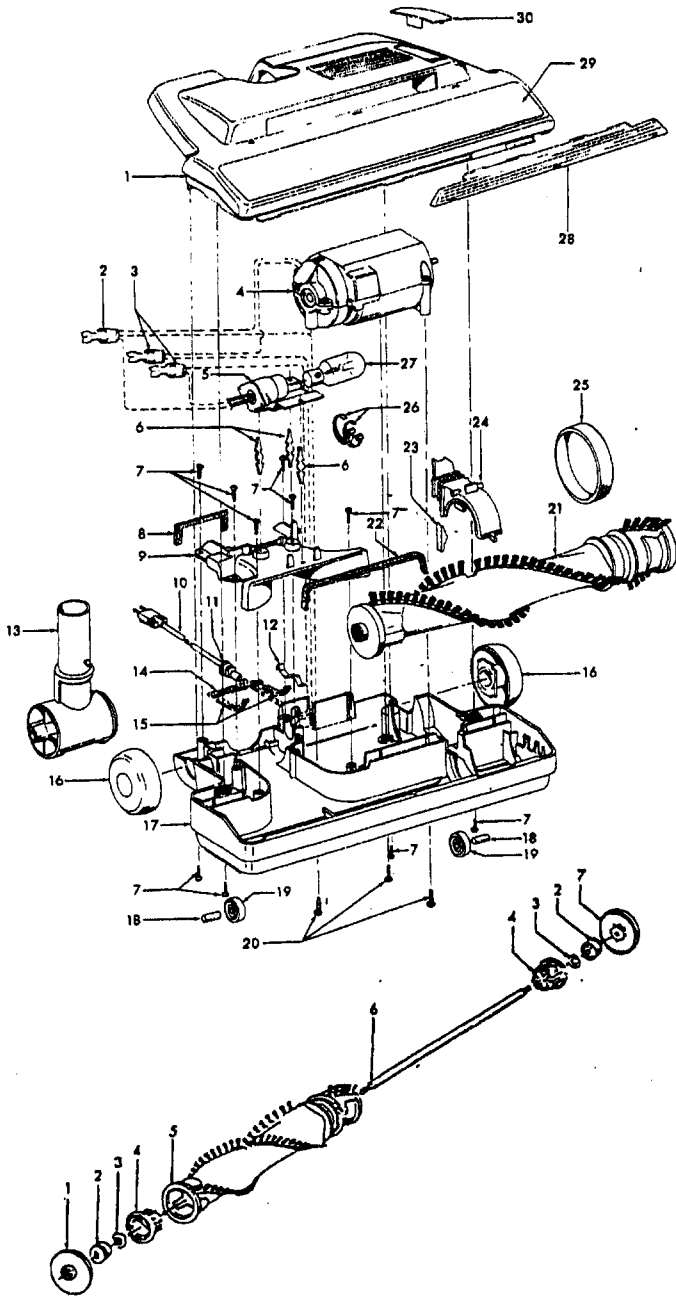


Powernozzle -

48438265 ABR - S3601
 48438090 ABY - S3607
 48438054 ABM - S3611
 48438266 AG - S3614

48438051 AAY- S3603-040, S3603
 48438047 ABM - S3609
 48438064 AG - S3613
 48438267 ADJ - S3606

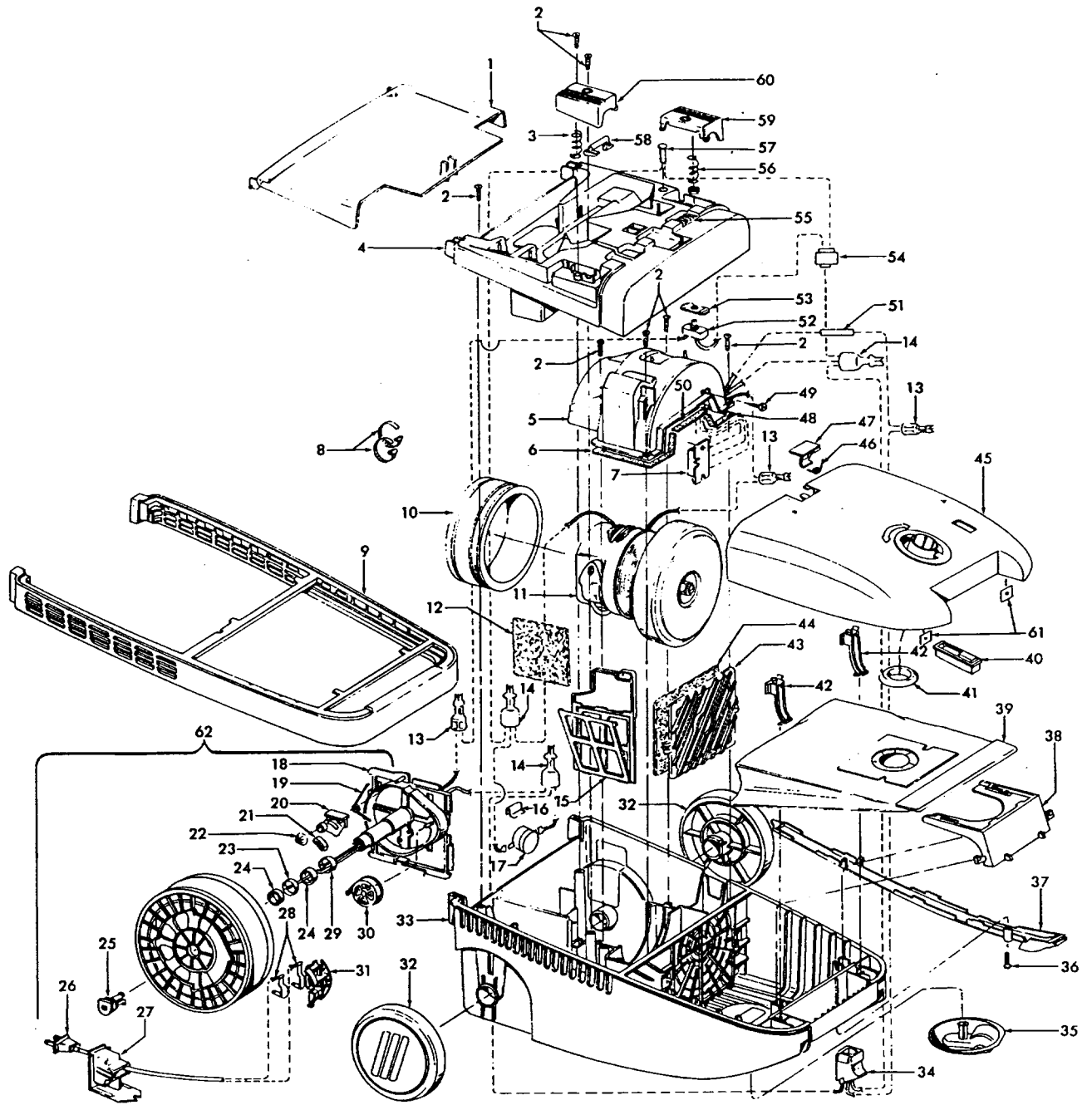
48438048- AG S3610, S3615
 48438082 ABM - S3620
 48438274 - AG - S3612



Ref. No.	Part No	Description
1	42252344	Nozzle Body Assem. - S3603, S3603-040 (incl. Items 28,29,30)
	42252345	Nozzle Body Assem. - S3609 (Incl. Items 28,29,30)
	42252346	Nozzle Body Assem. - AG -S3611, S3612, S3613, S3615, S3620 (Incl. Items 28,29,30)
	N/A	Nozzle Body Assem. - S3601,S3607, S3610, S3614 use 42252346
	37241163	Nozzle Body Assem. - S3606 (Incl. It. 28, 29, 30)
2	18972	Insulated Terminal
3	12227	Insulated Terminal (2)
4	43177062	Motor Assem. Comp.
5	47171020	Dirt Finder Socket Assem.
6	36218016	Isolation Grommet - AG (3)
7	21447003	* Screw - Self Tapping (10)
8	34253018	+ Rear Seal
9	42256099	+ Duct Cover Assem. (Incl. Items 5,6,8,22)
10	46521021	Cord Assem. - 3W - AG
	46321009	Cord Assem. - 2W - S3601, S3607, S3614 S3612
11	163768	Strain Relief Bushing
12	35276008	Detent Spring
13	43482106	Nozzle Conn. Assem. - AG
14	34112007	* Seal
15	34122014	* Seal (2)
16	43244043	Wheel Assem. AG (2)
17	42246114	Base Plate Assem. - ABR (Incl. Items 18,19)
	42246115	Base Plate Assem. - AG (Incl. Items 18, 19)
18	31522004	Wheel Shaft - AY (2)
19	32761001	Wheel - AG (2)
20	21479801	* Screw - Self Tapping (3)
21	48414081	Agitator Assem. Comp.
22	34123039	* Duct Cover Seal
23	13261AY	* Rug Nozzle Rib Shoe
24	36923008	Belt Guard
25	38528011	Belt
26	27479307	* Lead Wire Tie
27	27317307	Dirt Finder Lamp
28	39383105	+ Dirt Finder Lens - AAN
29	52125135	Nameplate
	52125141	Nameplate - S3603-040, S3610, S3611 S3620, S3606
	52125149	Nameplate - S3614
	N/A	Nameplate - S3613
	N/A	Nameplate - S3612
30	48111010	Belt Lens
	39383096	Belt lens Cover - S3606

ITEMS NOT ILLUSTRATED
 39385007

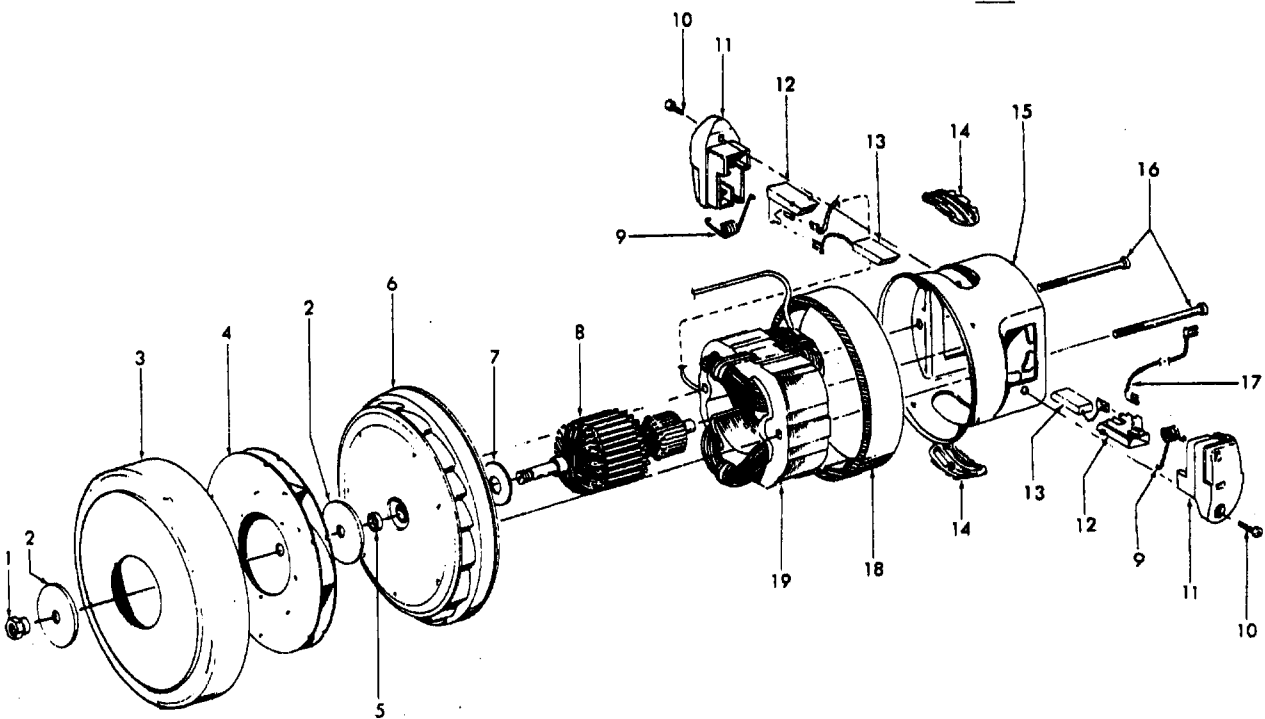
		Reflector
Agitator 48414081		
1	36423016	Thread Guard - RH
2	43267002	Agitator Bearing Assem. (2)
3	21347003	* Conical Washer (2)
4	36422022	Agitator End (2)
5	N/A	Agitator Body
6	32724013	+ Agitator Shaft
7	36423017	Thread Guard - LH - AG



PowerMAX

Model S3611, S3615, S3620

Ref. No.	Part No.	Description	Ref. No.	Part No.	Description
1	37215180	Tool Lid - AAN	45	42212135	Bag Lid Assem. - Common - AG -(Incl. Items 40,41,46,47,61) - S3611, S3615
2	21447217	* Screw (7)		42217135	Bag Lid Assembly - ABM - S3611 (Incl. Items 40, 41, 46, 47, 61)
3	38314024	Spring - FW		42217176	Bag Lid Assem. - ABM - S3620 (Inc. items 41, 46, 47)
4	41426130	Motor Cover - AG (Incl. Items 3,58,60)			
	41426107	Motor Cover - ABM - S3611 (incl. Items 3, 58, 60)	46	38351009	Torsion Spring - FW
	41426134	Motor Cover - ABM - S3620 (Inc. items 3, 58, 60)	47	36153040	Bag Lid Latch - AG - S3615, S3620
5	41312048	Motor Retainer Assem. (Incl. Items 6,7,48,49,50,51)		36153052	Bag Lid Latch - ABM - S3611
6	34633003	+ Retainer Seal - RH	48	34633002	Retainer Seal - LH
7		Included w/Item 5	49	21466732	+* Screw - Self Tapping
8	27479307	* Lead Wire Tie	50	34123040	* Retainer Seal - Center Incl. w/Item 5
9	36235083	Furniture Guard - ABR	51		
	36235069	Furniture Guard - AG - S3620	52	28212026	Switch - with Leads
10	36322031	Motor Mount		28218048	Switch - with Terminals
11	43576116	Motor Assem. (P-235)	53	34135014	Switch Mounting Plate
	43576186	Motor - S3611	54	27617106	Connector
	43576184	Motor - S3620 (P-266)	55	37941043	Rheostat Cover - AG
12	34174012	* Exhaust Filter		37941044	+ Rheostat Cover - ABM -S3611, S3620
13	12227	Insulated Terminal (2)	56	38314022	Spring - FW
14	18972	Insulated Terminal (2)		38314026	Spring - S3611, S3620
15	38769019	Exhaust Filter Cassette - AAU	57	27343250	Power Light
16	21378160	Retaining Clip - S3611, S3615	58	38458034	Cord Reel Brake Arm - AG
17	28382035	Thermal Protector - S3611, S3615	59	38422159	Switch Pedal - AG
18	N/A	Cord Reel Support - BZ		38422184	Switch Pedal - AG - w/o Post (Use with 28218048 Switch)
19	N/A	Torsion Spring - FW		38422186	Switch Pedal - w/o Post - ABR - S3611
20	N/A	Brake Lever Assem. - AAP	60	38422171	+ Cord Reel Pedal - ABR
21	N/A	Brake Pad		38422155	Cord Reel Pedal - AG - S3620
22	N/A	Push Nut	61	21378159	Speed Clip (2)
23	N/A	Slip Ring Assem. - White	62	41911014	Cord Reel Assem.
24	N/A	Spacer - BZ (2)			
25	N/A	Retainer - AG		56513333	+ Owner Manual
26	46383288	Attachment Cord Assem. - AG		56513345	Owner Manual - S3620
27	36218018	Ferrule - AG		58175088	+ Carton
28	N/A	Contact Spring (2)		58175103	+ Carton - S3611
29	N/A	Slip Ring Assem. - Black		58175127	Carton - S3620
30	N/A	Spool & Spring Assem.		58211011	Bottom Support - Front
31	N/A	Brush Holder		58211012	+ Bottom Support - Rear
32	38522065	Wheel - AG (2)		58216013	+ Top Support
33	42215059	Main Body Assem. - AG (Incl. Items 9,16,17,34,36,37)	CLEANING TOOLS (P - 240)		
	42215089	+ Main Body Assem. - S3611 (Incl. Items 9, 16, 17, 34, 36, 37)		38617017	Crevice Tool - AG
	42215062	Main Body Assem. - ABM - S3620 (Inc. items 9, 34, 37)		43414141	Furniture Nozzle - ABR
34	46526015	Receptacle Assem. - AG		43414057	Furniture Nozzle - AG
35	41432040	Wheel Carrier Assem. - AG		43414064	Dusting Brush - AG
36	21434288	+* Screw - Self Tapping		43414073	Floor Brush - AG
37	36218020	Cord Channel Cover - AG		43453052	Extension Tube - 20 - AX - S3611, S3620
38	36424010	Bag Collar Support - AG		43453095	Extension Tube - AX
39	4010100S	Throw Away Bag Assem. - Micro Filtration		43453098	Extension Tube - AX - 20 -S3611, S3620
40	51151027	Bag Indicator Assem. Comp. - JM/CP		43433115	Hose - 3W - AG
	51151010	Bag Indicator Assem. Comp. - S3620		48438048	Power Nozzle - AAY- S3615 (P - 280)
41	36424012	Bag Collar Seal - AG		48438054	Power Nozzle - ABM - S3611 (P-280)
42	36151027	Bag Lid Hinge (2)		48438082	+ Power Nozzle - AG - S3620 (P-280)
43	37944005	Filter Retainer - AG			
44	38765009	Secondary Filter			

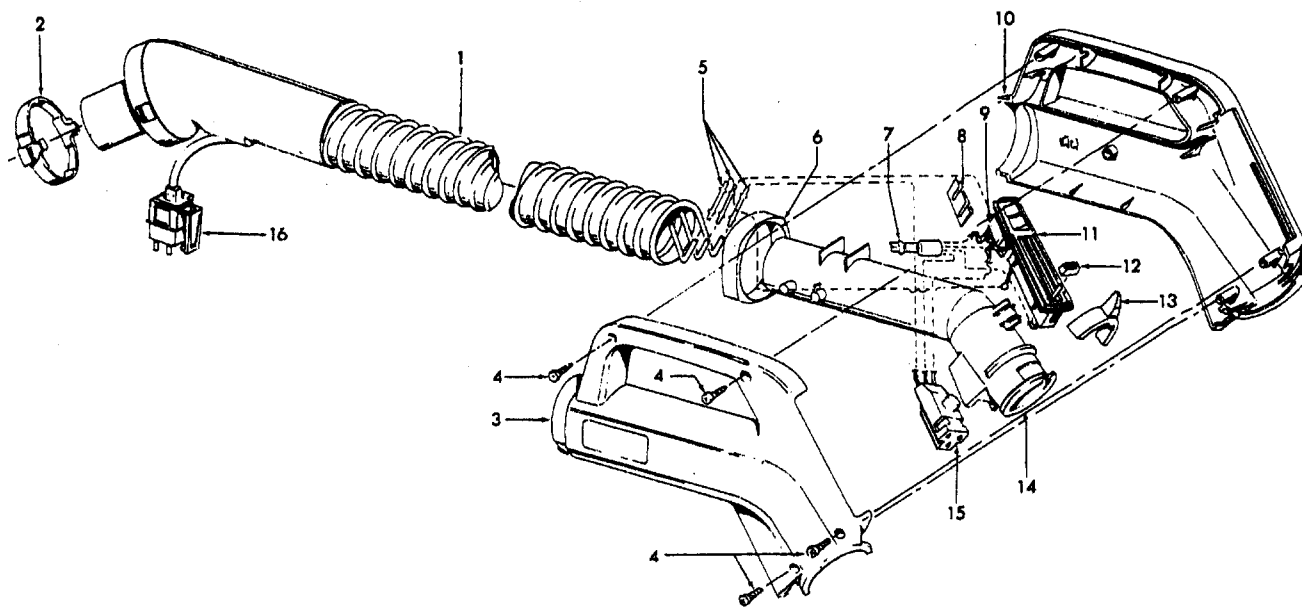


Ref. No.	Part No.	Description
	43576184	Motor Assem. (Molded Diffuser)
	43576192	Motor Assem. - S3630, S3639, S3646, S3646-020, S3649, S3655, S3661
1	12028--	+ Nut
2	21312774	+ Washer - FW (2)
3	37196065	Fan Cover
4	43551008	Fan
5	31148009	Bearing Spacer (Use w/Die Cast Diffuser)
	31148011	Bearing Spacer (Use w/Molded Diffuser)
6	43551029	+ Diffuser Assem. Comp. (Molded)
7	31165003	+* Bearing Retainer Plate (Die Cast Diffuser)
8	44765138	Armature Assem.
	44765241	Armature Assem. - S3630, S3646, S3655
9	38353004	Spring (2)
10	21429406	* Screw (2)
11	167696AG	Brush Carrier (2)

Ref. No.	Part No.	Description
12	N/A	Brush Holder (2) - Use Brush Carrier Assem. 47318008 (Incl. lt. 9, 11, 12, 13)
13	167681 47315011	Motor Brush Assm. (2) Motor Brush Assm. (2) - S3630, S3646, S3655
14	169702BZ	+ Bushing (2)
15	42193025	Motor Housing Assm.
16	36112006	Field Lamination Bolt (2) (Die Cast Diffuser)
	21447222	+ Field Lamination Bolt (2) (Phenolic Diffuser)
	21479573	Screw (2) - S3630, S3646, S3655
17	46176001	Lead Wire Assm.
18	36322031	Motor Gasket
19	45311051	Field Assm.




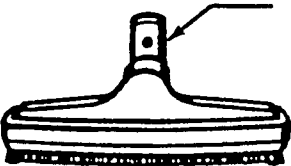



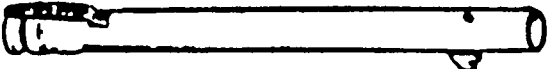
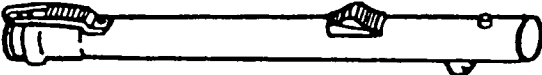
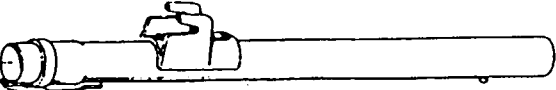
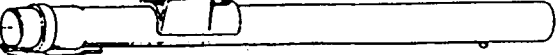

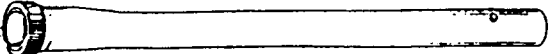
Hose Assembly - PowerMAX
Hose Assembly - WindTunnel Ultra Canister

Model S3611, S3615, S3620
Model S3649, S3655, S3661



Ref. No.	Part No.	Description
	43433119	Hose Assem. 3W (Replaced 43433115)
2	36153038	Hose Release Latch
3	39461016	Hose Grip - RH - ABR
	39461018	Hose Grip - RH - AG - S3620, S3655, S3661
4	21447124	+* Screw - Self Tapping (4)
5	27613002	Splice (3)
	31712006	* Insulating Sleeve (3)
6	36131087	Retaining Ring - ABR
7	18972	Insulated Terminal
8	36913030	* Insulator
9	28267001	Switch
10	39461015	Hose Grip - LH - ABR
	39461017	Hose Grip - LH - AG - S3620, S3655, S3661
11	47551014	+ Grip Control Panel Assem. (incl. Items 9,12)
	51438003	Nameplate - Grip Control Panel
12	38421041	+ Button - AAU
13	36153029	Latch Ring - AG
14	38646034	Inner Tube - AG
15	46526004	Connector
16	36152029	Plug Latch - AG
	40300052	Cord Repair Kit - 3W

Cleaning Tools - Futura, Spectrum, Dimension, WindTunnel

	38617017 Crevice Tool - AG
	43414057 Furniture Nozzle - AG 43414141 Furniture Nozzle - ABR
	43414064 Dusting Brush - AG
	38644020 Swivel Connector - AG 38644040 Swivel Connector - AAP
	43414073 Floor Brush - AG
	48447001 + Brush Back
	36172584 Cord/Wand Clip
	43453052 Ext. Tube - 20 - AX 43453027 Ext. Tube 43453058 + Ext. Tube - BL 20 w/o Cord Clip
	43453023 Ext. Tube - AX 20
	43453095 Ext. Tube - AX 20 (Black Storage Clip) (Spectrum)
	43453098 Ext. Tube - AX 20 (Gray Storage Clip) (Futura)
	43453099 Ext. Tube - AX 20 (Black Storage Clip) (WindTunnel Canister)
	3863801P Extension Tube - Poly - AG