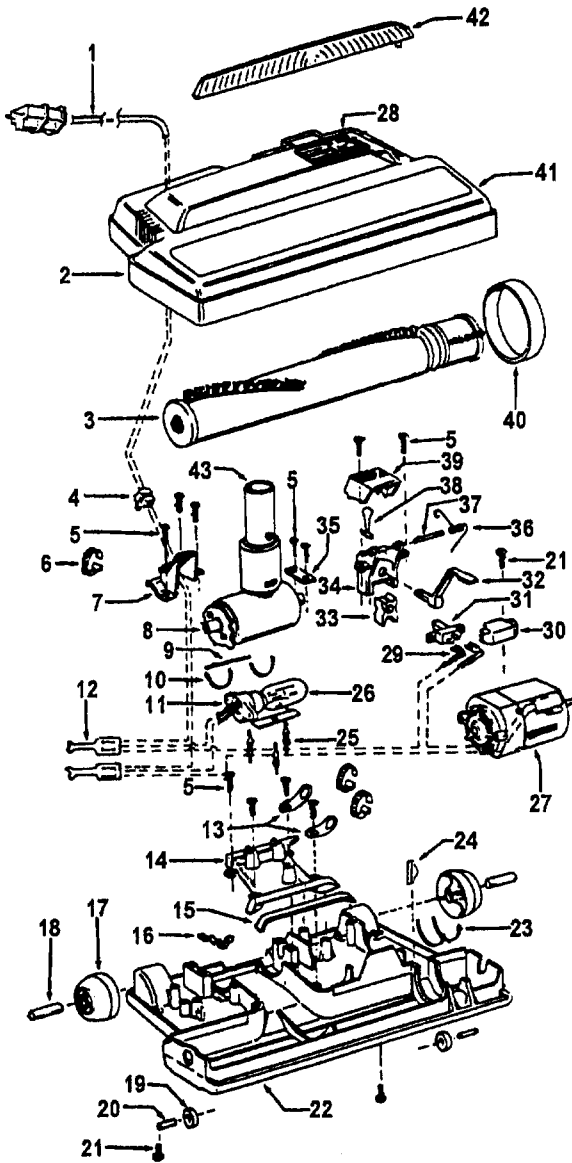
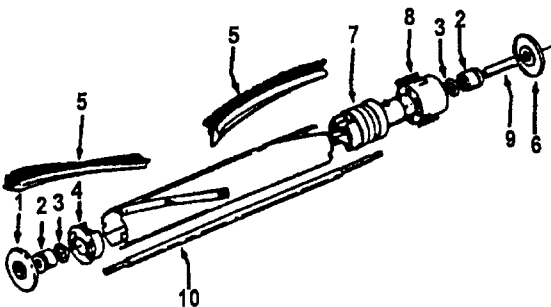


Power Nozzle - 48438226 - AG - S3575, S3585



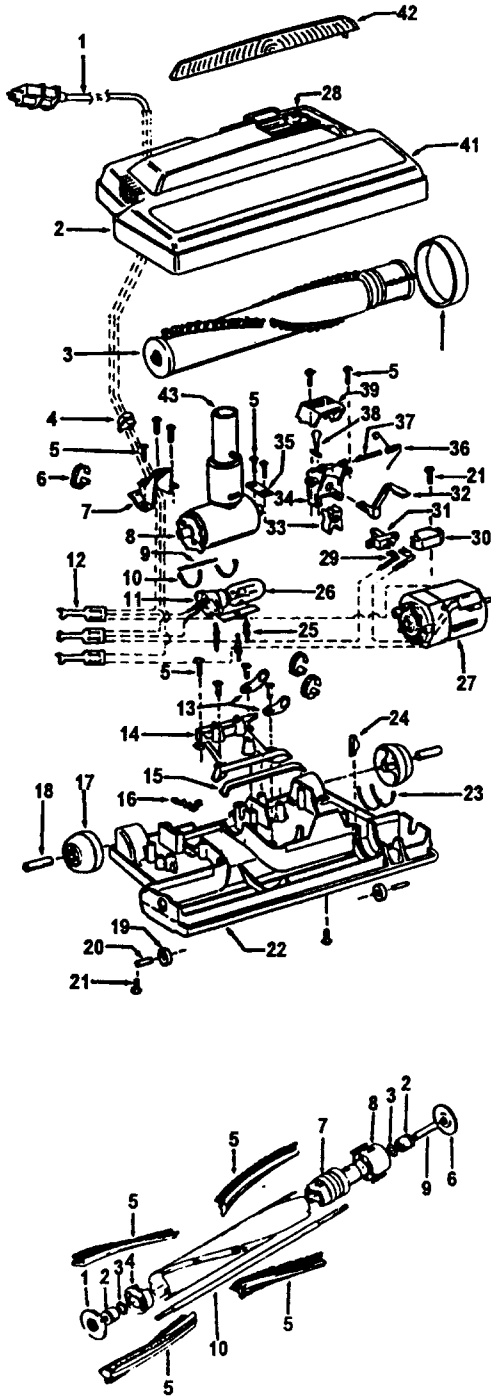
Ref. No.	Part No.	Description
1	46321009	Cord
2	36231144	+ Furniture Guard - ZW - S3575
	36231096	Furniture Guard - MY - S358
3	48414044	+ Agitator - 2B (Use 4B - 48416030)
4	163768	Strain Relief Bushing
5	21447041	* Screw
6	27479307	* Wire Tie
7	36131067	Retainer Housing
8	43461021	Nozzle Connector - AG
9	34112005	* Seal
10	34337003	* Seal
11	47171009	+ Lamp Socket
12	18972	Insulated Terminal (3 Wire)
13	45517	* Wire Holder
14	42256098	Duct Cover
15	34123017	* Seal
16	35276001	* Detent Spring
17	32175025	Wheel - AG
18	31523005	Wheel Shaft
19	32761001	Wheel
20	31522004	Wheel Shaft
21	21447007	* Screw
22	42246121	Base Plate Assm. (Incl. Items 17,18,19,20,23,24)
23	34337004	* Lower Seal
	34378010	* Upper Seal
24	13261AY	* Rib Shoe
25	36218005	Grommet
26	27317307	Dirt Finder Bulb - 15W
27	43177073	Motor Assm.
28	51865018	Indicator Lens
29	27666702	* Terminal
30	37258082	Terminal Shield
31	281770KD	Switch
32	51151053	Indicator - PH
33	34361001	Switch Actuator
34	42262032	Housing
35	36131017	* Retainer
36	38353007	Torsion Spring
37	31523006	Pivot Pin
38	38458002	* Depressor
39	38433082	Switch Pedal - ZW - S3575
	38433067	+ Switch Pedal - MW - S3585
40	38528011	Belt
41	42252189	Nozzle Body - AG
42	39383060	Lens
43	43457037	Swivel Tube - AG

Agitator 48416030



1	48495AY	Thread Guard
2	43267002	Bearing
3	21347003	* Washer
4	36422001	End
5	48445017	Agitator Brush
6	41435018	Thread Guard
7	38537008	End Pulley
8	48418001	Brush Ring
9	31722019	Spacer
10	32724005	Shaft

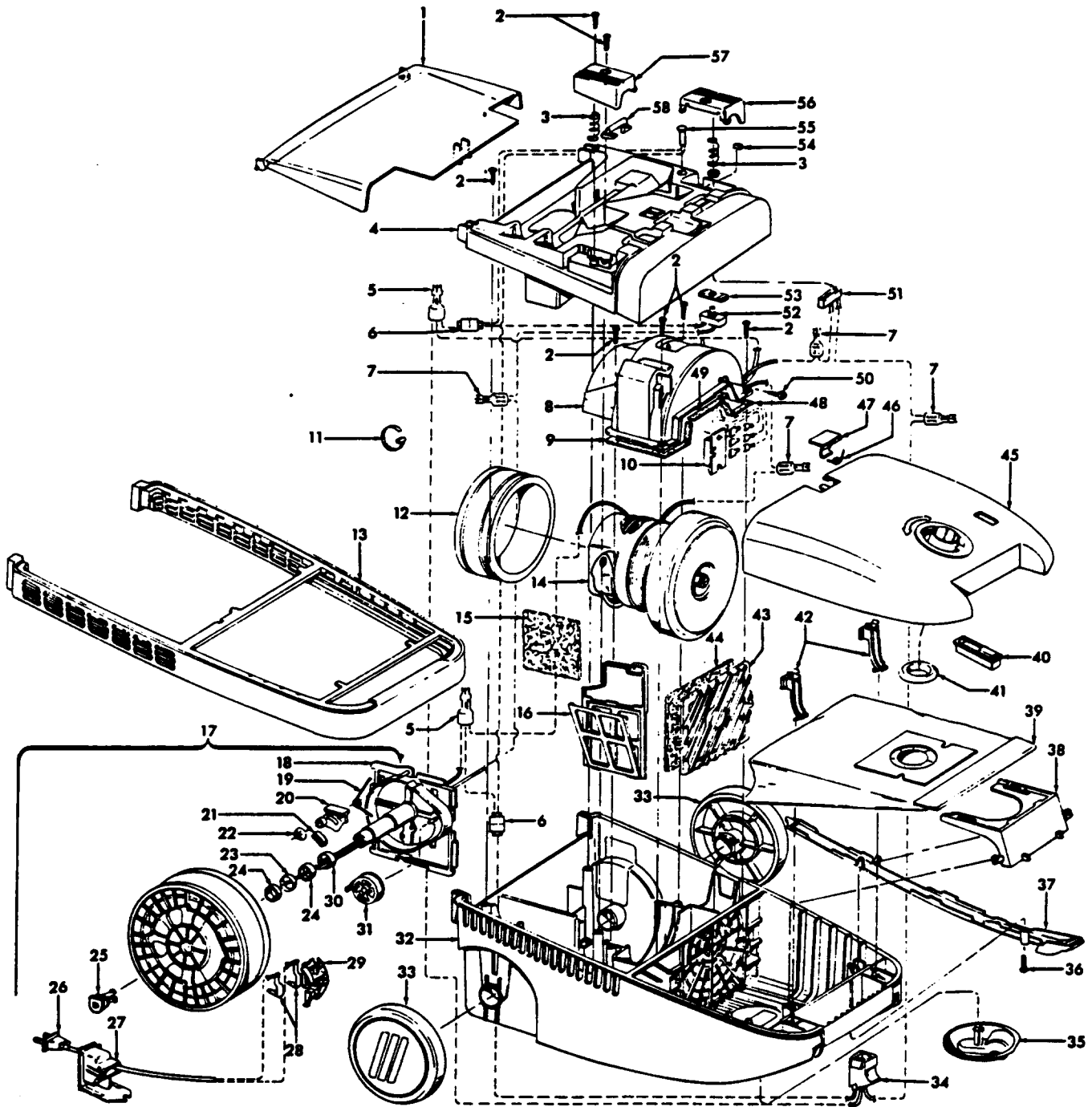
Power Nozzle - + 48438237 ABA



Ref. No.	Part No.	Description
1	46521021	Cord
2	36231145	+ Furniture Guard - ABA - S3595
	36231146	+ Furniture Guard - NAA - S3605
3	48416030	Agitator - 4B
4	163768	Strain Relief Bushing
5	21447041	* Screw
6	27479307	* Wire Tie
7	36131067	Retainer Housing - AG
8	43461021	Nozzle Connector - AG
9	34112005	* Seal
10	34337003	* Seal
11	47171009	+ Lamp Socket
12	18972	Insulated Terminal
13	45517	* Wire Holder
14	42256098	Duct Cover
15	34123017	* Seal
16	35276001	* Detent Spring
17	32175025	Wheel - AG
18	31523005	Wheel Shaft
19	32761001	Wheel
20	31522004	Wheel Shaft
21	21447007	* Screw
22	42246121	Base Plate Assm. (Incl. Items 17, 18, 19, 20, 23, 24)
23	34337004	* Lower Seal
	34378010	* Upper Seal
24	13261AY	* Rib shoe
25	36218005	Grommet
26	27317307	Dirt Finder Bulb - 15W
27	43177063	Motor Assm.
28	51865018	Indicator Lens
29	27666702	* Terminal
30	37258082	Terminal Shield
31	281770KD	Switch
32	51151053	Indicator - PH
33	34361001	Switch Actuator
34	42262032	Housing
35	36131017	* Retainer
36	38353007	Torsion Spring
37	31523006	Pivot Pin
38	38458002	* Depressor
39	38433083	Switch Pedal - ABB - S3595
	38433084	Switch Pedal - NAA - S3605
40	38528011	Belt
41	42252254	Nozzle Body - ABA - S3595
	42252253	Nozzle Body - AAY - S3605
42	39383060	Lens
43	43457037	Swivel Tube - AG

Agitator 48416030

1	48495AY	Thread Guard
2	43267002	Bearing
3	21347003	* Washer
4	36422001	End
5	48445017	Agitator Brush
6	41435018	Thread Guard
7	38537008	End Pulley
8	48418001	Brush Ring
9	31722019	Spacer
10	32724005	Shaft



Motor Assembly

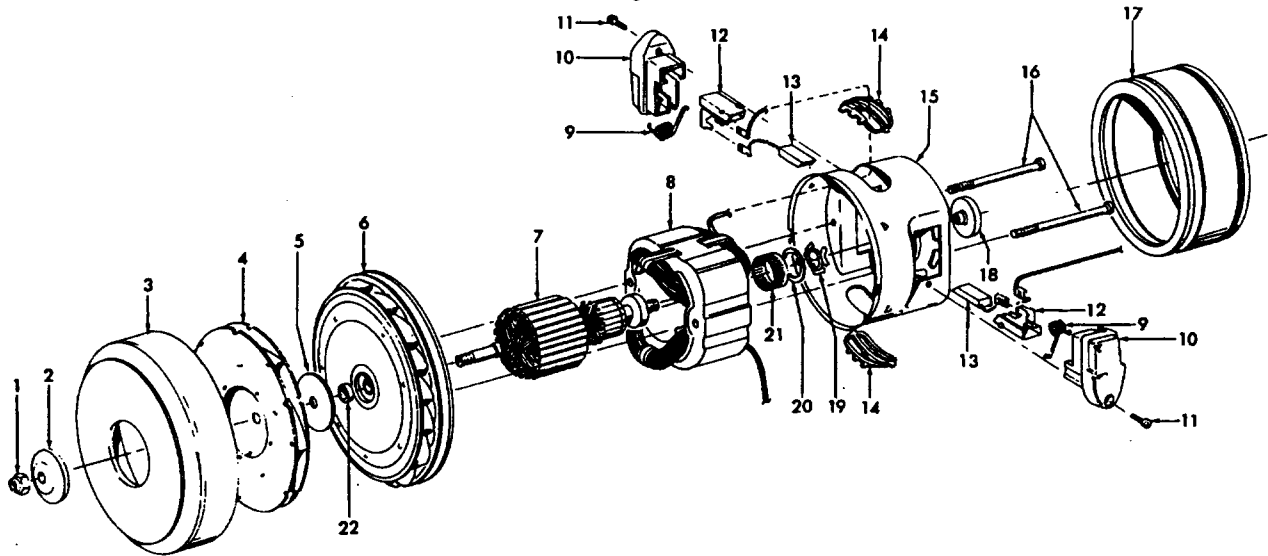
Models S3515, S3555, S3565, S3575, S3585,
S3595, S3603, S3605, S3609, S3615

S3515 (8.0 Amps)

S3555 (10.5 Amps)

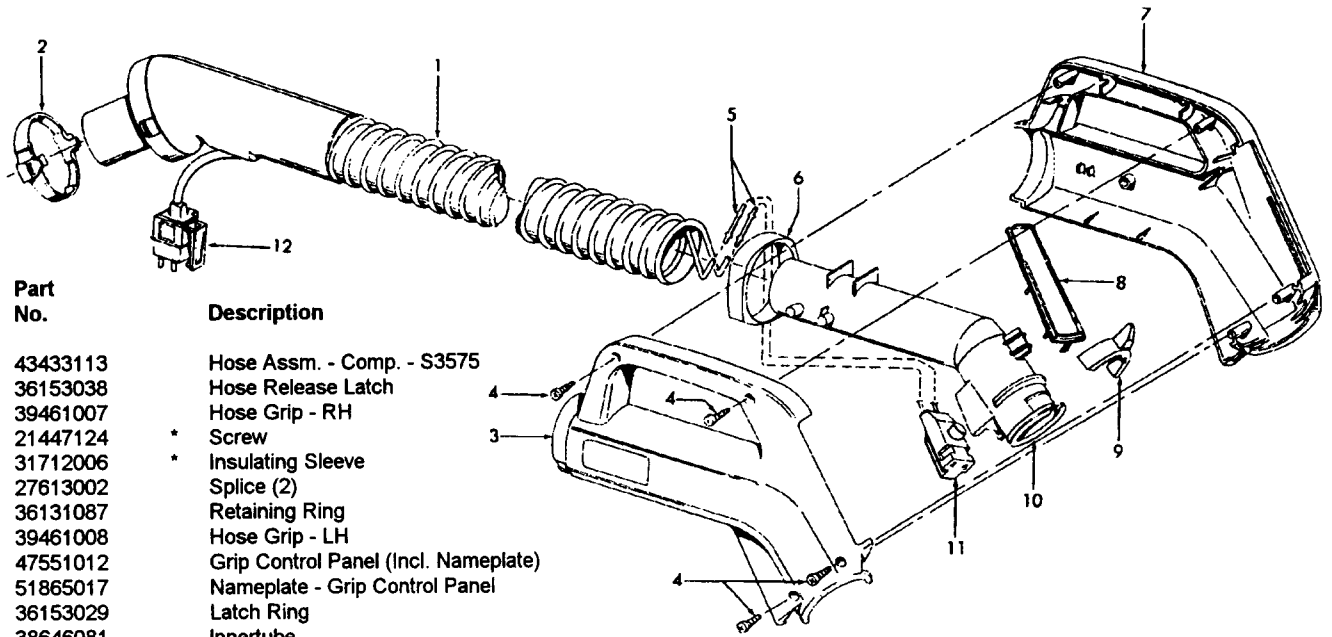
S3565 (10.5 Amps)

Note: Refer to Data Label on cleaner for
reference to Amp Rating.

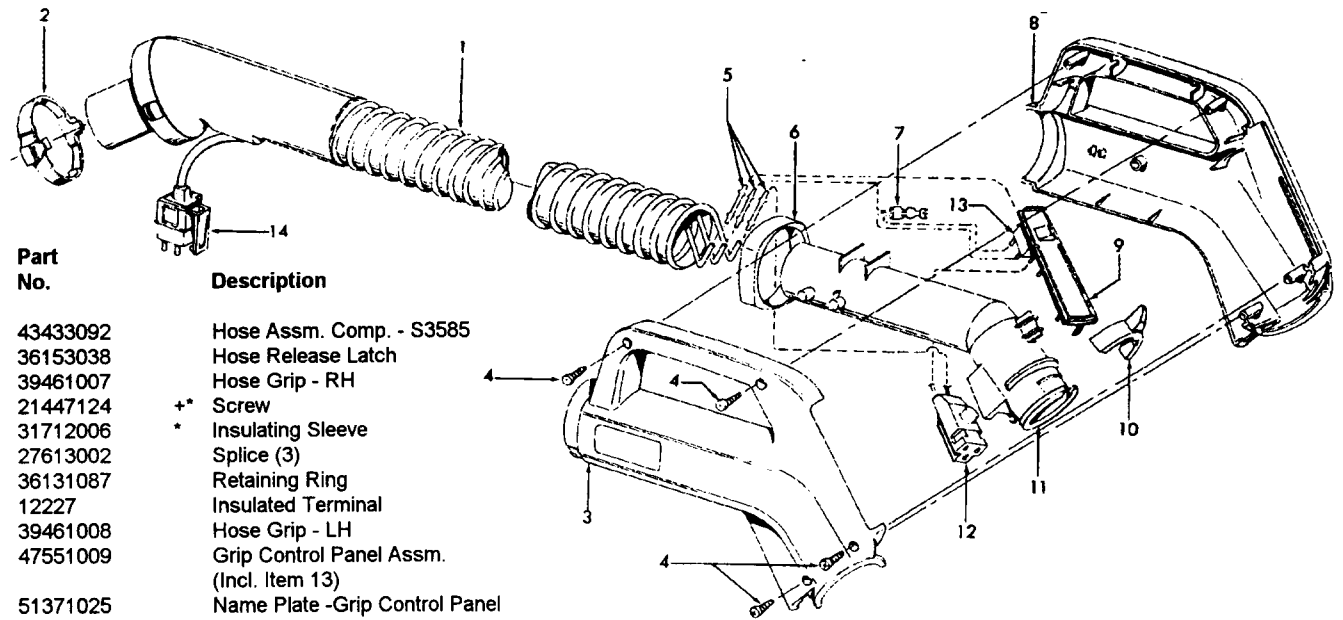


Ref. No.	Part No.	Description
	43576116	Motor Assm.
1	12028	+ Nut
2	21312774	+ Washer
3	37196065	Fan Cover
4	43551008	Fan Assm.
5	21312774	Washer - FW
6	43551030	Diffuser Assm. Comp.
7	44765230	Armature Assm. Comp.
8	45311069	+ Field Assm. Comp.
9	38353004	Spring (2)
10	168038AG	Brush Carrier (2)
11	21429406	* Screw - Self Tapping - EF (2)
12	168506-	Brush Holder (2)

Ref. No.	Part No.	Description
13	167679	Brush & Terminal Assm.
14	169702BZ	+ Bushing (2)
15	42192015	Motor Housing Assm.
16	36112003	+* Screw - Special (2) (Metal Diffuser)
	21447221	Screw (Plastic Diffuser)
17	36322031	Motor Mount
18	36116023	+ Balancing Ring - Nut - AY
19	21312778	+* Spring Washer
20	21345116	+ Thrust Washer
21	24198002	Star Ring
22	31148009	Bearing Spacer - AY



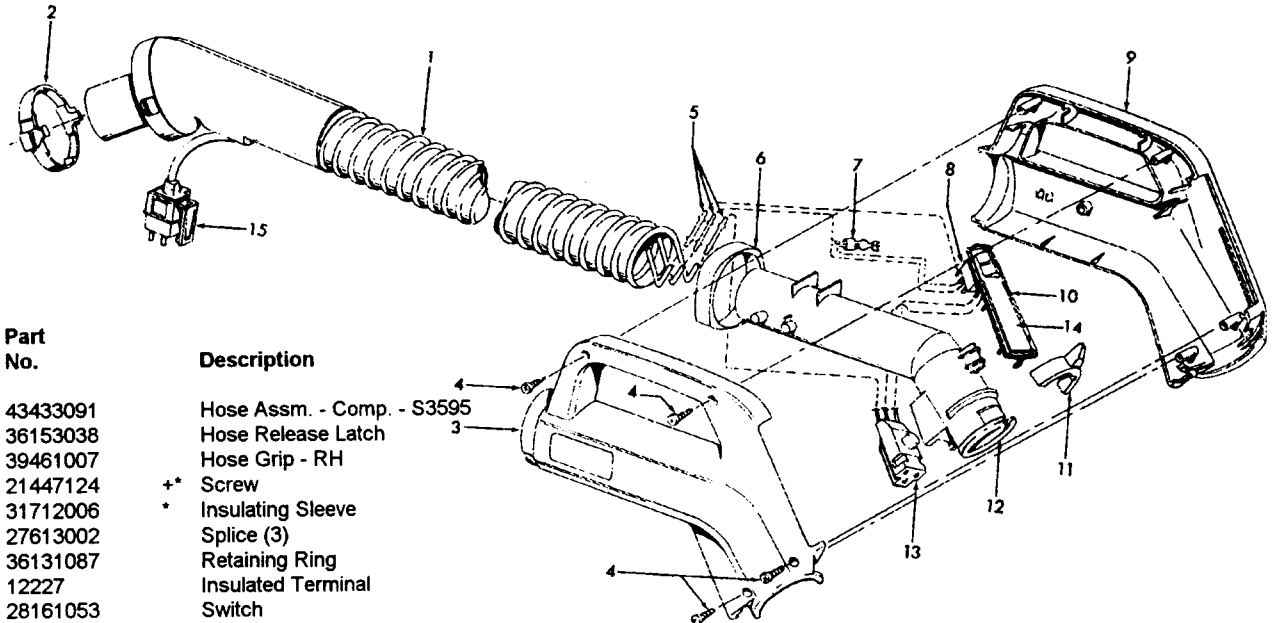
Ref. No.	Part No.	Description
1	43433113	Hose Assm. - Comp. - S3575
2	36153038	Hose Release Latch
3	39461007	Hose Grip - RH
4	21447124	* Screw
5	31712006	* Insulating Sleeve
	27613002	Splice (2)
6	36131087	Retaining Ring
7	39461008	Hose Grip - LH
8	47551012	Grip Control Panel (Incl. Nameplate)
	51865017	Nameplate - Grip Control Panel
9	36153029	Latch Ring
10	38646081	Innertube
11	46325032	Connector
12	36152029	Plug Latch
	40300051	Cord Repair Kit - 2W



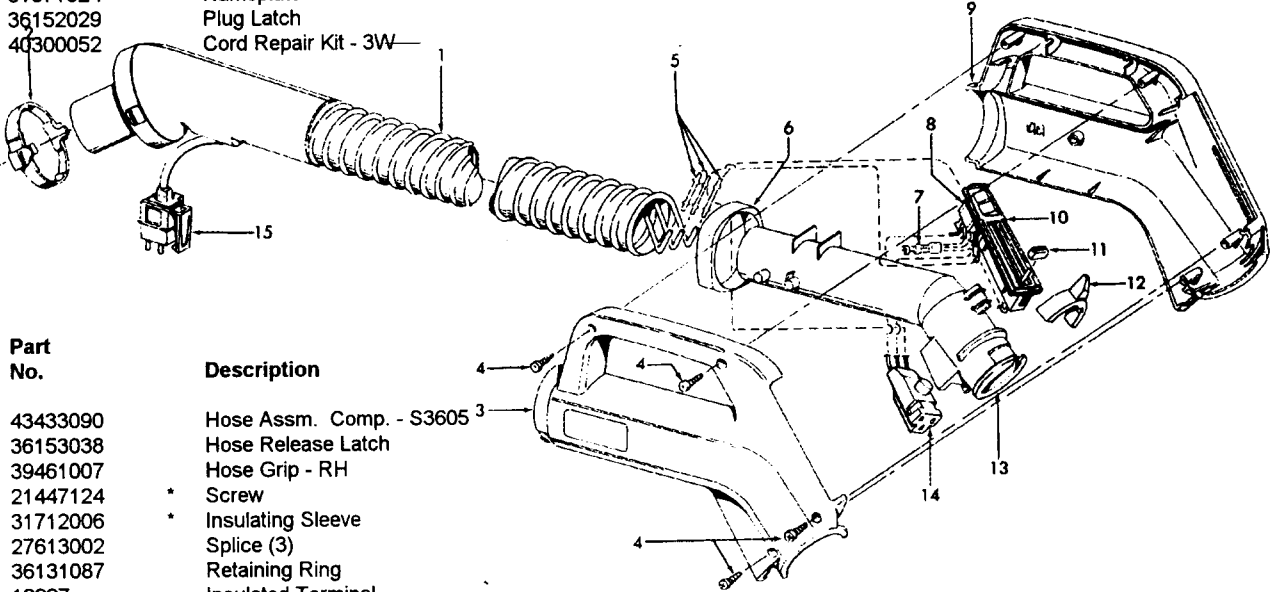
Ref. No.	Part No.	Description
1	43433092	Hose Assm. Comp. - S3585
2	36153038	Hose Release Latch
3	39461007	Hose Grip - RH
4	21447124	+* Screw
5	31712006	* Insulating Sleeve
	27613002	Splice (3)
6	36131087	Retaining Ring
7	12227	Insulated Terminal
8	39461008	Hose Grip - LH
9	47551009	Grip Control Panel Assm. (Incl. Item 13)
	51371025	Name Plate -Grip Control Panel
10	36153029	Latch Ring
11	38646034	Inner Tube
12	46325031	Connector
13	28161051	Switch
14	36152029	Plug Latch
	40300052	Cord Repair Kit - 3W

Hose Assembly

Models S3595, S3605




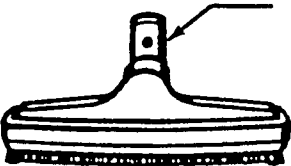



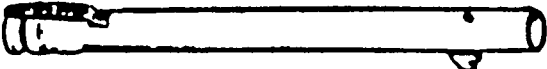
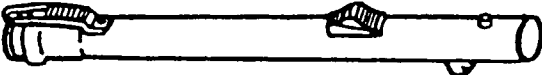
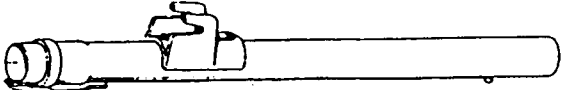
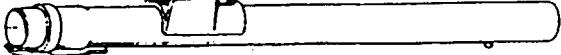

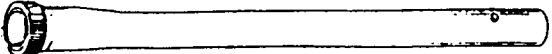


Ref. No.	Part No.	Description
1	43433091	Hose Assm. - Comp. - S3595
2	36153038	Hose Release Latch
3	39461007	Hose Grip - RH
4	21447124	+* Screw
5	31712006	* Insulating Sleeve
	27613002	Splice (3)
6	36131087	Retaining Ring
7	12227	Insulated Terminal
8	28161053	Switch
9	39461008	Hose Grip - LH
10	47561009	Grip Control Panel Assm. (incl. Items 8,14)
11	36153029	Latch Ring
12	38646034	Inner Tube
13	46325030	Connector
14	51371024	+ Nameplate
15	36152029	Plug Latch
	40300052	Cord Repair Kit - 3W



Ref. No.	Part No.	Description
1	43433090	Hose Assm. Comp. - S3605
2	36153038	Hose Release Latch
3	39461007	Hose Grip - RH
4	21447124	* Screw
5	31712006	* Insulating Sleeve
	27613002	Splice (3)
6	36131087	Retaining Ring
7	12227	Insulated Terminal
8	28161053	Switch
9	39461008	Hose Grip - LH
10	47561010	Grip Control Panel Assm. (Incl. Item 8,11)
	51438001	Nameplate -Grip Control Panel
11	38421041	+ Button
12	36153029	Latch Ring
13	38646034	Inner Tube
14	46325030	Connector
15	36152029	Plug Latch
	40300052	Cord Repair Kit - 3W

Cleaning Tools - Futura, Spectrum, Dimension, WindTunnel

	38617017 Crevice Tool - AG
	43414057 Furniture Nozzle - AG 43414141 Furniture Nozzle - ABR
	43414064 Dusting Brush - AG
	38644020 Swivel Connector - AG 38644040 Swivel Connector - AAP
	43414073 Floor Brush - AG
	48447001 + Brush Back
	36172584 Cord/Wand Clip
	43453052 Ext. Tube - 20 - AX 43453027 Ext. Tube 43453058 + Ext. Tube - BL 20 w/o Cord Clip
	43453023 Ext. Tube - AX 20
	43453095 Ext. Tube - AX 20 (Black Storage Clip) (Spectrum)
	43453098 Ext. Tube - AX 20 (Gray Storage Clip) (Futura)
	43453099 Ext. Tube - AX 20 (Black Storage Clip) (WindTunnel Canister)
	3863801P Extension Tube - Poly - AG