

Ref. No.	Part No.	Description
1	21447041	* Screw
2	42219044	Motor Cover / Control Panel - JM (Lg. Panel)
3	34163003	Diffuser
4	21366004	* Speed Nut
5	38422073	Switch Pedal - AG
6	38314002	Spring
7	34133007	Seal
8	34132006	+ Pad
9	34143002	Seal
10	43577109	Motor - (P-111)
11	48969	* Wire Nut
12	38458008	Brake Arm
13	38353009	+ Spring
14	37215170	+ Cord Reel Support - AG
15	36222008	Brake Pad
16	21447003	* Screw - 5/8
	21447072	* Screw - 7/8
17	47348076	Brush Block
18	46383311	Attach. Cord - AAP - 20
19	46831106	Cord Reel - AAP
20	38511015	Wheel Bearing - AG
21	38522061	Wheel
23	41432040	Wheel Carriage - AG
25	37231020	Main Body - M
26	36151015	Latch
27	4010028K	Paper Bag - 3 Pk.
28	31114009	Filter
29	36426012	Support
30	36321011	Motor Retainer
31	21447072	* Screw
32	34287021	Exhaust Muffler
33	38422124	Cord Reel Pedal - AG
34	28212026	Switch
35	42219044	Motor Cover / Control Panel - JM (Lg. Panel)
36	21447027	+* Screw
37	36172046	Spring Clip
38	51151010	Bag Indicator
39	38781010	Lid Seal
40	42212031	Bag Housing Lid - LZ
41	51375064	+ Nameplate

ITEMS NOT ILLUSTRATED

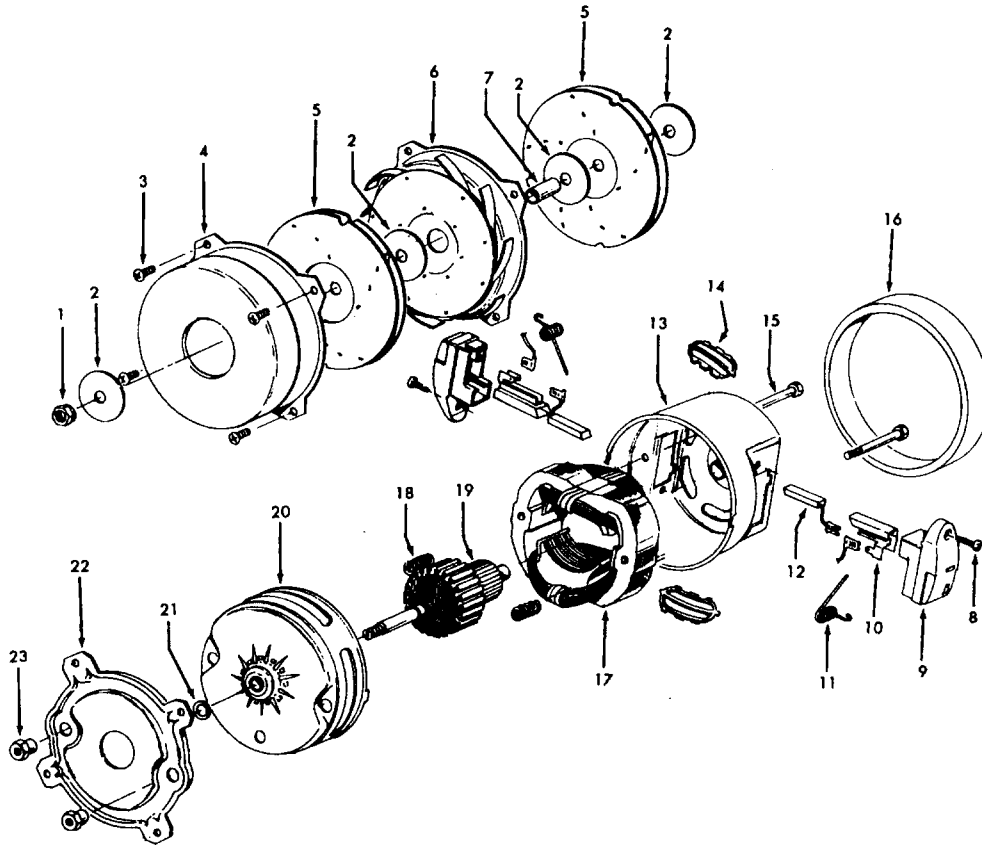
56513208	Owner Manual
58173374	+ Carton
58353007	+ Top Support
58461020	+ Rear Support
58364013	+ Front Support
58216008	+ Bottom Support
46831076	Commutator (Comp. of Cord Reel Assm.)

CLEANING TOOLS - (P-93)

43414073	Floor Brush
43414057	Furniture Nozzle
43414064	Dusting Brush
38617017	Crevice Tool - AG
43434013	CL. Tool Hose Assem.
3863801P	Extension Tube Poly - AG
48476066	+ Rug & Floor Nozzle JM - (P-94) (Use 43414101)

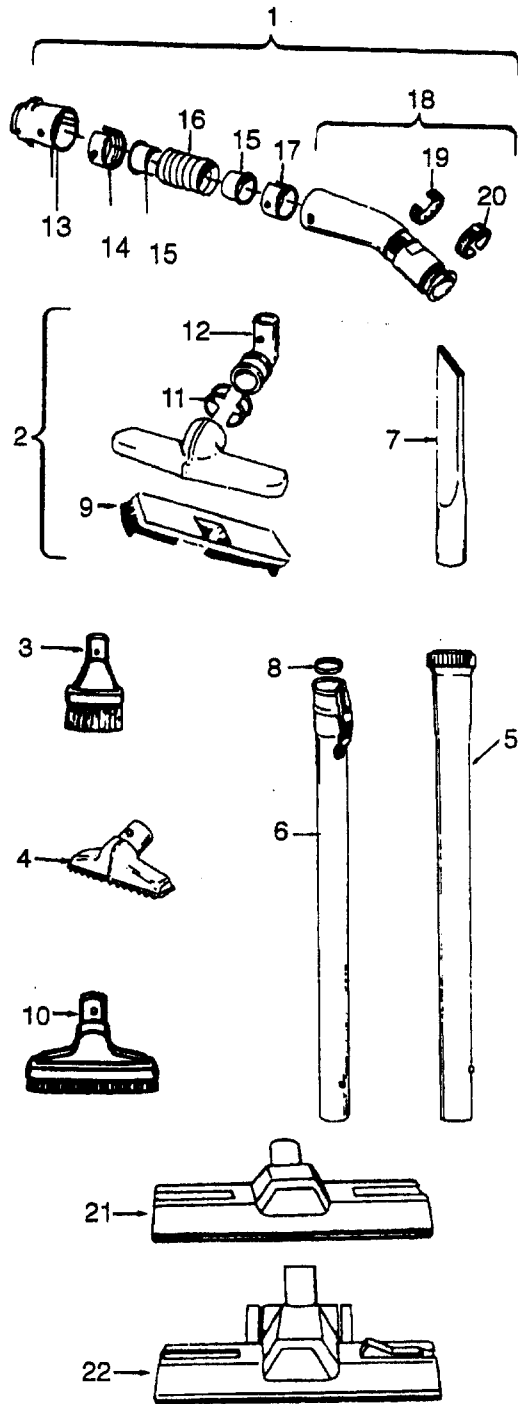
Motor

Model S3203, S3205, S3207, S3209, S3211, S3213, S3241, S3243, S3245, S3247, S3257, S3261, S3263, S3265, S3267 S3291, S3293, S3295, S3401, S3403, S3433



MOTOR 43577109 - (1.7)

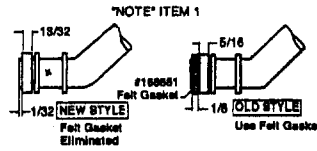
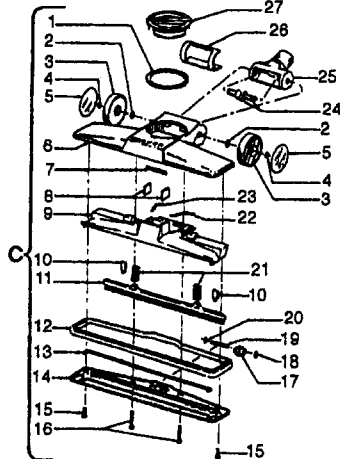
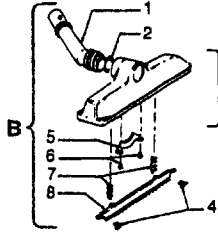
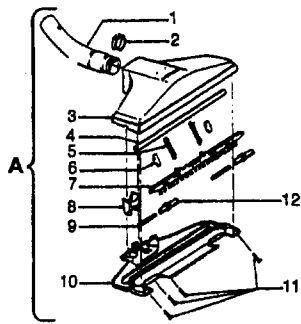
Ref. No.	Part No.	Description
1	33426001	Nut
2	21312701	* Washer
3	21434224	+* Screw
4	37191016	Outerstage Housing
5	43566017	Fan
6	43551005	Interstage
7	31742010	Spacer
8	21429406	* Screw
9	167696AG	Brush Carrier
10	N/A	Brush Holder - Use Brush Carrier Assem. - 47318008 (Inlc. It. 9 - 12)
11	38353004	Spring
12	167681	Carbon Brush
13	42937003	Motor Housing - Upper
14	169702BZ	+* Bushing
15	33421004	+ Bolt
16	31195002	Insulator
17	45311035	Field Coil
18	167721FW	Spring
19	44765171	Armature
20	37191085	Motor Housing - Lower
21	31148002	Spacer
22	36322002	Mounting Plate
23	167695EF	Nut



Ref. No.	Part No.	Description
1	43434191	Hose - JM - S/C - 6'Wire - Celebrity
	43434155	+ Hose - JM - S/C - 6'Wire - Spirit
	43434013	Hose Assem. - Stretch (not pictured)
	43434065	+ Hose - JM - 6'Wire - Spirit
	43434130	+ Hose - JM - 7.5'Molded - Spirit
	43434131	+ Hose - AAP - 7.5'- Molded - Spirit
	43434125	+ Hose - AAP - S/C - 7'- Molded - Spirit
	43434126	+ Hose - AAV - S/C - 6'- Molded - Spirit
	43434231	Hose - AAP - 6'- Molded - Spirit
	43434233	Hose - AG/ABX 6'Molded - Sprint
	2	43414072
43414073		Floor Brush - AG
3	43414064	Dusting Brush - AG
4	43414057	Furniture Nozzle - AAP
	38614020	+ Furniture Nozzle - JM - 1 Pc.
5	38614024	Furniture Nozzle - AG - 1 Pc.
	43453037	+ Extension Tube - Poly - 20 - JM
6	3863801P	Extension Tube - Poly - AG
	43453052	Extension Tube - 20 - AX
7	38617017	Crevice Tool - AG
8	12845JM	Gasket
9	48447001	+ Brush Back
10	43414015	+ Furniture Brush - JM
	43414016	Furniture Brush - AG
11	33712007	Split Ring
12	38644020	Swivel Connector - AG
	38644040	Swivel Connector - AAP
13	32855003	Hose Connector - Celeb.
	38638017	Hose Connector - AAP - Molded Hose
	38638019	Hose Connection - AAP
	38638039	Hose Connector - AG - Molded Hose
14	12615BZ	Collar (All Wire Hoses)
	38671011	Collar (Molded Hoses)
15	32156010	Sleeve (All Hoses)
16	38671029	Hose - 6'- AAV - Molded
	38671033	+ Hose - 6'- ABX - Molded
17	36116006	Collar (All Wire Hoses)
	36171025	Collar (Molded Hose)
18	43466044	Hose Grip -AAP -S/C
	43466066	Hose Grip - AG
19	38711006	Suction Control Ring - JM
	38711007	+ Suction Control Ring - MV
20	36153009	Latch Ring - AG
21	43414139	+ Rug & Floor Nozzle - AAP - (P - 188)
	0M114169	Rug & Floor Nozzle - ABE - (P - 188)
22	43414101	+ Rug & Floor Nozzle - DLX - (P - 188)

Rug & Floor Nozzle

Models S3183, S3187, S3187-030, S3203, S3205, S3207, S3215, S3241, S3247, S3257, S3259, S3289, S3291, S3299, S3299-031, S3401



A	48476026	+ Rug & Floor Nozzle - AAP - S3205, S3299, S3299-031 (Replaced by 43414101 +)
1	43463012	+ Connector Tube
2	13267	+* Felt Gasket
3	38615156	Nozzle Body - JM - S3299
4	13259PH	+ Litter Picker
5	15963FW	+ Spring
6	13261AY	* Rib Shoe
7	16184	Brush Back
8	161413	+* Tube Retainer
9	31524005	Roller Shaft
10	42246002	+ Bottom Plate
11	12955	* Screw
12	13157AG	+ Roller
B	43414105	+ Rug & Floor Nozzle - AAP - S3183, S3203, S3215, S3241, S3247, S3289, S3291, S3401 (Replaced by 43414121)
1	166652JM	Nozzle Tube (See Note)
2	166651	Gasket
3	43414089	Nozzle Body - JM
4	166646	Brush Retainer
5	166650AY	+ Tube Clamp
6	166648AW	+* Screw
7	166649FW	Spring
8	166656	Brush Back
C	48476064	+ Rug & Floor Nozzle - AAP - S3187, S3187-030 (Replaced by 43414101)
	48476066	+ Rug & Floor Nozzle - JM - S3207, S3257 (Replaced by 43414101)
	43414101	+ Rug & Floor Nozzle - MX - S3259
1	34113001	+ Foam Seal
2	169241AW	* Washer
3	169239JR	+ Wheel
	169239AG	Wheel - S3207
4	13730	* Lock Ring
5	169242	Wheel Cover
6	38615161	+ Nozzle Body - JM
7	34112001	* Foam Seal
8	34223002	+ Felt Seal
9	169250AG	+ Brush Housing
10	169253AY	+ Rib Shoe
11	169256	+ Brush Back
12	169247JR	+ Furniture Guard
	169247JM	+ Furniture Guard - S3207, S3257
13	169251	+ Gasket
14	169538	+ Bottom Plate
15	21481464	+ Screw
16	21481465	+ Screw
17	169243AG	Roller
18	21312758	+* Washer
19	169244AW	Roller Shaft
20	24735081	* Lock Ring
21	166649FW	Spring
22	34513001	Foam Seal - L.H.
23	34513002	Foam Seal - R.H.
24	169240AY	+ Wheel Shaft
25	169249JM	+ Connector Tube
26	34122006	Seal
27	169254JM	+ Control Knob