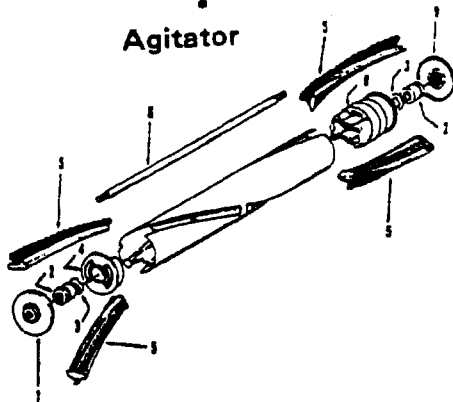


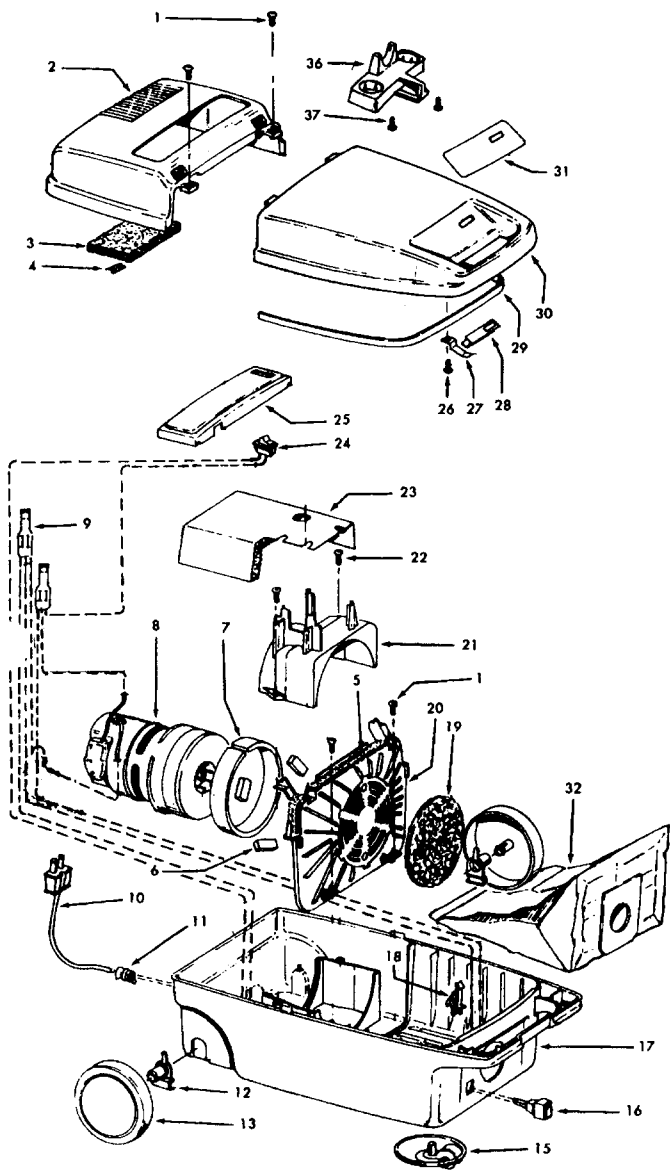
Agitator



| Ref. No. | Part No.                     | Description   |
|----------|------------------------------|---|
|          | 48438189 A, C                | Power Nozzle - LS - S3189, S3193, S3213   |
|          | 48438057 D                   | Power Nozzle - MX - 4.5' Cord - S3245   |
|          | 48438189 F                   | Power Nozzle - LZ - S3211, S3261, S3263, S3263-036, S3263-060, S3403, S3403-022     |
|          | 48438190 G, J                | Power Nozzle - LZ - S3209, S3419, S3425, S3425-022, S3425-032, S3425-060, S3403-022 |
|          | 48438058 H +                 | Power Nozzle - LZ - 4.5' Cord   |
| 1        | 46321005                     | Attachment Cord 4.5'- AG  |
|          | 46321088                     | Cord - AG - 3.5   |
| 2        | 42252059 A, C, D, E, F, G, H | Body - LS   |
|          | 42252174 I, J                | Body - AAP  |
|          | 51375042 A, B, C +           | Nameplate   |
|          | 52125095 F +                 | Nameplate   |
|          | 52125088 G                   | Nameplate   |
|          | 52125107 H +                 | Nameplate   |
|          | 52125113 I                   | Nameplate   |
|          | 52125096 J                   | Nameplate   |
| 3        | 48416009                     | Agitator  |
| 2        | 163768                       | Strain Relief   |
| 5        | 34663003                     | Bracket   |
| 6        | 43482024                     | Nozzle Connector - LZ   |
| 7        | 12227                        | Insulated Terminal (2 Wire)   |
| 8        | 34112005                     | * Seal  |
| 9        | 34337003                     | * Seal  |
| 10       | 21447041                     | * Screw   |
| 11       | 32175025                     | Wheel - AG  |
| 12       | 31523005                     | Wheel Shaft   |
| 13       | 42246120                     | Base Plate  |
| 14       | 21447007                     | * Screw   |
| 15       | 34337004                     | * Seal  |
| 16       | 42256090                     | + Duct Cover  |
| 17       | 34123015                     | * Duct Cover Seal   |
| 18       | 35276001                     | * Detent Spring   |
| 19       | 43177073                     | Motor   |
| 20       | 35271001                     | Bracket - LH  |
| 21       | 38528011                     | Belt  |

| Ref. No. | Part No. | Description     |
|----------|----------|-----------------|
|          | 48416009 | Agitator        |
| 1        | 41435018 | Thread Guard    |
| 2        | 43267002 | Bearing         |
| 3        | 21347003 | * Spring Washer |
| 4        | 36422001 | End             |
| 5        | 48445017 | Agitator Brush  |
| 6        | 160070   | Shaft           |
| 8        | 38537002 | End Pulley      |
| 9        | 41435021 | Thread Guard    |

S3261 - 1.7 Motor  
 S3261-020 - 2.2 Motor



S3427 - 2.2 Motor

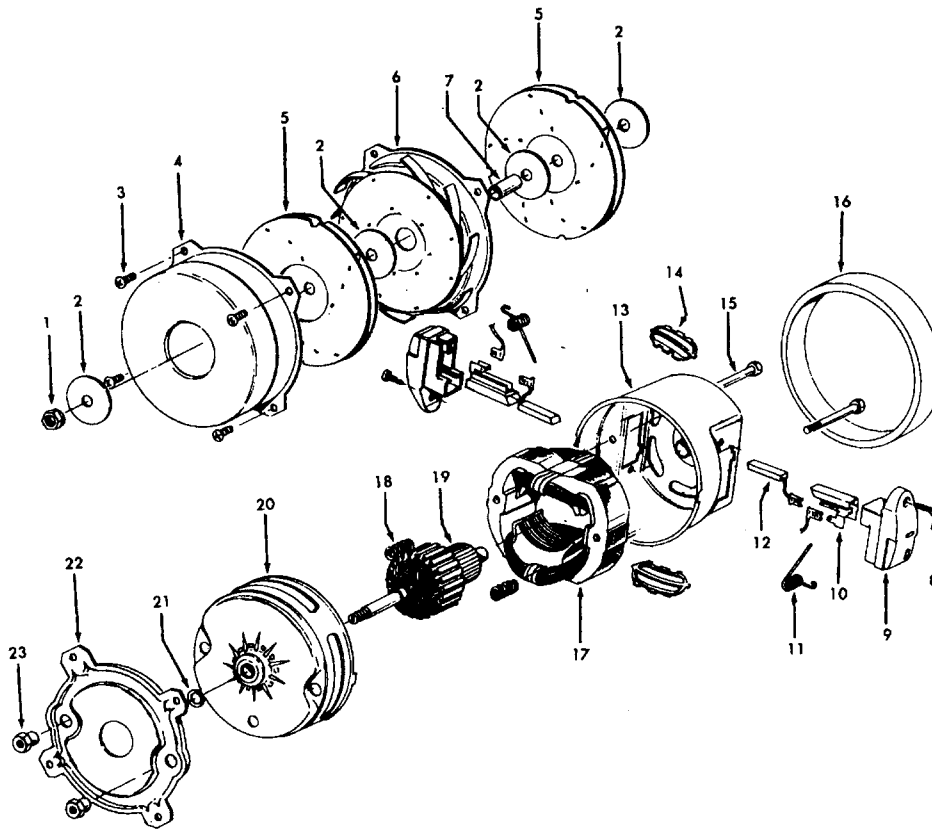
| Ref. No. | Part No. | Description             |
|----------|----------|-------------------------|
| 1        | 21447041 | * Screw                 |
| 2        | 37195047 | Motor Cover             |
| 3        | 34163003 | Diffuser                |
| 4        | 21366004 | * Speed Nut             |
| 5        | 34133007 | Seal                    |
| 6        | 34132006 | + Pad                   |
| 7        | 34143002 | Seal                    |
| 8        | 43577109 | Motor - 1.7 - (P-111)   |
|          | 43577013 | + Motor - 2.2 - (P-163) |
| 9        | 48969    | * Wire Nut              |
| 10       | 46363039 | Attach. Cord - AAP - 16 |
| 11       | 27482301 | Strain Relief           |
| 12       | 38511015 | Wheel Bearing - AG      |
| 13       | 38522061 | Wheel - AG              |
| 15       | 41432040 | Wheel Carrier - AG      |
| 16       | 46326079 | Receptacle Assem. - AG  |
| 17       | 37231016 | + Main Body - M         |
| 18       | 36151015 | Latch                   |
| 19       | 31114009 | Filter                  |
| 20       | 36426012 | Filter Support          |
| 21       | 36321011 | Motor Retainer - JM     |
| 22       | 21447072 | * Screw                 |
| 23       | 34287021 | Muffler                 |
| 24       | 28164276 | Switch                  |
| 25       | 37214052 | Control Panel - M       |
| 26       | 21447027 | +* Screw                |
| 27       | 36172046 | Spring Clip             |
| 28       | 51151010 | Bag Indicator           |
| 29       | 38781010 | Seal                    |
| 30       | 42212034 | Bag Housing Lid - LZ    |
| 31       | 51375064 | + Nameplate - S3261     |
|          | 51375091 | + Nameplate - S3261-022 |
|          | 51375105 | + Nameplate - S3427     |
| 32       | 4010028K | Paper Bag - (3-Pk.)     |
| 36       | 36433015 | Tool Rack               |
| 37       | 21447003 | * Screw                 |
|          | 56513242 | + Owner Manual          |
|          | 58173309 | + Carton - S3261-022    |
|          | 58366061 | + Mid Pad               |
|          | 58461023 | + Top Support           |
|          | 58184017 | + Carton - S3427        |
|          | 58366069 | + Bottom Support        |

CLEANING TOOLS - S3427 - (P-92)

|          |                              |
|----------|------------------------------|
| 38617017 | Crevice Tool - AG            |
| 43414057 | Furniture Nozzle - AG        |
| 43414064 | Dusting Brush - AG           |
| 43414073 | Floor Brush - AG             |
| 43433111 | Hose - 2W - AG               |
| 43453052 | Extension Tube - 20 - AX     |
| 48438024 | Power Nozzle - LZ - (P-1 55) |

CLEANING TOOLS - S3261 - (P-92)

|          |                            |
|----------|----------------------------|
| 43414057 | Furniture Nozzle           |
| 38617017 | Crevice Tool - AG          |
| 43414064 | Dusting Brush - AG         |
| 43414073 | Floor Brush - AG           |
| 43433111 | Hose - 2W - AG             |
| 43453052 | Extension Tube - 20 - AX   |
| 48438189 | Power Nozzle - LZ - (P-83) |



| Ref. No. | Part No. | Description   |
|----------|----------|---|
| 1        | 33426001 | Nut   |
| 2        | 21312701 | * Washer  |
| 3        | 21434224 | +* Screw  |
| 4        | 37191016 | Outerstage Housing  |
| 5        | 43566017 | Fan   |
| 6        | 43551005 | Interstage  |
| 7        | 31742010 | Spacer  |
| 8        | 21429406 | * Screw   |
| 9        | 167696AG | Brush Carrier   |
| 10       | N/A      | Brush Holder - Use Brush Carrier Assem. 47318008 (Incl. It. 9-12) |
| 11       | 38353004 | Spring  |
| 12       | 167681   | Carbon Brush  |
| 13       | 42937003 | Motor Housing - Upper   |
| 14       | 169702BZ | +* Bushing  |
| 15       | 33421004 | + Bolt  |
| 16       | 31195002 | Air Baffle  |
| 17       | 45311051 | Field Coil  |
| 18       | 167721FW | Compression Spring  |
| 19       | 44765171 | Armature  |
| 20       | 37191085 | Motor Housing - Lower   |
| 21       | 31148002 | Spacer  |
| 22       | 36322002 | Mounting Plate  |
| 23       | 167695EF | Nut   |

| Ref. No. | Part No. | Description                            |
|----------|----------|--|
| 1        | 43433085 | Hose - AAP - Celebrity                 |
| 2        | 43433032 | + Hose - JM - Spirit - 5-1/2'          |
| 3        | 43433067 | + Hose - AAP - Spirit - 5-1/2'         |
|          | 43433081 | + Hose - MV -S/C- Spirit - 5-1/2'      |
|          | 43433084 | Hose - AAP - S/C - Spirit - 7'         |
|          | 43433111 | Hose - 2W - AG -S/C - Spirit           |
| 4        | 46321076 | Cord Repair Kit                        |
| 5        | 34777005 | Suction Reg. Control - AG              |
|          | 34777007 | Suction Reg. Control - MV              |
| 6        | 36153009 | Latch Ring - AG                        |
| 7        | 43468055 | Hose Tube - BL - 14                    |
| 8        | 43453086 | + Extension Tube - BL - 22             |
|          | 43453035 | + Extension Tube - AX - 22             |
|          | 43453052 | Extension Tube - 20 - AX (Gray Clip)   |
|          | 43453058 | + Extension Tube - BL - 20 (Gray Clip) |
| 9        | 3863801P | Extension Tube -Poly - AG              |
| 10       | 43453027 | Extension Tube                         |
| 11       | 43414073 | Floor Brush - AG                       |
| 12       | 38614023 | + Furniture Nozzle - 1 Pc. - 17        |
|          | 43414057 | Furniture Nozzle - AG                  |
|          | 38614024 | Furniture Nozzle - AG                  |
| 13       | 43414064 | Dusting Brush - AG                     |
| 14       | 38617017 | Crevice Tool - AG                      |
| 15       | 43414015 | + Furniture Brush - JM                 |
|          | 43414016 | Furniture Brush - AG                   |
| 16       | 38644040 | Swivel Connector - JM                  |
|          | 38644020 | Swivel Connector - AG                  |
| 17       | 33712007 | Split Ring                             |
| 18       | 48447001 | + Brush Back                           |
| 19       | 12845JM  | Gasket                                 |
| 20       | 12783    | +* Rivet                               |
| 21       | 36171008 | Cord Clip - MV                         |
|          | 36171005 | Cord Clip - AG                         |
| 22       | 13275    | +* Screw                               |
| 23       | 13142AG  | Suction Control                        |
| 24       | 13257BZ  | Support                                |

