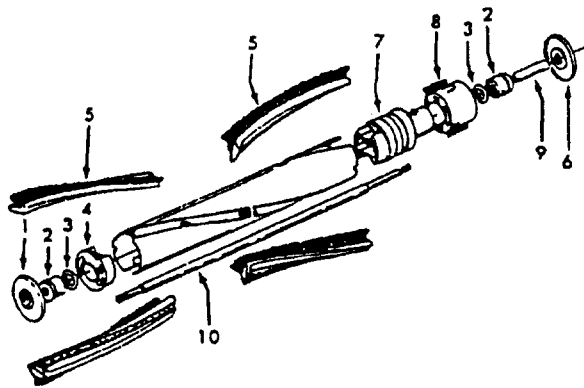
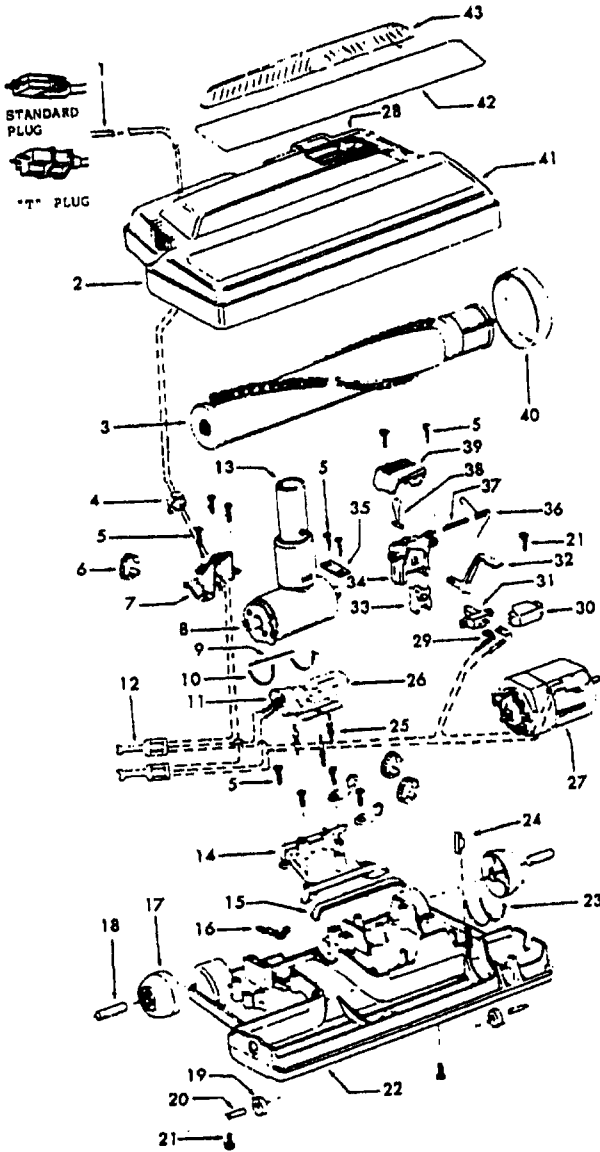


48438024 - MX - S3271-036, S3271-060, S3271-070

48438226 - AG - S3487, S3499, S3501 - T-Plug

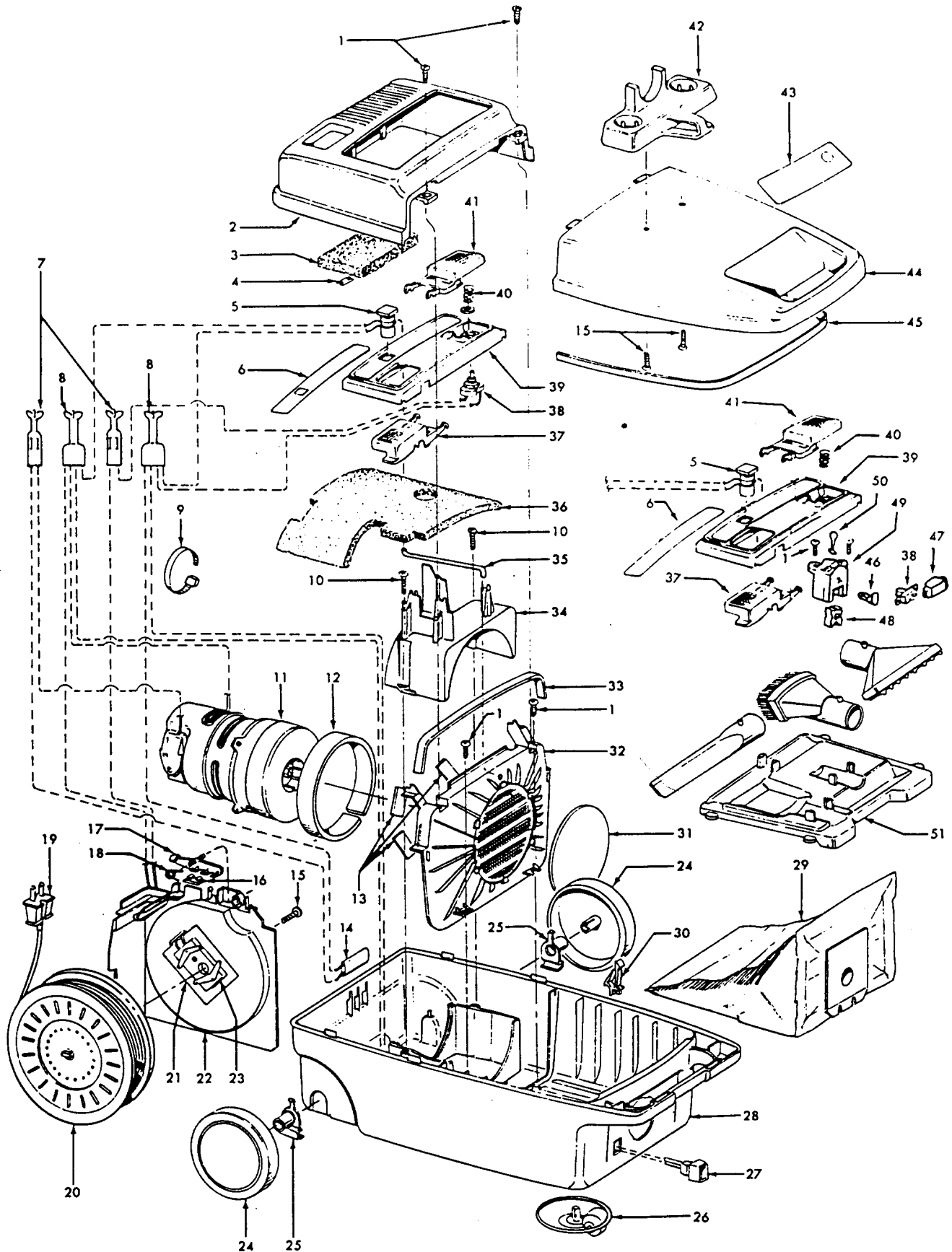
48438044 - AG - S3269-036, S3269-060, S3269-070, S3487, S3499, S3631 - Standard Plug



Ref. No.	Part No.	Description
1	46321088	Cord - AG - Standard Plug
2	46321009	Cord - T Plug
	36231096	Furniture Guard - MY - S3269-036, S3269-060, S3269-070, S3271-036, S3271-060, S3487, S3499, S3501
3	48416030	Agitator - 4B
4	163768	Strain Relief
5	21447041	* Screw
6	27479307	* Wire Tie
7	36131065	Retainer Housing - AAK
	36131067	Retainer Housing - AG - S3487, 3499, S3501
8	43461021	Nozzle Connector - AG
9	34112005	* Seal
10	34337003	* Seal
11	47171009	+ Lamp Socket
12	18972	Insulated Terminal (3 Wire)
13	43457037	Swivel Tube - AG
14	42256098	Duct Cover
15	34123017	Seal
16	35276001	Detent Spring
17	32175025	Wheel - AG
18	31523005	Wheel Shaft
19	32761001	Wheel
20	31522004	Wheel Shaft
21	21447007	* Screw
22	42246121	Base Plate (Inc. items 17, 18, 19, 20, 23, 24)
23	34337004	* Lower Seal
	34378010	* Upper Seal
24	13261AY	* Rib Shoe
25	36218005	Grommet
	36218016	Grommet - S3631
26	27317307	Lamp - 15
27	43177073	Motor
28	51865005	Indicator Lens
	51865018	Indicator Lens - S3269-070, S3271-070, S3487, S3499, S3501
29	27666702	Terminal
30	37258082	Shield
31	281770KD	Switch
32	51151053	Indicator - PH
33	34361001	Switch Actuator
34	42262032	Housing
35	36131017	* Retainer
36	38353007	Torsion Spring
37	31523006	Pivot Pin
38	38458002	* Depressor
39	38433067	+ Switch Pedal - MW - S3487, S3499, S3501, S3269-036, S3269-060, S3269-070, S3271-036, S3271-060, S3271-070
40	38528011	Belt
41	42252186	+ Nozzle Body - AAK
	42252189	Nozzle Body - S3487, S3499, S3269-036, S3269-060, S3269-070
	42252144	Nozzle Body - MY - S3501
42	52125114	Nameplate
43	39383060	Lens
45	43457037	Swivel Tube - AG

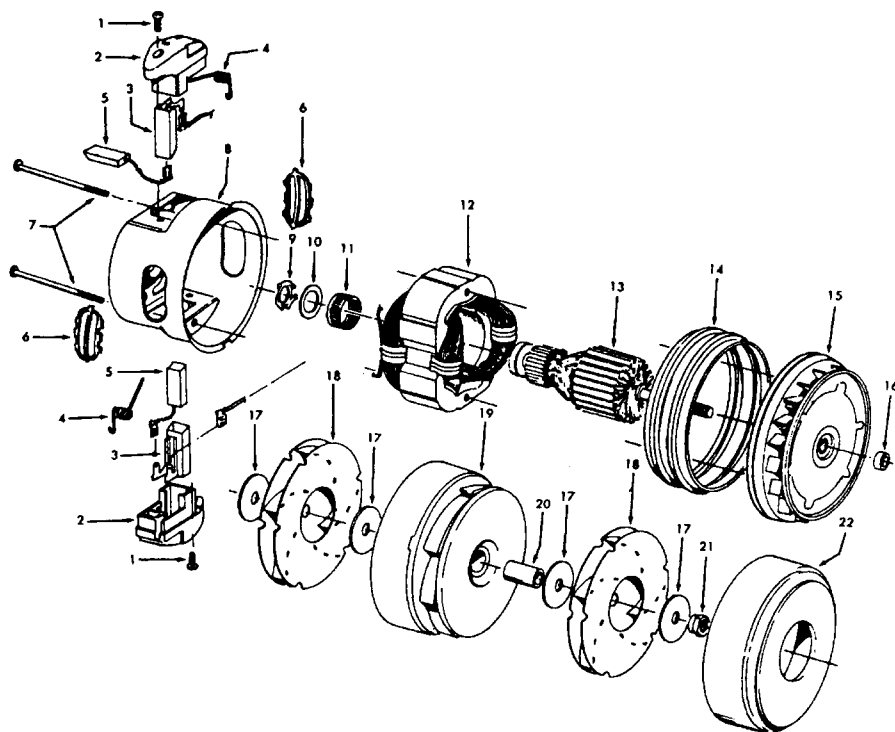
Agitator 48416030

1	48495AY	Thread Guard
2	43267002	Bearing
3	21347003	* Washer
4	36422001	End
5	48445017	Agitator Brush
6	41435018	Thread Guard
7	38537008	End Pulley
8	48418001	Brush Ring
9	31722019	Spacer
10	32724005	Shaft



Ref. No.	Part No.	Description	Ref. No.	Part No.	Description
1	21447041	* Screw		37214146	+ Control Panel - Push Switch - MV
2	37195074	Motor Cover - AG		37214154	+ Control Panel - Slide Switch - MV
3	34163003	Diffuser	40	38314002	Spring - Push Switch
4	21366004	* Speed Nut		38319002	+ Spring - Slide Switch
5	27343212	Bag Indicator	41	38422073	Switch Pedal - Push Switch - AG - S3271-036, S3271-060, S3487, S3271-070
6	51331007	Nameplate		38422149	Switch Pedal - Slide Switch - WW - S3271-036, S3271-070, S3487
7	12227	Insulated Terminal (2 Wire)		38422108	+ Switch Pedal - Push Switch - MV
8	18972	Insulated Terminal (3 Wire)	42	36433027	Tool Rack - AAF - S3271, S3271-036
9	27479307	* Wire Tie		36433060	Tool Rack - AG - S3487
10	21447072	* Screw	43	52125123	+ Nameplate - S3271, S3271-060
11	43578051	Motor - 3.1 - S3271, S3271-060 - (P-1 56)		52125117	+ Nameplate - S3271-036, S3271-070
	43578070	+ Motor - 3.6 - (P- 1 56)		52125116	+ Nameplate - S3487
	43578069	Motor - 4.0 - S3271-036, S3271-070, S3487 - (P- 1 56)	44	42212095	Bag Housing Lid - AG - S3271, S3271-036, S3271-060, S3487
12	34143003	Seal		42212106	Bag Housing Lid - AAF - S3271-070
13	34132015	+ Pad	45	38781010	Seal
14	47534018	Thermal Protector	46	38561003	Axle
15	21447003	* Screw - 5/8	47	37258082	Terminal Shield
	21447072	* Screw - 7/8	48	34361001	Switch Actuator
16	36222008	Brake Pad	49	42262075	Actuator Housing
17	38458008	Brake Arm	50	38458002	* Depressor
18	38353009	+ Spring	51	36433071	Tool Storage Tray - S3271-070
19	46383311	Attachment Cord - AG - 20'		56513212	+ Owner Manual - S3271, S3271-036, S3487
	164123	* Terminal		56513274	Owner Manual - S3271-070
20	46831106	Cord Reel	58184009	+ Carton - S327 1, S3271 -036, S3271 -060, S3487	
21	34165004	Insulator		58184025	+ Carton - S3271-070
22	37215170	+ Reel Support - AG	58366069	+ Bottom Support	
23	47348076	Brush Block	58366061	+ Mid Pad	
24	38522061	Wheel - AG	58366070	+ Mid Pad - S3271-070	
25	38511015	Wheel Bearing	58461023	+ Top Support	
26	41432040	Wheel Carrier		CLEANING TOOLS - S3271, S3271-036, S3271-060 - (P-92)	
27	46326079	Receptacle - AG	38617017	Crevice Tool - AG	
28	37231050	Main Body - MX - S3271	43414057	Furniture Nozzle - AG	
	37223198	Main Body - AAK - S3271-036, S3271-060, S3271-070	43414064	Dusting Brush - AG	
	37231072	Main Body - AAP - S3487	43414073	Floor Brush - AG	
29	4010028K	Paper Bag - 3 Pk.	43433084	Hose - 2W - S/C - AAP	
30	36151015	Latch	43453058	+ Extension Tube - BL - 20	
31	31114010	Filter	43453052	Extension Tube - 20 - AX	
32	36426014	Bulkhead	48438024	Power Nozzle - MX - (P-155)	
33	34133007	Seal		CLEANING TOOLS - S3271-070, S3487 - (P-92)	
34	36321012	Motor Retainer	38617017	Crevice Tool - AG	
35	31727025	Vent Tube	43414057	Furniture Nozzle - AG	
36	34287021	Muffler	43414064	Dusting Brush - AG	
37	38422124	Cord Reel Pedal - Push Switch - AG - S3271, S3487	43414073	Floor Brush - AG	
	38422104	+ Cord Reel Pedal - Push Switch - WW - S3271-036, S3271-060	43433084	Hose - 2W - S/C - AAP	
	38422117	Cord Reel Pedal - Slide Switch - WW - S3271-036, S3271-060, S3271-070	43453052	Extension Tube - 20 - AX	
	38422122	+ Cord Reel Pedal - Slide Switch - MV - S3487	48438226	Power Nozzle - AG - T- Plug S3487 - (P- 168)	
38	28212026	Switch - Push		Power Nozzle - AG - Std. Plug S3487 (P-168)	
	28177019	Switch - Slide	48438044	Power Nozzle - AAK - S3271-070 - (P-155)	
39	37214105	+ Control Panel - MY - S3271			
	37214138	Control Panel - Push Switch - AAP - S3271, S3271-036, S3271-060, S3487			
	37214137	+ Control Panel - Push Switch - WW			
	37214143	Control Panel - Slide Switch - AAP- S3271-036, S3271-070			

**Motor 43578051 (3.1)
43578069 (4.0)**



Ref. No.	Part No.	Description
1	21429406	* Screw
2	168038AG	Brush Carrier
3	168506--	Brush Holder
4	38353004	Spring
5	167679	Carbon Brush
6	169702BZ	+ Bushing
7	36112003	* Bolt 3.1
	21563061	Bolt 4.0
8	42192016	Motor Housing
9	21345116	+ Spring Washer
10	21312778	+* Thrust Washer
11	24198002	Star Ring
12	45311048	Field Coil 3.1
	45311022	+ Field Coil 4.0
13	44765185	Armature 3.1
	44765225	Armature 4.0
14	31195003	Motor Mount Insulator 3.1
	31195004	Motor Mount Insulator 4.0
15	43551013	Diffuser
16	31148009	Spacer
17	21312701	* Washer
18	43566017	Fan
19	42192033	Interstage
20	31743003	Spacer
21	33426001	Nut
22	37196087	Fan Cover

Motor:

	43578051	43578069
	S3259	S3269-036
	S3269	S3269-070
	S3269-060	S3271-036
	S3271	S3271-070
	S3271-060	S3483
	S3295-031	S3485
	S3299-031	S3485-070
	S3405	S3487
	S3419	S3499
	S3423	S3501
	S3441-031	S3503
	S3441-070	S3505
	S3473	S3621
	S3475	S3629
	S3481	S3631
	S3627	

Ref. No.	Part No.	Description
1	43433085	Hose - AAP - Celebrity
2	43433032	+ Hose - JM - Spirit - 5-1/2'
3	43433067	+ Hose - AAP - Spirit - 5-1/2'
	43433081	+ Hose - MV -S/C- Spirit - 5-1/2'
	43433084	Hose - AAP - S/C - Spirit - 7'
	43433111	Hose - 2W - AG -S/C - Spirit
4	46321076	Cord Repair Kit
5	34777005	Suction Reg. Control - AG
	34777007	Suction Reg. Control - MV
6	36153009	Latch Ring - AG
7	43468055	Hose Tube - BL - 14
8	43453086	+ Extension Tube - BL - 22
	43453035	+ Extension Tube - AX - 22
	43453052	Extension Tube - 20 - AX (Gray Clip)
	43453058	+ Extension Tube - BL - 20 (Gray Clip)
9	3863801P	Extension Tube -Poly - AG
10	43453027	Extension Tube
11	43414073	Floor Brush - AG
12	38614023	+ Furniture Nozzle - 1 Pc. - 17
	43414057	Furniture Nozzle - AG
	38614024	Furniture Nozzle - AG
13	43414064	Dusting Brush - AG
14	38617017	Crevice Tool - AG
15	43414015	+ Furniture Brush - JM
	43414016	Furniture Brush - AG
16	38644040	Swivel Connector - JM
	38644020	Swivel Connector - AG
17	33712007	Split Ring
18	48447001	+ Brush Back
19	12845JM	Gasket
20	12783	+* Rivet
21	36171008	Cord Clip - MV
	36171005	Cord Clip - AG
22	13275	+* Screw
23	13142AG	Suction Control
24	13257BZ	Support

