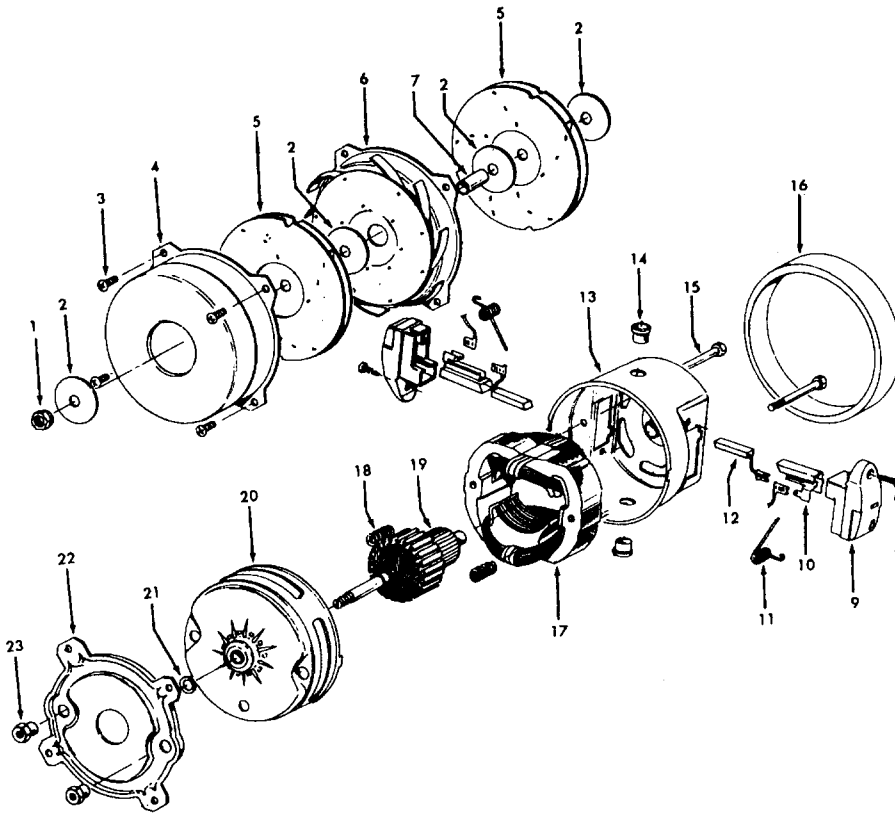


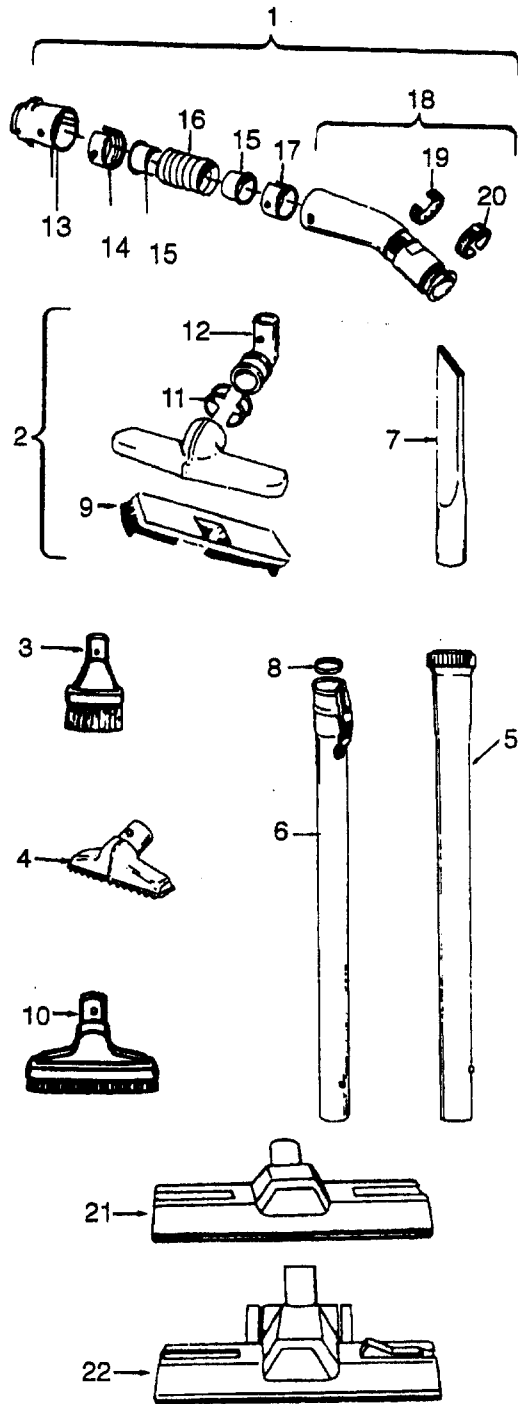
Ref. No.	Part No.	Description
1	21447041	* Screw
2	37195044	Motor Cover - AAG
3	34163003	Diffuser
4	21366004	* Speed Nut
5	34133007	Seal
6	34132006	+ Pad
7	34143002	Seal
8	43577109	Motor - (P - 158)
9	48969	* Wire Nut
10	46363039	Attach. Cord - AAP - 1
11	27482301	Strain Relief
12	38511015	Wheel Bearing
13	38522061	Wheel - AG
15	41432040	Wheel Carrier
17	37231038	Main Body - MX
18	36151015	Latch
19	31114009	Filter
20	36426012	Filter Support
21	36321011	Motor Retainer
22	21447072	* Screw
24	28164276	Switch
25	37214031	Control Panel - LY
29	38781010	Seal
32	4010028K	Paper Bag - 3 Pk.
35	42212078	Bag Housing Lid - AAG
	56513208	Owner Manual
	58173374	+ Carton
	58351015	+ Mid Pad
	58353007	+ Bottom Support
	58364013	+ Front Support
	58461020	+ Rear Support

Cleaning Tools - (P - 93)

38617017	Crevice Tool - AG
43414016	Furniture Brush - AG
43434233	Hose - AG
3863801P	Extension Tube - Poly - AG
0M114169	Rug & Floor Nozzle - ABE - (P - 94/188)



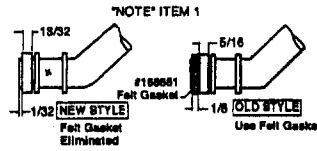
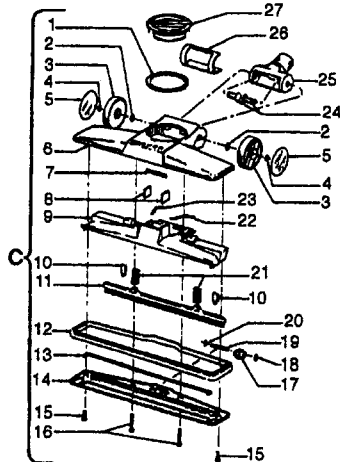
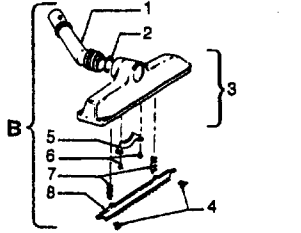
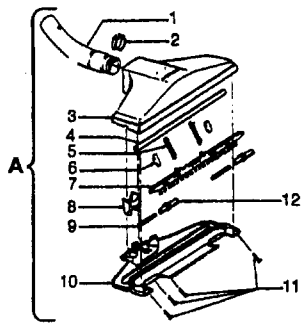
Ref. No.	Part No.	Description
1	33426001	Nut
2	21312701	* Washer
3	21434224	+* Screw
4	37191016	Outerstage Housing
5	43566017	Fan
6	43551005	Interstage
7	31742010	Spacer
8	21429406	* Screw
9	167696AG	Brush Carrier
10	N/A	Brush Holder - Use Brush Holder 47318008 (Incl. lt. 9 - 12)
11	38353004	Spring
12	167681	Carbon Brush
13	42937003	Motor Housing - Upper
14	27452109	* Bushing
15	33421004	+ Bolt
16	31195002	Insulator
17	45311035	Field Coil
18	167721FW	Spring
19	44765171	Armature
20	37191085	Motor Housing - Lower
21	31148002	Spacer
22	36322002	Mounting Plate
23	167695EF	Nut



Ref. No.	Part No.	Description
1	43434191	Hose - JM - S/C - 6'Wire - Celebrity
	43434155	+ Hose - JM - S/C - 6'Wire - Spirit
	43434013	Hose Assem. - Stretch (not pictured)
	43434065	+ Hose - JM - 6'Wire - Spirit
	43434130	+ Hose - JM - 7.5'Molded - Spirit
	43434131	+ Hose - AAP - 7.5'- Molded - Spirit
	43434125	+ Hose - AAP - S/C - 7'- Molded - Spirit
	43434126	+ Hose - AAV - S/C - 6'- Molded - Spirit
	43434231	Hose - AAP - 6'- Molded - Spirit
	43434233	Hose - AG/ABX 6'Molded - Sprint
	2	43414072
43414073		Floor Brush - AG
3	43414064	Dusting Brush - AG
4	43414057	Furniture Nozzle - AAP
	38614020	+ Furniture Nozzle - JM - 1 Pc.
5	38614024	Furniture Nozzle - AG - 1 Pc.
	43453037	+ Extension Tube - Poly - 20 - JM
6	3863801P	Extension Tube - Poly - AG
	43453052	Extension Tube - 20 - AX
7	38617017	Crevice Tool - AG
8	12845JM	Gasket
9	48447001	+ Brush Back
10	43414015	+ Furniture Brush - JM
	43414016	Furniture Brush - AG
11	33712007	Split Ring
12	38644020	Swivel Connector - AG
	38644040	Swivel Connector - AAP
13	32855003	Hose Connector - Celeb.
	38638017	Hose Connector - AAP - Molded Hose
	38638019	Hose Connection - AAP
	38638039	Hose Connector - AG - Molded Hose
14	12615BZ	Collar (All Wire Hoses)
	38671011	Collar (Molded Hoses)
15	32156010	Sleeve (All Hoses)
	38671029	Hose - 6'- AAV - Molded
16	38671033	+ Hose - 6'- ABX - Molded
	36116006	Collar (All Wire Hoses)
17	36171025	Collar (Molded Hose)
	43466044	Hose Grip -AAP -S/C
18	43466066	Hose Grip - AG
	38711006	Suction Control Ring - JM
19	38711007	+ Suction Control Ring - MV
	36153009	Latch Ring - AG
20	43414139	+ Rug & Floor Nozzle - AAP - (P - 188)
	0M114169	Rug & Floor Nozzle - ABE - (P - 188)
21	43414101	+ Rug & Floor Nozzle - DLX - (P - 188)
22		

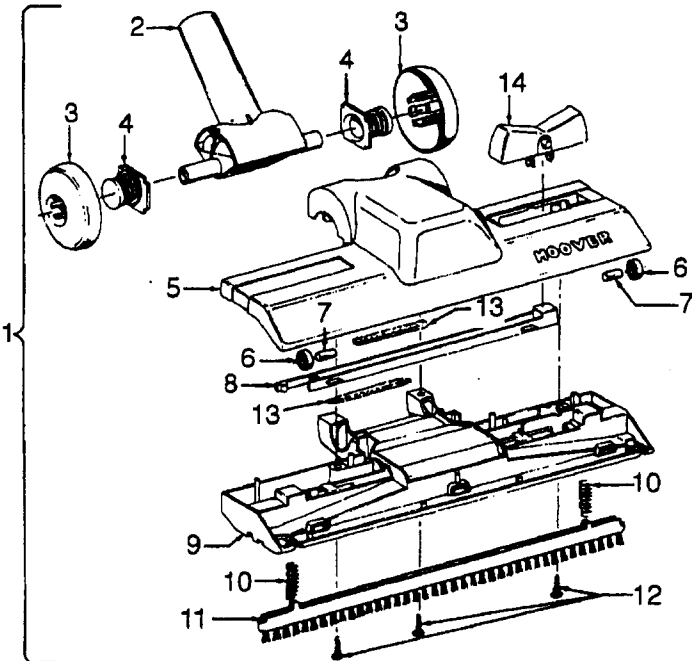
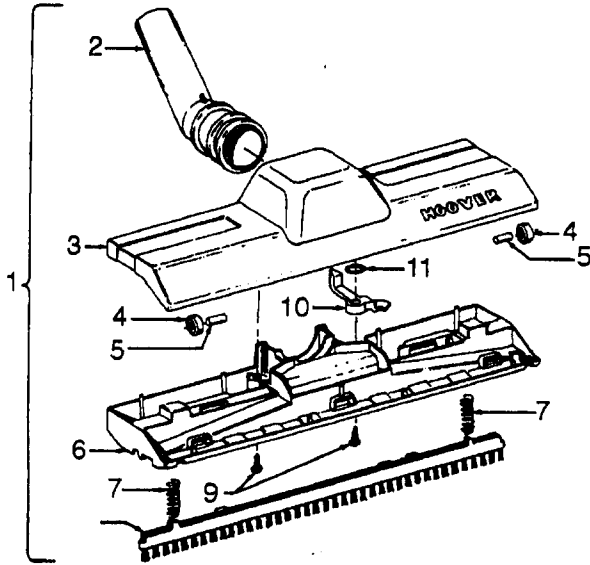
Rug & Floor Nozzle

Models S3183, S3187, S3187-030, S3203, S3205, S3207, S3215, S3241, S3247, S3257, S3259, S3289, S3291, S3299, S3299-031, S3401



A	48476026	+ Rug & Floor Nozzle - AAP - S3205, S3299, S3299-031 (Replaced by 43414101 +)
1	43463012	+ Connector Tube
2	13267	+* Felt Gasket
3	38615156	Nozzle Body - JM - S3299
4	13259PH	+ Litter Picker
5	15963FW	+ Spring
6	13261AY	* Rib Shoe
7	16184	Brush Back
8	161413	+* Tube Retainer
9	31524005	Roller Shaft
10	42246002	+ Bottom Plate
11	12955	* Screw
12	13157AG	+ Roller
B	43414105	+ Rug & Floor Nozzle - AAP - S3183, S3203, S3215, S3241, S3247, S3289, S3291, S3401 (Replaced by 43414121)
1	166652JM	Nozzle Tube (See Note)
2	166651	Gasket
3	43414089	Nozzle Body - JM
4	166646	Brush Retainer
5	166650AY	+ Tube Clamp
6	166648AW	+* Screw
7	166649FW	Spring
8	166656	Brush Back
C	48476064	+ Rug & Floor Nozzle - AAP - S3187, S3187-030 (Replaced by 43414101)
	48476066	+ Rug & Floor Nozzle - JM - S3207, S3257 (Replaced by 43414101)
	43414101	+ Rug & Floor Nozzle - MX - S3259
1	34113001	+ Foam Seal
2	169241AW	* Washer
3	169239JR	+ Wheel
	169239AG	Wheel - S3207
4	13730	* Lock Ring
5	169242	Wheel Cover
6	38615161	+ Nozzle Body - JM
7	34112001	* Foam Seal
8	34223002	+ Felt Seal
9	169250AG	+ Brush Housing
10	169253AY	+ Rib Shoe
11	169256	+ Brush Back
12	169247JR	+ Furniture Guard
	169247JM	+ Furniture Guard - S3207, S3257
13	169251	+ Gasket
14	169538	+ Bottom Plate
15	21481464	+ Screw
16	21481465	+ Screw
17	169243AG	Roller
18	21312758	+* Washer
19	169244AW	Roller Shaft
20	24735081	* Lock Ring
21	166649FW	Spring
22	34513001	Foam Seal - L.H.
23	34513002	Foam Seal - R.H.
24	169240AY	+ Wheel Shaft
25	169249JM	+ Connector Tube
26	34122006	Seal
27	169254JM	+ Control Knob

Rug & Floor Nozzle



Ref. No.	Part No.	Description
1	43414121	+ Standard Rug & Floor Nozzle Assem. - AAP
	43414139	+ Standard Rug & Floor Nozzle Assem. - AAP
	43414140	Standard Rug & Floor Nozzle Assem. - ABE (S3393-020, S3521)
	0M114169	Standard Rug & Floor Nozzle - ABX - S1221, S1315, S1337, S3393-040
	43414170	+ Standard Rug & Floor Nozzle AG - S1339, S3547
	43414172	Standard Rug & Floor Nozzle - AG
2	38646039	Nozzle Tube - AG
3	38615153	+ Rug & Floor Nozzle - AAP
	38615182	Rug & Floor Nozzle - ABE S3393-020, S3521, S1339, S3547, S1221, S1315, S1337
4	38521018	Roller (2) (Nozzle 43414172 req's 4)
5	31511004	Roller Axle - AY (2) (Nozzle 43414172 req's 4)
6	36414018	Brush Housing S1221, S1315, S1337
7	166649FW	Spring (2)
8	48443003	Brush Back Assem. - AG
9	21447203	Screw - Self Tapping (2)
10	38454004	Brush Back Lever - MV
	38454006	+ Brush Back Lever - ABN S3393-020, S3521, S1221 S1339, S3547
11	21329105	+ Felt Washer

Ref. No.	Part No.	Description
1	43414101	+ Deluxe Rug & Floor Nozzle Assem. - AAP
2	38646045	Nozzle Connector - AAP
3	43244043	Wheel & Bearing Assem. (2)
4	38511016	Wheel Bearing - AAT (2)
5	38615180	Rug & Floor Nozzle - AAP
6	38521018	Roller (2)
7	31511004	Roller Axle - AY (2)
8	38451008	Slider - AG
9	36414013	+ Brush Housing - MV
10	166649FW	Spring (2)
11	48443004	Brush Back Assem. - AG
12	21447203	Screw - Self Tapping (3)
13	34122013	+ Seal (2)
14	38434015	Pedal - MV