

Ref. No.	Part No.	Description
16	160472	+ Insulating Pod
17	37231069	Main Body - AAP - S3299, S3299-031
18	36151015	Latch
19	31114010	Filter
20	36426014	Bulkhead
21	36321012	Motor Retainer
22	21447072	* Screw
23	34287021	Muffler
24	28164276	Switch
25	37214052	Control Panel - AAP - S3481, S3299, S3299-031
29	38781010	Seal
30	42212049	Bag Housing Lid - MR - S3299
	42212047	Bag Housing Lid -JM, S3299-031
	42212091	Bag Housing Lid & Rack - AAU - S3481
32	4010028K	Paper Bag - 3 Pk.
34	47534018	Thermal Protector
36	36433053	Tool Rack - MX - S3299-031
	36433066	Tool Rack - AAU - S3481
37	21447003	* Screw
	56513220	+ Owner Manual - S3299, S3299-031
	56513271	+ Owner Manual - S3481
	58173374	+ Carton - S3299
	58173375	+ Carton - S3299-031, S3481
	58351015	+ Mid Pad
	58353007	+ Bottom Support
	58364015	+ Front Support
	58461023	+ Top Support
	58173272	+ Carton

Ref. No.	Part No.	Description
1	21447041	* Screw
2	37195063	Motor Cover - MR - S3299, S3299-031
	37195073	+ Motor Cover - AAU - S3481
3	34163003	Diffuser
4	21366004	* Speed Nut
5	34133007	Seal
6	34132015	+ Pad
7	34143003	Seal
8	43578051	Motor - 3.1 - (P-1 56)
9	12227	Insulated Terminal (2 wire)
	48969	Wire Nut (2 wire)
10	46363039	Attach. Cord - AAP - 16 Ft.
11	27482301	Strain Relief
12	38511015	Wheel Bearing - AG
13	38522061	Wheel -AG - S3299, S3299-031
	38522058	Wheel - AAP - S3481
15	41432040	Wheel Carrier - AG

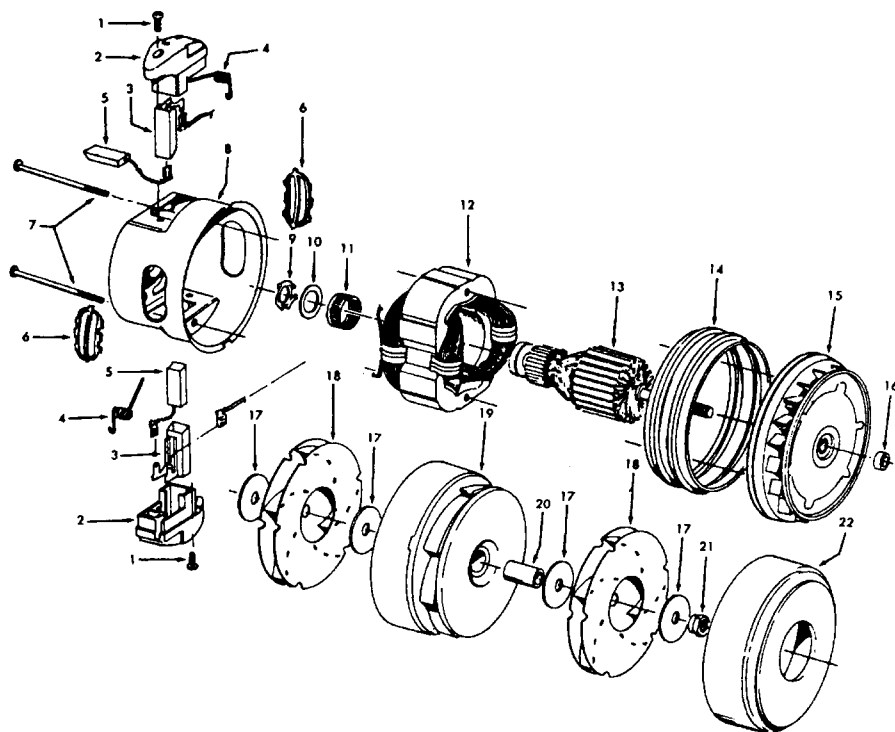
CLEANING TOOLS - S3299, S3299-031 - (P-93)

38614024	Furniture Nozzle - AG
38617017	Crevice Tool - AG
43414064	Dusting Brush - AG
43414073	Floor Brush - AG
43434233	Hose - ABX/AG - 6 Ft.
3863801P	Extension Tube - Poly - AG
43414101	+ Rug & Floor Nozzle - AAP (P-94/188)

CLEANING TOOLS - S3481 - (P-93)

38614024	Furniture Nozzle - AG
38617017	Crevice Tool - AG
43414064	Dusting Brush - AG
43434233	Hose - AAV - 6 - Molded - Spirit
3863801P	Extension Tube - Poly - AG
43414101	+ Dlx. Rug & Floor Nozzle - AAP P-94/188

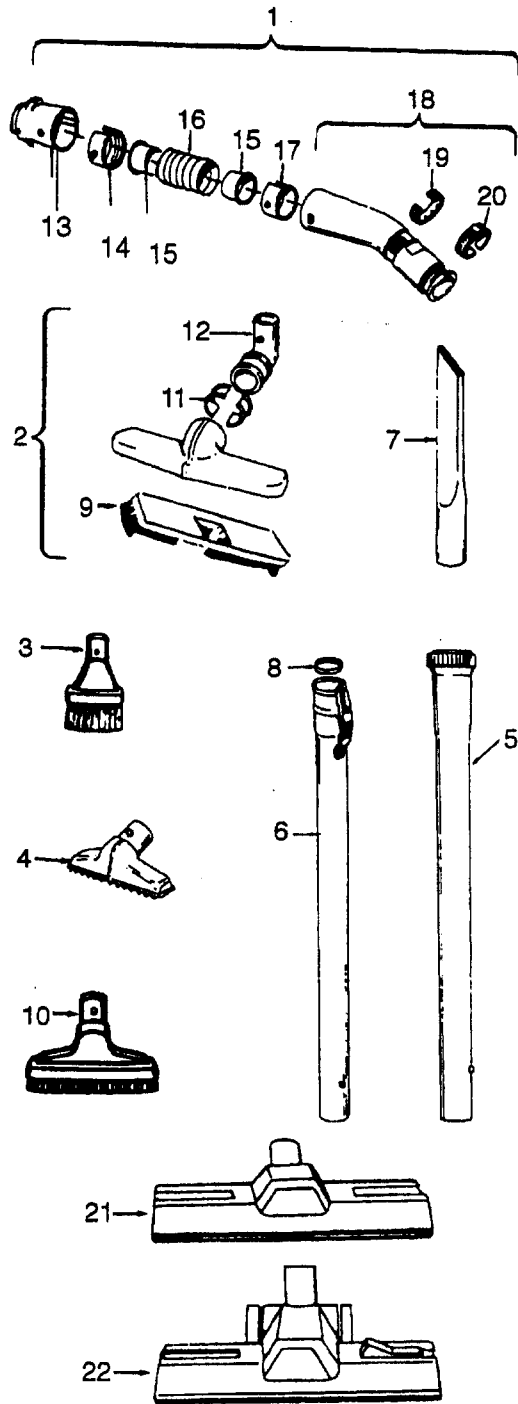
Motor 43578051 (3.1)
43578069 (4.0)



Ref. No.	Part No.	Description
1	21429406	* Screw
2	168038AG	Brush Carrier
3	168506--	Brush Holder
4	38353004	Spring
5	167679	Carbon Brush
6	169702BZ	+ Bushing
7	36112003	* Bolt 3.1
	21563061	Bolt 4.0
8	42192016	Motor Housing
9	21345116	+ Spring Washer
10	21312778	+* Thrust Washer
11	24198002	Star Ring
12	45311048	Field Coil 3.1
	45311022	+ Field Coil 4.0
13	44765185	Armature 3.1
	44765225	Armature 4.0
14	31195003	Motor Mount Insulator 3.1
	31195004	Motor Mount Insulator 4.0
15	43551013	Diffuser
16	31148009	Spacer
17	21312701	* Washer
18	43566017	Fan
19	42192033	Interstage
20	31743003	Spacer
21	33426001	Nut
22	37196087	Fan Cover

Motor:

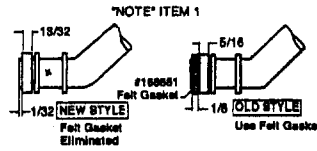
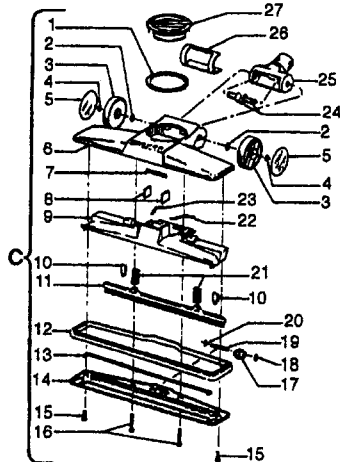
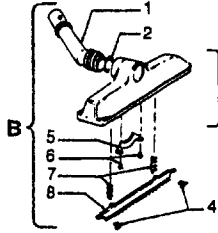
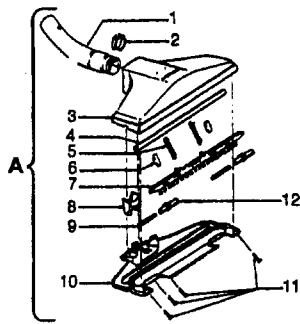
	43578051	43578069
	S3259	S3269-036
	S3269	S3269-070
	S3269-060	S3271-036
	S3271	S3271-070
	S3271-060	S3483
	S3295-031	S3485
	S3299-031	S3485-070
	S3405	S3487
	S3419	S3499
	S3423	S3501
	S3441-031	S3503
	S3441-070	S3505
	S3473	S3621
	S3475	S3629
	S3481	S3631
	S3627	



Ref. No.	Part No.	Description
1	43434191	Hose - JM - S/C - 6'Wire - Celebrity
	43434155	+ Hose - JM - S/C - 6'Wire - Spirit
	43434013	Hose Assem. - Stretch (not pictured)
	43434065	+ Hose - JM - 6'Wire - Spirit
	43434130	+ Hose - JM - 7.5'Molded - Spirit
	43434131	+ Hose - AAP - 7.5'- Molded - Spirit
	43434125	+ Hose - AAP - S/C - 7'- Molded - Spirit
	43434126	+ Hose - AAV - S/C - 6'- Molded - Spirit
	43434231	Hose - AAP - 6'- Molded - Spirit
	43434233	Hose - AG/ABX 6'Molded - Sprint
2	43414072	+ Floor Brush - JM
	43414073	Floor Brush - AG
3	43414064	Dusting Brush - AG
4	43414057	Furniture Nozzle - AAP
	38614020	+ Furniture Nozzle - JM - 1 Pc.
5	38614024	Furniture Nozzle - AG - 1 Pc.
	43453037	+ Extension Tube - Poly - 20 - JM
6	3863801P	Extension Tube - Poly - AG
	43453052	Extension Tube - 20 - AX
7	38617017	Crevice Tool - AG
8	12845JM	Gasket
9	48447001	+ Brush Back
10	43414015	+ Furniture Brush - JM
	43414016	Furniture Brush - AG
11	33712007	Split Ring
12	38644020	Swivel Connector - AG
	38644040	Swivel Connector - AAP
13	32855003	Hose Connector - Celeb.
	38638017	Hose Connector - AAP - Molded Hose
	38638019	Hose Connection - AAP
	38638039	Hose Connector - AG - Molded Hose
14	12615BZ	Collar (All Wire Hoses)
	38671011	Collar (Molded Hoses)
15	32156010	Sleeve (All Hoses)
16	38671029	Hose - 6'- AAV - Molded
	38671033	+ Hose - 6'- ABX - Molded
17	36116006	Collar (All Wire Hoses)
	36171025	Collar (Molded Hose)
18	43466044	Hose Grip -AAP -S/C
	43466066	Hose Grip - AG
19	38711006	Suction Control Ring - JM
	38711007	+ Suction Control Ring - MV
20	36153009	Latch Ring - AG
21	43414139	+ Rug & Floor Nozzle - AAP - (P - 188)
	0M114169	Rug & Floor Nozzle - ABE - (P - 188)
22	43414101	+ Rug & Floor Nozzle - DLX - (P - 188)

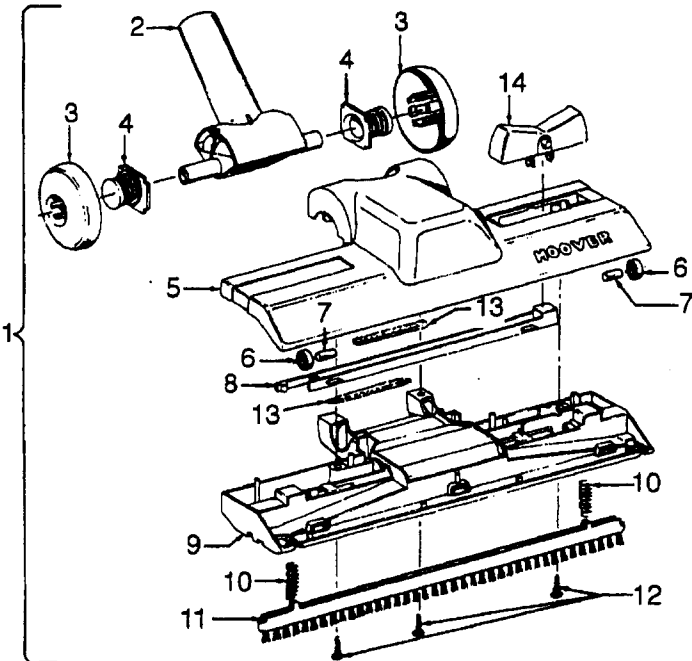
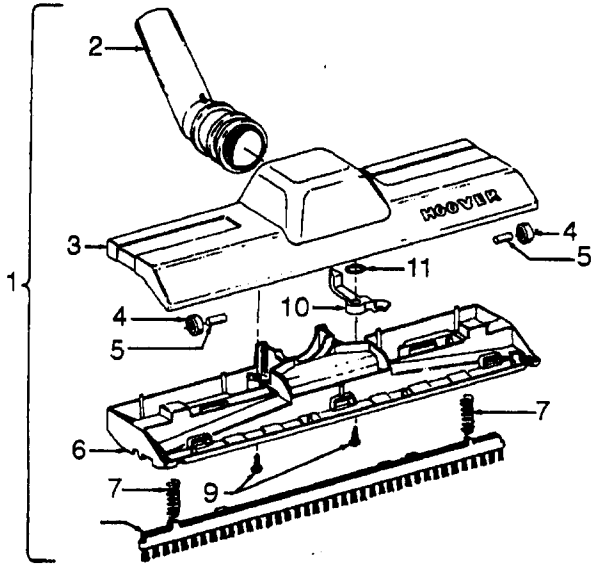
Rug & Floor Nozzle

Models S3183, S3187, S3187-030, S3203, S3205, S3207, S3215, S3241, S3247, S3257, S3259, S3289, S3291, S3299, S3299-031, S3401



A	48476026	+ Rug & Floor Nozzle - AAP - S3205, S3299, S3299-031 (Replaced by 43414101 +)
1	43463012	+ Connector Tube
2	13267	+* Felt Gasket
3	38615156	Nozzle Body - JM - S3299
4	13259PH	+ Litter Picker
5	15963FW	+ Spring
6	13261AY	* Rib Shoe
7	16184	Brush Back
8	161413	+* Tube Retainer
9	31524005	Roller Shaft
10	42246002	+ Bottom Plate
11	12955	* Screw
12	13157AG	+ Roller
B	43414105	+ Rug & Floor Nozzle - AAP - S3183, S3203, S3215, S3241, S3247, S3289, S3291, S3401 (Replaced by 43414121)
1	166652JM	Nozzle Tube (See Note)
2	166651	Gasket
3	43414089	Nozzle Body - JM
4	166646	Brush Retainer
5	166650AY	+ Tube Clamp
6	166648AW	+* Screw
7	166649FW	Spring
8	166656	Brush Back
C	48476064	+ Rug & Floor Nozzle - AAP - S3187, S3187-030 (Replaced by 43414101)
	48476066	+ Rug & Floor Nozzle - JM - S3207, S3257 (Replaced by 43414101)
	43414101	+ Rug & Floor Nozzle - MX - S3259
1	34113001	+ Foam Seal
2	169241AW	* Washer
3	169239JR	+ Wheel
	169239AG	Wheel - S3207
4	13730	* Lock Ring
5	169242	Wheel Cover
6	38615161	+ Nozzle Body - JM
7	34112001	* Foam Seal
8	34223002	+ Felt Seal
9	169250AG	+ Brush Housing
10	169253AY	+ Rib Shoe
11	169256	+ Brush Back
12	169247JR	+ Furniture Guard
	169247JM	+ Furniture Guard - S3207, S3257
13	169251	+ Gasket
14	169538	+ Bottom Plate
15	21481464	+ Screw
16	21481465	+ Screw
17	169243AG	Roller
18	21312758	+* Washer
19	169244AW	Roller Shaft
20	24735081	* Lock Ring
21	166649FW	Spring
22	34513001	Foam Seal - L.H.
23	34513002	Foam Seal - R.H.
24	169240AY	+ Wheel Shaft
25	169249JM	+ Connector Tube
26	34122006	Seal
27	169254JM	+ Control Knob

Rug & Floor Nozzle



Ref. No.	Part No.	Description
1	43414121	+ Standard Rug & Floor Nozzle Assem. - AAP
	43414139	+ Standard Rug & Floor Nozzle Assem. - AAP
	43414140	Standard Rug & Floor Nozzle Assem. - ABE (S3393-020, S3521)
	0M114169	Standard Rug & Floor Nozzle - ABX - S1221, S1315, S1337, S3393-040
	43414170	+ Standard Rug & Floor Nozzle AG - S1339, S3547
	43414172	Standard Rug & Floor Nozzle - AG
2	38646039	Nozzle Tube - AG
3	38615153	+ Rug & Floor Nozzle - AAP
	38615182	Rug & Floor Nozzle - ABE S3393-020, S3521, S1339, S3547, S1221, S1315, S1337
4	38521018	Roller (2) (Nozzle 43414172 req's 4)
5	31511004	Roller Axle - AY (2) (Nozzle 43414172 req's 4)
6	36414018	Brush Housing S1221, S1315, S1337
7	166649FW	Spring (2)
8	48443003	Brush Back Assem. - AG
9	21447203	Screw - Self Tapping (2)
10	38454004	Brush Back Lever - MV
	38454006	+ Brush Back Lever - ABN S3393-020, S3521, S1221 S1339, S3547
11	21329105	+ Felt Washer

Ref. No.	Part No.	Description
1	43414101	+ Deluxe Rug & Floor Nozzle Assem. - AAP
2	38646045	Nozzle Connector - AAP
3	43244043	Wheel & Bearing Assem. (2)
4	38511016	Wheel Bearing - AAT (2)
5	38615180	Rug & Floor Nozzle - AAP
6	38521018	Roller (2)
7	31511004	Roller Axle - AY (2)
8	38451008	Slider - AG
9	36414013	+ Brush Housing - MV
10	166649FW	Spring (2)
11	48443004	Brush Back Assem. - AG
12	21447203	Screw - Self Tapping (3)
13	34122013	+ Seal (2)
14	38434015	Pedal - MV