

Ref. No.	Part No.	Description
1	21447041	* Screw
2	37195047	Motor Cover - JM
	37195102	Motor Cover - ABN - S3393, S3393-020, S3393-040
	37195106	Motor Cover - NAA - S3531
	37195075	Motor Cover - AG - S3410
3	34163003	Diffuser
4	21366004	* Speed Nut
5	34133007	Seal
6	34132006	+ Pad (4)
7	34143002	Seal
8	43577109	Motor - S3401 - (P - 111)
	43577011	Motor - S3393, S3393-020, S3410 S3393-040, S3397, S3531 (P-174)
9	12227	Insulated Terminal (2)
	27618508	Wire Connector
10	46363039	Attach. Cord - AAP - 16 - S3401
	46363297	+ Attach. Cord - AAP - 20 - S3393, S3393-020, S3397
	46363305	+ Attach Cord - 20 - AG -S3410 S3393-040, S3531
11	27482301	Strain Relief
12	38511015	Wheel Bearing
13	38522058	Wheel - AAP - S3397
	38522061	Wheel - AG - S3393, S3393-020 S3393-040, S3531, S3401, S3410
14	41432040	Wheel Carrier
15	37231049	Main Body - JM - S3401
	37223265	Main Body - JM - S3397
	37223274	Main Body - ABN - S3393, S3393-020, S3393-040

16	37223291	Main Body - ABU - S3531, S3410
17	36151015	Latch
18	31114009	Filter
19	36426012	Filter Support
20	36321011	Motor Retainer
21	21447072	* Screw
	28164276	Switch - S3401
	28161063	Switch
	162961	Insulating Pod
22	37214108	+ Control Panel - MS - S3401
	37214052	Control Panel - AAP - S3397, S3393, S3393-020, S3393-040, S3531
	37214163	Control Panel - AG - S3410
23	38781010	Seal
24	42212047	Bag Housing Lid - JM - S3401
	42212121	Bag Housing Lid - JM - S3397
	42212124	Bag Housing Lid - ABN - S3393
	42212126	Bag Housing Lid - ABN - S3393-020, S3393-040
	42212134	Bag Housing Lid - NAA - S3531
	42212136	Bag Housing Lid - AG - S3410
25	51669054	+ Nameplate - S3397
	51669055	+ Nameplate - S3393, S3393-020
	52125139	+ Nameplate - S3393-040
	52125109	+ Nameplate - S3531
	52125147	Nameplate - S3410
26	4010028K	Paper Bag (3 Pk.)
	4010100K	Allergen Filtration Bag (3 Pk.)
27	21447003	* Screw - S3393-020, S3410
28	36433109	Tool Rack - ABN - S3393-020, S3393-040
	36433064	Tool Rack - NAA - S3531
	36433124	Tool Rack - AG - S3410

	56513225	+ Owner Manual - S3401
	56513318	+ Owner Manual - S3393, S3393-020, S3397
	56513329	+ Owner Manual - S3393-040
	56513346	Owner Manual - S3410, S3531
	58173297	+ Carton - S3401
	59814039	+ Carton - S3397
	59814046	Carton - S3393
	59814055	+ Carton - S3393-020
	59814071	+ Carton - S3393-040
	59814084	+ Carton - S3531
	59814091	Carton - S3410
	58351015	+ Mid Pad
	58353007	+ Bottom Support
	58364013	+ Front Support
	58461020	+ Rear Support
	58461021	+ Rear Support - S3393-040

Cleaning Tools (P-93)

	38614024	Furniture Nozzle - AG
	38617017	Crevice Tool - AG
	43414016	Furniture Brush - AG
	43414064	Dusting Brush - AG
	0M114169	Rug & Floor Nozzle - ABE (P-188) S3393-040, S3531
	43414172	Rug & Floor Nozzle (P-188)
	43434131	+ Hose - AAP - Molded 7'- S3401
	43434231	Hose - AAP - Molded 6'
	43434233	Hose - AG/ABX - Molded 6'- S3393-040, S3531 (*See Note), S3410, S3531
	3863801P	Extension Tube - Poly - AG

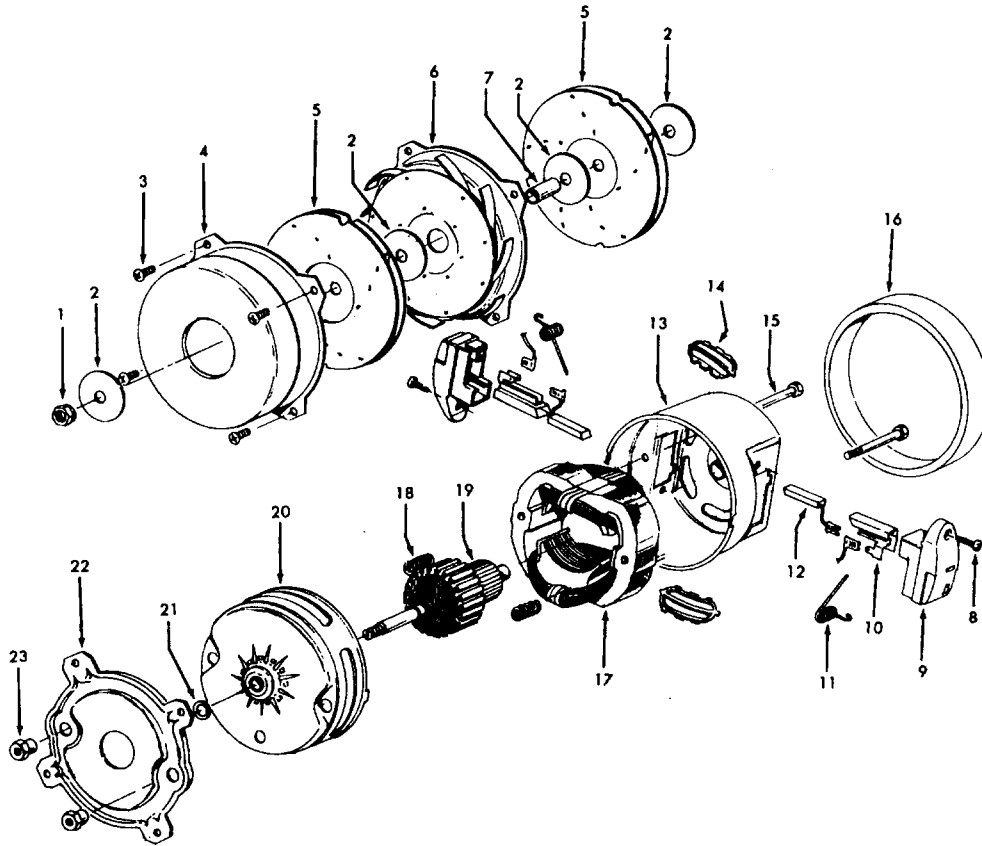
Items not illustrated

	47534018	Thermal Protector - S3393-040, S3531 (models produced prior to 1/97 only)
--	----------	---

* Note: Use hose 43434259 on models S3531 produced after Sept. 3 '98

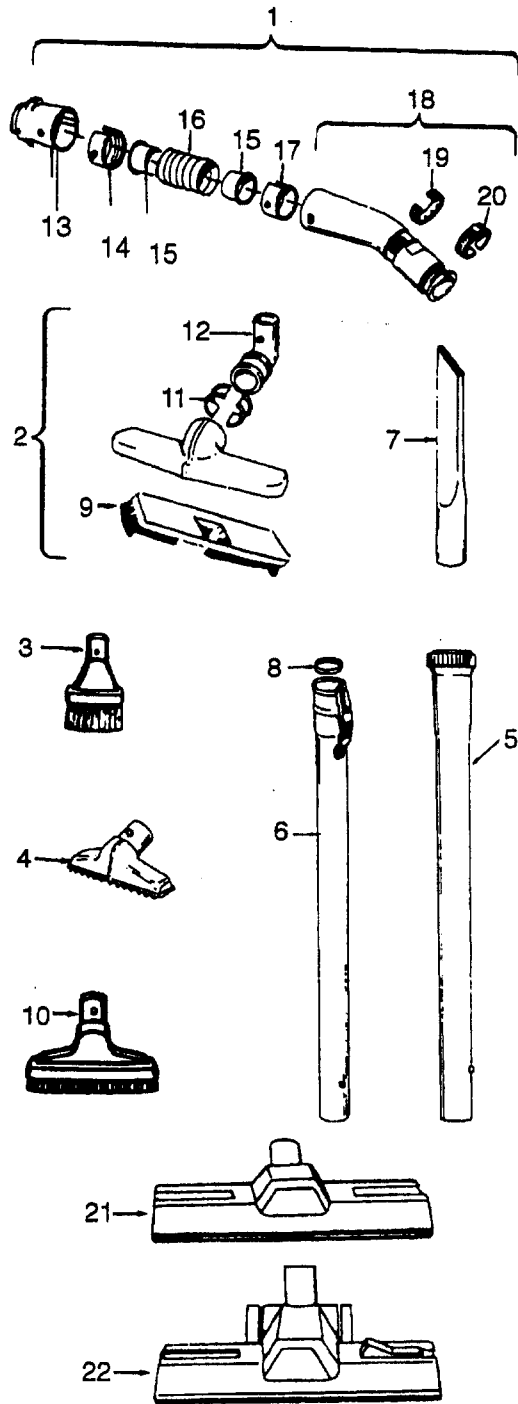
Motor

Model S3203, S3205, S3207, S3209, S3211, S3213, S3241, S3243, S3245, S3247, S3257, S3261, S3263, S3265, S3267 S3291, S3293, S3295, S3401, S3403, S3433



MOTOR 43577109 - (1.7)

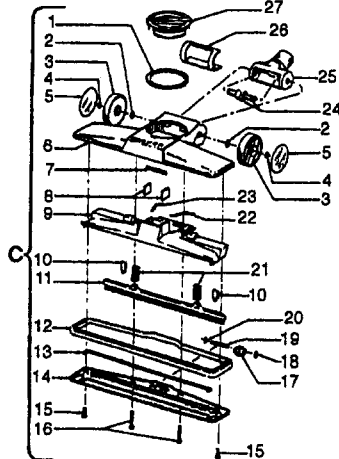
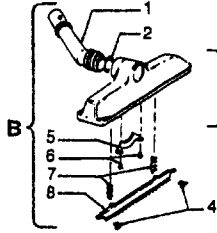
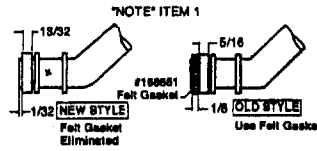
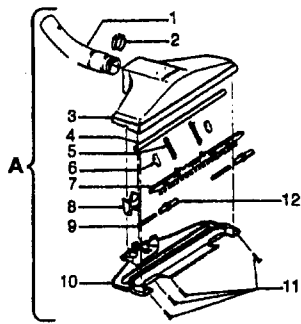
Ref. No.	Part No.	Description
1	33426001	Nut
2	21312701	* Washer
3	21434224	+* Screw
4	37191016	Outerstage Housing
5	43566017	Fan
6	43551005	Interstage
7	31742010	Spacer
8	21429406	* Screw
9	167696AG	Brush Carrier
10	N/A	Brush Holder - Use Brush Carrier Assem. - 47318008 (Inlc. It. 9 - 12)
11	38353004	Spring
12	167681	Carbon Brush
13	42937003	Motor Housing - Upper
14	169702BZ	+* Bushing
15	33421004	+ Bolt
16	31195002	Insulator
17	45311035	Field Coil
18	167721FW	Spring
19	44765171	Armature
20	37191085	Motor Housing - Lower
21	31148002	Spacer
22	36322002	Mounting Plate
23	167695EF	Nut



Ref. No.	Part No.	Description
1	43434191	Hose - JM - S/C - 6'Wire - Celebrity
	43434155	+ Hose - JM - S/C - 6'Wire - Spirit
	43434013	Hose Assem. - Stretch (not pictured)
	43434065	+ Hose - JM - 6'Wire - Spirit
	43434130	+ Hose - JM - 7.5'Molded - Spirit
	43434131	+ Hose - AAP - 7.5'- Molded - Spirit
	43434125	+ Hose - AAP - S/C - 7'- Molded - Spirit
	43434126	+ Hose - AAV - S/C - 6'- Molded - Spirit
	43434231	Hose - AAP - 6'- Molded - Spirit
	43434233	Hose - AG/ABX 6'Molded - Sprint
2	43414072	+ Floor Brush - JM
	43414073	Floor Brush - AG
3	43414064	Dusting Brush - AG
4	43414057	Furniture Nozzle - AAP
	38614020	+ Furniture Nozzle - JM - 1 Pc.
5	38614024	Furniture Nozzle - AG - 1 Pc.
	43453037	+ Extension Tube - Poly - 20 - JM
6	3863801P	Extension Tube - Poly - AG
	43453052	Extension Tube - 20 - AX
7	38617017	Crevice Tool - AG
8	12845JM	Gasket
9	48447001	+ Brush Back
10	43414015	+ Furniture Brush - JM
	43414016	Furniture Brush - AG
11	33712007	Split Ring
12	38644020	Swivel Connector - AG
	38644040	Swivel Connector - AAP
13	32855003	Hose Connector - Celeb.
	38638017	Hose Connector - AAP - Molded Hose
	38638019	Hose Connection - AAP
	38638039	Hose Connector - AG - Molded Hose
14	12615BZ	Collar (All Wire Hoses)
	38671011	Collar (Molded Hoses)
15	32156010	Sleeve (All Hoses)
	38671029	Hose - 6'- AAV - Molded
16	38671033	+ Hose - 6'- ABX - Molded
	36116006	Collar (All Wire Hoses)
17	36171025	Collar (Molded Hose)
	43466044	Hose Grip -AAP -S/C
18	43466066	Hose Grip - AG
	38711006	Suction Control Ring - JM
19	38711007	+ Suction Control Ring - MV
	36153009	Latch Ring - AG
20	43414139	+ Rug & Floor Nozzle - AAP - (P - 188)
	0M114169	Rug & Floor Nozzle - ABE - (P - 188)
21	43414101	+ Rug & Floor Nozzle - DLX - (P - 188)
22		

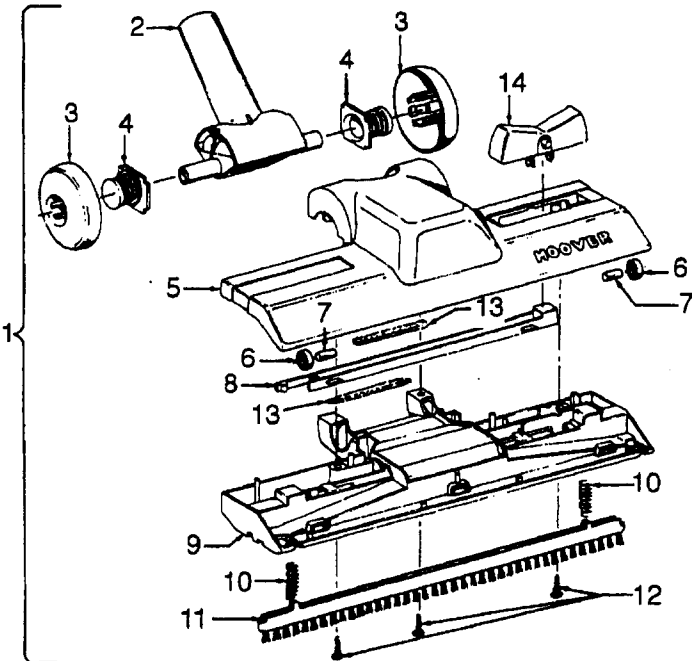
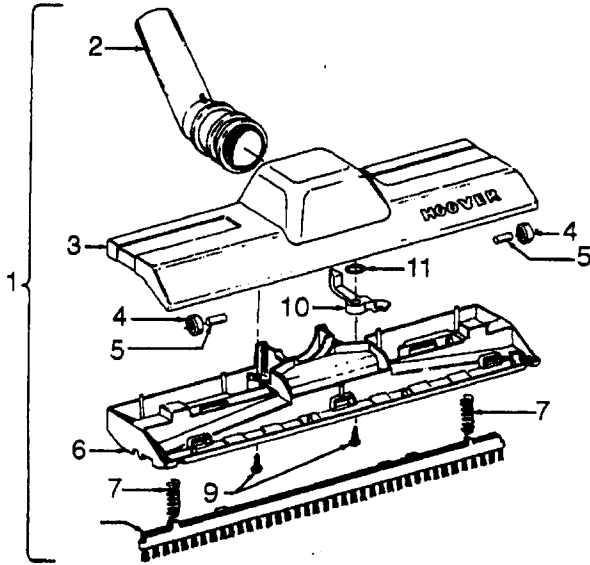
Rug & Floor Nozzle

Models S3183, S3187, S3187-030, S3203, S3205, S3207, S3215, S3241, S3247, S3257, S3259, S3289, S3291, S3299, S3299-031, S3401



A	48476026	+ Rug & Floor Nozzle - AAP - S3205, S3299, S3299-031 (Replaced by 43414101 +)
1	43463012	+ Connector Tube
2	13267	+* Felt Gasket
3	38615156	Nozzle Body - JM - S3299
4	13259PH	+ Litter Picker
5	15963FW	+ Spring
6	13261AY	* Rib Shoe
7	16184	Brush Back
8	161413	+* Tube Retainer
9	31524005	Roller Shaft
10	42246002	+ Bottom Plate
11	12955	* Screw
12	13157AG	+ Roller
B	43414105	+ Rug & Floor Nozzle - AAP - S3183, S3203, S3215, S3241, S3247, S3289, S3291, S3401 (Replaced by 43414121)
1	166652JM	Nozzle Tube (See Note)
2	166651	Gasket
3	43414089	Nozzle Body - JM
4	166646	Brush Retainer
5	166650AY	+ Tube Clamp
6	166648AW	+* Screw
7	166649FW	Spring
8	166656	Brush Back
C	48476064	+ Rug & Floor Nozzle - AAP - S3187, S3187-030 (Replaced by 43414101)
	48476066	+ Rug & Floor Nozzle - JM - S3207, S3257 (Replaced by 43414101)
	43414101	+ Rug & Floor Nozzle - MX - S3259
1	34113001	+ Foam Seal
2	169241AW	* Washer
3	169239JR	+ Wheel
	169239AG	Wheel - S3207
4	13730	* Lock Ring
5	169242	Wheel Cover
6	38615161	+ Nozzle Body - JM
7	34112001	* Foam Seal
8	34223002	+ Felt Seal
9	169250AG	+ Brush Housing
10	169253AY	+ Rib Shoe
11	169256	+ Brush Back
12	169247JR	+ Furniture Guard
	169247JM	+ Furniture Guard - S3207, S3257
13	169251	+ Gasket
14	169538	+ Bottom Plate
15	21481464	+ Screw
16	21481465	+ Screw
17	169243AG	Roller
18	21312758	+* Washer
19	169244AW	Roller Shaft
20	24735081	* Lock Ring
21	166649FW	Spring
22	34513001	Foam Seal - L.H.
23	34513002	Foam Seal - R.H.
24	169240AY	+ Wheel Shaft
25	169249JM	+ Connector Tube
26	34122006	Seal
27	169254JM	+ Control Knob

Rug & Floor Nozzle



Ref. No.	Part No.	Description
1	43414121	+ Standard Rug & Floor Nozzle Assem. - AAP
	43414139	+ Standard Rug & Floor Nozzle Assem. - AAP
	43414140	Standard Rug & Floor Nozzle Assem. - ABE (S3393-020, S3521)
	0M114169	Standard Rug & Floor Nozzle - ABX - S1221, S1315, S1337, S3393-040
	43414170	+ Standard Rug & Floor Nozzle AG - S1339, S3547
	43414172	Standard Rug & Floor Nozzle - AG
2	38646039	Nozzle Tube - AG
3	38615153	+ Rug & Floor Nozzle - AAP
	38615182	Rug & Floor Nozzle - ABE S3393-020, S3521, S1339, S3547, S1221, S1315, S1337
4	38521018	Roller (2) (Nozzle 43414172 req's 4)
5	31511004	Roller Axle - AY (2) (Nozzle 43414172 req's 4)
6	36414018	Brush Housing S1221, S1315, S1337
7	166649FW	Spring (2)
8	48443003	Brush Back Assem. - AG
9	21447203	Screw - Self Tapping (2)
10	38454004	Brush Back Lever - MV
	38454006	+ Brush Back Lever - ABN S3393-020, S3521, S1221 S1339, S3547
11	21329105	+ Felt Washer

Ref. No.	Part No.	Description
1	43414101	+ Deluxe Rug & Floor Nozzle Assem. - AAP
2	38646045	Nozzle Connector - AAP
3	43244043	Wheel & Bearing Assem. (2)
4	38511016	Wheel Bearing - AAT (2)
5	38615180	Rug & Floor Nozzle - AAP
6	38521018	Roller (2)
7	31511004	Roller Axle - AY (2)
8	38451008	Slider - AG
9	36414013	+ Brush Housing - MV
10	166649FW	Spring (2)
11	48443004	Brush Back Assem. - AG
12	21447203	Screw - Self Tapping (3)
13	34122013	+ Seal (2)
14	38434015	Pedal - MV