

| Ref. No. | Part No. | Description |
|----------|----------|---|
| 1 | 21447041 | * Screw |
| 2 | 37195047 | Motor Cover - JM |
| | 37195102 | Motor Cover - ABN - S3393, S3393-020, S3393-040 |
| | 37195106 | Motor Cover - NAA - S3531 |
| | 37195075 | Motor Cover - AG - S3410 |
| 3 | 34163003 | Diffuser |
| 4 | 21366004 | * Speed Nut |
| 5 | 34133007 | Seal |
| 6 | 34132006 | + Pad (4) |
| 7 | 34143002 | Seal |
| 8 | 43577109 | Motor - S3401 - (P - 111) |
| | 43577011 | Motor - S3393, S3393-020, S3410 S3393-040, S3397, S3531 (P-174) |
| 9 | 12227 | Insulated Terminal (2) |
| | 27618508 | Wire Connector |
| 10 | 46363039 | Attach. Cord - AAP - 16 - S3401 |
| | 46363297 | + Attach. Cord - AAP - 20 - S3393, S3393-020, S3397 |
| | 46363305 | + Attach Cord - 20 - AG -S3410 S3393-040, S3531 |
| 11 | 27482301 | Strain Relief |
| 12 | 38511015 | Wheel Bearing |
| 13 | 38522058 | Wheel - AAP - S3397 |
| | 38522061 | Wheel - AG - S3393, S3393-020 S3393-040, S3531, S3401, S3410 |
| 14 | 41432040 | Wheel Carrier |
| 15 | 37231049 | Main Body - JM - S3401 |
| | 37223265 | Main Body - JM - S3397 |
| | 37223274 | Main Body - ABN - S3393, S3393-020, S3393-040 |

| | | |
|----|----------|---|
| 16 | 37223291 | Main Body - ABU - S3531, S3410 |
| | 36151015 | Latch |
| 17 | 31114009 | Filter |
| 18 | 36426012 | Filter Support |
| 19 | 36321011 | Motor Retainer |
| 20 | 21447072 | * Screw |
| 21 | 28164276 | Switch - S3401 |
| | 28161063 | Switch |
| | 162961 | Insulating Pod |
| 22 | 37214108 | + Control Panel - MS - S3401 |
| | 37214052 | Control Panel - AAP - S3397, S3393, S3393-020, S3393-040, S3531 |
| | 37214163 | Control Panel - AG - S3410 |
| 23 | 38781010 | Seal |
| 24 | 42212047 | Bag Housing Lid - JM - S3401 |
| | 42212121 | Bag Housing Lid - JM - S3397 |
| | 42212124 | Bag Housing Lid - ABN - S3393 |
| | 42212126 | Bag Housing Lid - ABN - S3393-020, S3393-040 |
| | 42212134 | Bag Housing Lid - NAA - S3531 |
| | 42212136 | Bag Housing Lid - AG - S3410 |
| 25 | 51669054 | + Nameplate - S3397 |
| | 51669055 | + Nameplate - S3393, S3393-020 |
| | 52125139 | + Nameplate - S3393-040 |
| | 52125109 | + Nameplate - S3531 |
| | 52125147 | Nameplate - S3410 |
| 26 | 4010028K | Paper Bag (3 Pk.) |
| | 4010100K | Allergen Filtration Bag (3 Pk.) |
| 27 | 21447003 | * Screw - S3393-020, S3410 |
| 28 | 36433109 | Tool Rack - ABN - S3393-020, S3393-040 |
| | 36433064 | Tool Rack - NAA - S3531 |
| | 36433124 | Tool Rack - AG - S3410 |

| | | |
|--|----------|--|
| | 56513225 | + Owner Manual - S3401 |
| | 56513318 | + Owner Manual - S3393, S3393-020, S3397 |
| | 56513329 | + Owner Manual - S3393-040 |
| | 56513346 | Owner Manual - S3410, S3531 |
| | 58173297 | + Carton - S3401 |
| | 59814039 | + Carton - S3397 |
| | 59814046 | Carton - S3393 |
| | 59814055 | + Carton - S3393-020 |
| | 59814071 | + Carton - S3393-040 |
| | 59814084 | + Carton - S3531 |
| | 59814091 | Carton - S3410 |
| | 58351015 | + Mid Pad |
| | 58353007 | + Bottom Support |
| | 58364013 | + Front Support |
| | 58461020 | + Rear Support |
| | 58461021 | + Rear Support - S3393-040 |

Cleaning Tools (P-93)

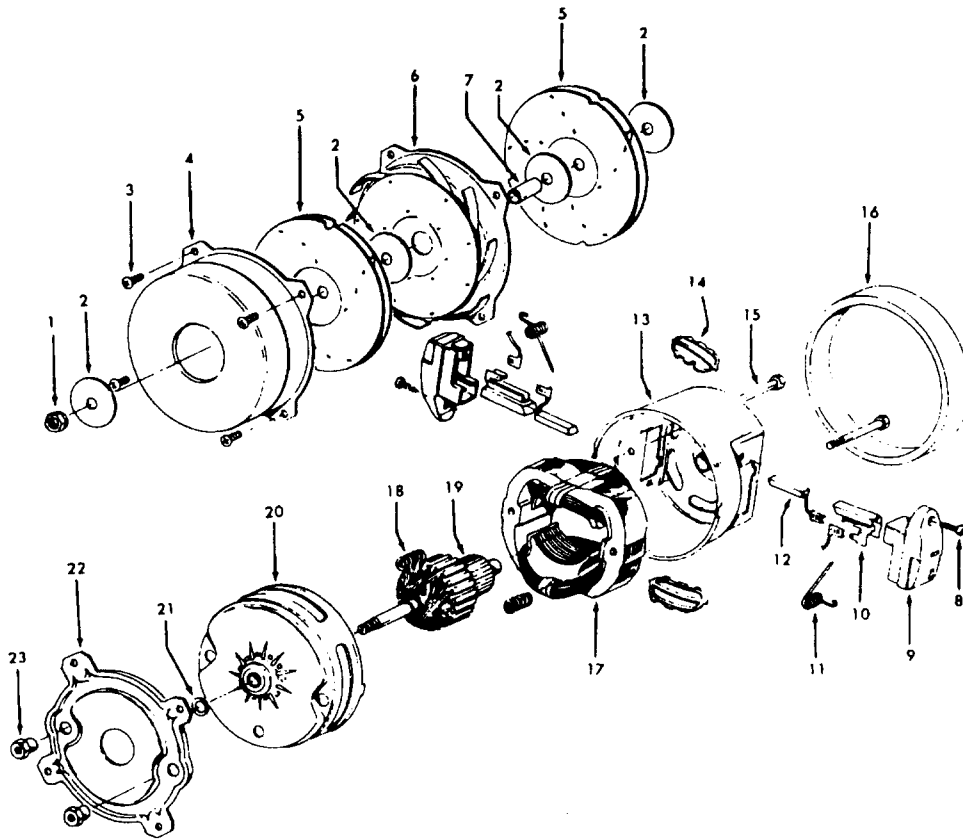
| | | |
|--|----------|---|
| | 38614024 | Furniture Nozzle - AG |
| | 38617017 | Crevice Tool - AG |
| | 43414016 | Furniture Brush - AG |
| | 43414064 | Dusting Brush - AG |
| | 0M114169 | Rug & Floor Nozzle - ABE (P-188) S3393-040, S3531 |
| | 43414172 | Rug & Floor Nozzle (P-188) |
| | 43434131 | + Hose - AAP - Molded 7'- S3401 |
| | 43434231 | Hose - AAP - Molded 6' |
| | 43434233 | Hose - AG/ABX - Molded 6'- S3393-040, S3531 (*See Note), S3410, S3531 |
| | 3863801P | Extension Tube - Poly - AG |

Items not illustrated

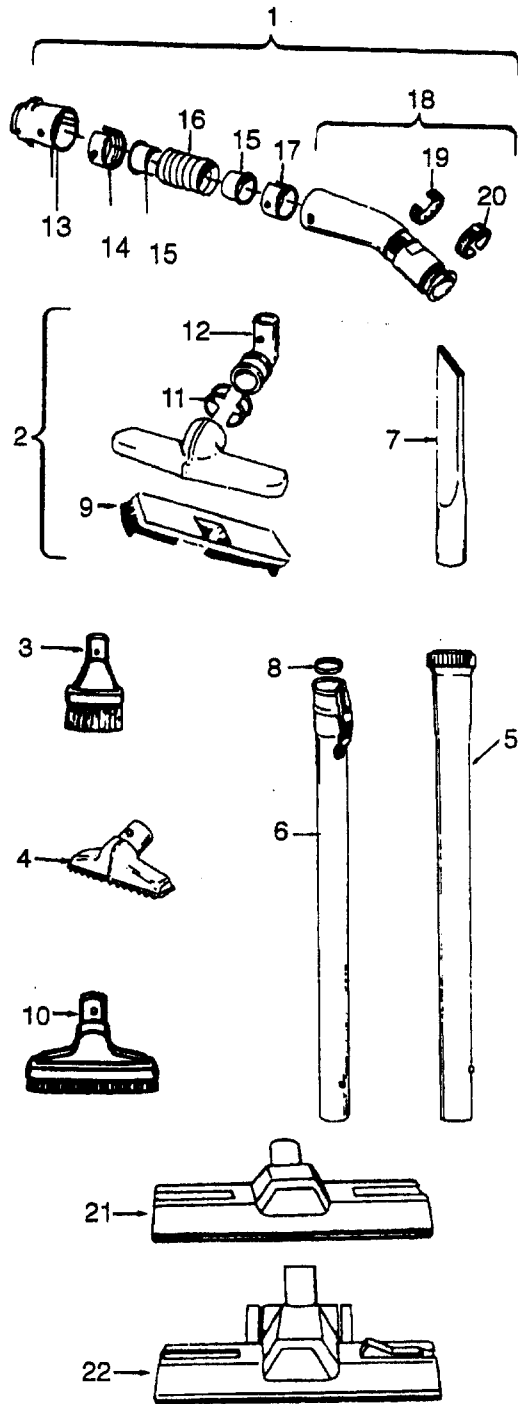
| | | |
|--|----------|---|
| | 47534018 | Thermal Protector - S3393-040, S3531 (models produced prior to 1/97 only) |
|--|----------|---|

* Note: Use hose 43434259 on models S3531 produced after Sept. 3 '98

**Motor - 43577112 +
43577008 +**

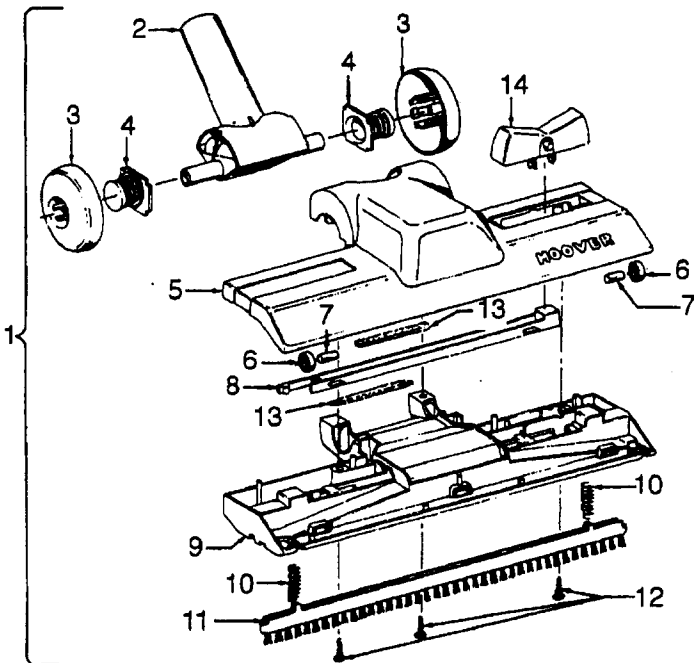
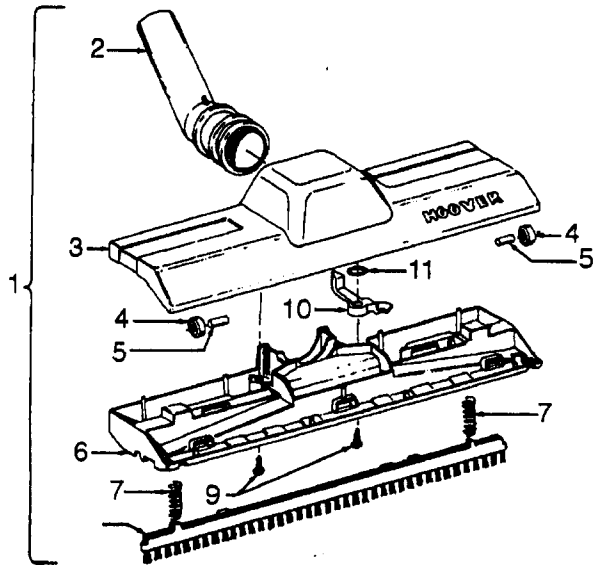


| Ref. No. | Part No. | Description |
|----------|----------|---|
| 1 | 33426001 | Nut |
| 2 | 21312701 | * Washer |
| 3 | 21434224 | +* Screw |
| 4 | 37191016 | Outerstage Housing |
| 5 | 43566017 | Fan |
| 6 | 43551005 | Interstage |
| 7 | 31742010 | Spacer |
| 8 | 21429406 | * Screw |
| 9 | 167696AG | Brush Carrier |
| 10 | N/A | Brush Holder - Use Brush Carrier Assem. 47318008 (Incl. It. 9 - 12) |
| 11 | 38353004 | Spring |
| 12 | 167681 | Carbon Brush |
| 13 | 42937003 | Motor Housing - Upper |
| 14 | 169702BZ | + Bushing |
| 15 | 33421004 | + Bolt |
| 16 | 31195002 | Air Baffle |
| 17 | 45311051 | Field Coil - 1" Stack Height |
| | 45312037 | Field Coil - 3/4" Stack Height |
| 18 | 167721FW | Compression Spring |
| 19 | 44765171 | Armature - 1 " Stack Height |
| | 44765217 | Armature - 3/4" Stack Height |
| 20 | 37191085 | Motor Housing - Lower |
| 21 | 31148002 | Spacer |
| 22 | 36322002 | Mounting Plate |
| 23 | 167695EF | Nut |



| Ref. No. | Part No. | Description |
|----------|----------|--|
| 1 | 43434191 | Hose - JM - S/C - 6'Wire - Celebrity |
| | 43434155 | + Hose - JM - S/C - 6'Wire - Spirit |
| | 43434013 | Hose Assem. - Stretch (not pictured) |
| | 43434065 | + Hose - JM - 6'Wire - Spirit |
| | 43434130 | + Hose - JM - 7.5'Molded - Spirit |
| | 43434131 | + Hose - AAP - 7.5'- Molded - Spirit |
| | 43434125 | + Hose - AAP - S/C - 7'- Molded - Spirit |
| | 43434126 | + Hose - AAV - S/C - 6'- Molded - Spirit |
| | 43434231 | Hose - AAP - 6'- Molded - Spirit |
| | 43434233 | Hose - AG/ABX 6'Molded - Sprint |
| 2 | 43414072 | + Floor Brush - JM |
| | 43414073 | Floor Brush - AG |
| 3 | 43414064 | Dusting Brush - AG |
| 4 | 43414057 | Furniture Nozzle - AAP |
| | 38614020 | + Furniture Nozzle - JM - 1 Pc. |
| | 38614024 | Furniture Nozzle - AG - 1 Pc. |
| 5 | 43453037 | + Extension Tube - Poly - 20 - JM |
| | 3863801P | Extension Tube - Poly - AG |
| 6 | 43453052 | Extension Tube - 20 - AX |
| 7 | 38617017 | Crevice Tool - AG |
| 8 | 12845JM | Gasket |
| 9 | 48447001 | + Brush Back |
| 10 | 43414015 | + Furniture Brush - JM |
| | 43414016 | Furniture Brush - AG |
| 11 | 33712007 | Split Ring |
| 12 | 38644020 | Swivel Connector - AG |
| | 38644040 | Swivel Connector - AAP |
| 13 | 32855003 | Hose Connector - Celeb. |
| | 38638017 | Hose Connector - AAP - Molded Hose |
| | 38638019 | Hose Connection - AAP |
| | 38638039 | Hose Connector - AG - Molded Hose |
| 14 | 12615BZ | Collar (All Wire Hoses) |
| | 38671011 | Collar (Molded Hoses) |
| 15 | 32156010 | Sleeve (All Hoses) |
| 16 | 38671029 | Hose - 6'- AAV - Molded |
| | 38671033 | + Hose - 6'- ABX - Molded |
| 17 | 36116006 | Collar (All Wire Hoses) |
| | 36171025 | Collar (Molded Hose) |
| 18 | 43466044 | Hose Grip -AAP -S/C |
| | 43466066 | Hose Grip - AG |
| 19 | 38711006 | Suction Control Ring - JM |
| | 38711007 | + Suction Control Ring - MV |
| 20 | 36153009 | Latch Ring - AG |
| 21 | 43414139 | + Rug & Floor Nozzle - AAP - (P - 188) |
| | 0M114169 | Rug & Floor Nozzle - ABE - (P - 188) |
| 22 | 43414101 | + Rug & Floor Nozzle - DLX - (P - 188) |

Rug & Floor Nozzle



| Ref. No. | Part No. | Description |
|----------|----------|--|
| 1 | 43414121 | + Standard Rug & Floor Nozzle Assem. - AAP |
| | 43414139 | + Standard Rug & Floor Nozzle Assem. - AAP |
| | 43414140 | Standard Rug & Floor Nozzle Assem. - ABE (S3393-020, S3521) |
| | 0M114169 | Standard Rug & Floor Nozzle - ABX - S1221, S1315, S1337, S3393-040 |
| | 43414170 | + Standard Rug & Floor Nozzle AG - S1339, S3547 |
| | 43414172 | Standard Rug & Floor Nozzle - AG |
| 2 | 38646039 | Nozzle Tube - AG |
| 3 | 38615153 | + Rug & Floor Nozzle - AAP |
| | 38615182 | Rug & Floor Nozzle - ABE S3393-020, S3521, S1339, S3547, S1221, S1315, S1337 |
| 4 | 38521018 | Roller (2) (Nozzle 43414172 req's 4) |
| 5 | 31511004 | Roller Axle - AY (2) (Nozzle 43414172 req's 4) |
| 6 | 36414018 | Brush Housing S1221, S1315, S1337 |
| 7 | 166649FW | Spring (2) |
| 8 | 48443003 | Brush Back Assem. - AG |
| 9 | 21447203 | Screw - Self Tapping (2) |
| 10 | 38454004 | Brush Back Lever - MV |
| | 38454006 | + Brush Back Lever - ABN S3393-020, S3521, S1221 S1339, S3547 |
| 11 | 21329105 | + Felt Washer |

| Ref. No. | Part No. | Description |
|----------|----------|--|
| 1 | 43414101 | + Deluxe Rug & Floor Nozzle Assem. - AAP |
| 2 | 38646045 | Nozzle Connector - AAP |
| 3 | 43244043 | Wheel & Bearing Assem. (2) |
| 4 | 38511016 | Wheel Bearing - AAT (2) |
| 5 | 38615180 | Rug & Floor Nozzle - AAP |
| 6 | 38521018 | Roller (2) |
| 7 | 31511004 | Roller Axle - AY (2) |
| 8 | 38451008 | Slider - AG |
| 9 | 36414013 | + Brush Housing - MV |
| 10 | 166649FW | Spring (2) |
| 11 | 48443004 | Brush Back Assem. - AG |
| 12 | 21447203 | Screw - Self Tapping (3) |
| 13 | 34122013 | + Seal (2) |
| 14 | 38434015 | Pedal - MV |