

ITEMS NOT ILLUSTRATED

47534018 Thermal Protector - S3521

CLEANING TOOLS - (P - 93) - S3521

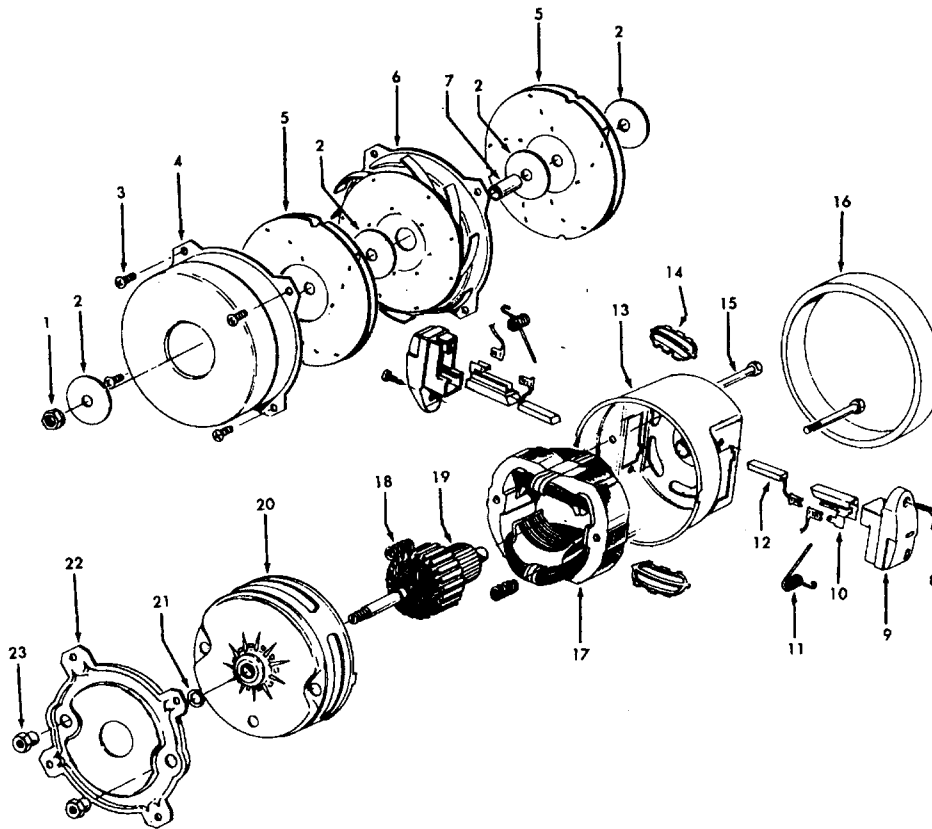
38614024 Furniture Nozzle - AAP
 38617017 Crevice Tool - AG
 3863801P Extension Tube - Poly - AG
 43414064 Dusting Brush - AG
 43414073 Floor Brush - AG
 43414121 Rug & Floor Nozzle - ABE - (P - 188)
 43434233 Hose - AAV/AAP - 6' Molded

Ref. No.	Part No.	Description
1	21447041	* Screw
2	37195063	Motor Cover - MR - S3429
	37195104	Motor Cover - ABP - S3521
3	34163003	Diffuser
4	21366004	* Speed Nut
5	34133007	Seal
6	34132006	+ Pad
7	34143002	Seal
8	43577013	+ Motor - 2.2 - S3429 -(P - 163)
	43577011	Motor - S3521
9	48969	* Wire Nut
	12227	* Insulated Terminal
10	46363039	Attach. Cord - AAP - 16
11	27482301	Strain Relief
12	38511015	Wheel Bearing - AG
13	38522058	Wheel - AAP - S3429
	38522061	Wheel - AG - S3521
15	41432040	Wheel Carrier - AG
17	37231070	Main Body - AAP - S3429
	37223275	Main Body - ABP - S3521
18	36151015	Latch
19	31114009	Filter
20	36426012	Filter Support
21	36321011	Motor Retainer
22	21447072	* Screw
24	28164276	Switch
	28161063	Switch Assm. - S3521
25	37214052	Control Panel - AAP- S3429, S3521
26	21447027	.* Screw - S3429
	21447041	* Screw - S3521
27	36172046	Spring Clip
28	51151010	Bag Indicator
29	38781010	Lid Seal
30	42212073	Bag Hsg. Lid - NAA - S3429
	42212127	Bag Hsg. Lid - ABP - S3521
31	51375109	+ Nameplate - S3429
	52125137	+ Nameplate - S3521
32	4010028K	Paper Bag - 3 Pk.
36	36433064	Tool Rack - NAA - S3429
	36433088	Tool Rack - ABP - S3521
37	21447003	* Screw

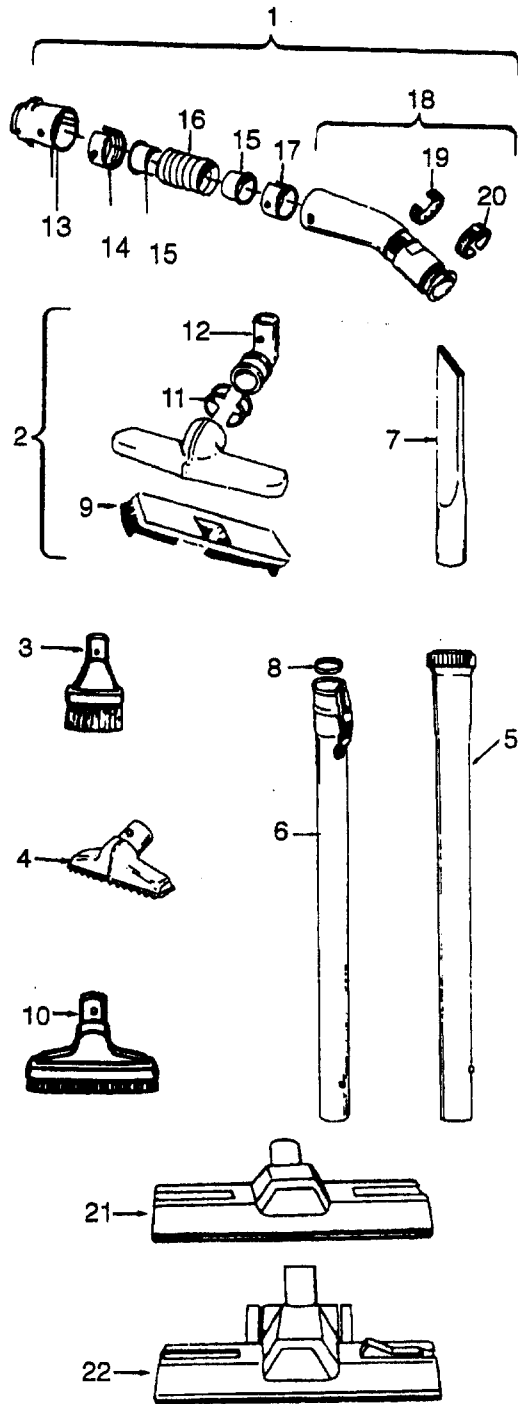
56513251 + Owner Manual - S3429
 56513327 + Owner Manual - S3521
 58173375 + Carton - S3429
 59814069 + Carton - S3521
 58351015 + Mid Pad
 58353007 + Bottom Support
 58364015 + Front Support
 58461023 + Top Support

CLEANING TOOLS - (P - 93) - S3429

38614024 Furniture Nozzle - AG
 38617017 Crevice Tool - AG
 43414064 Dusting Brush - AG
 43414101 + Rug & Floor Nozzle - AAP
 43434013 CL. Tool Hose Assem.
 3863801P Ext. Tube - Poly - AG

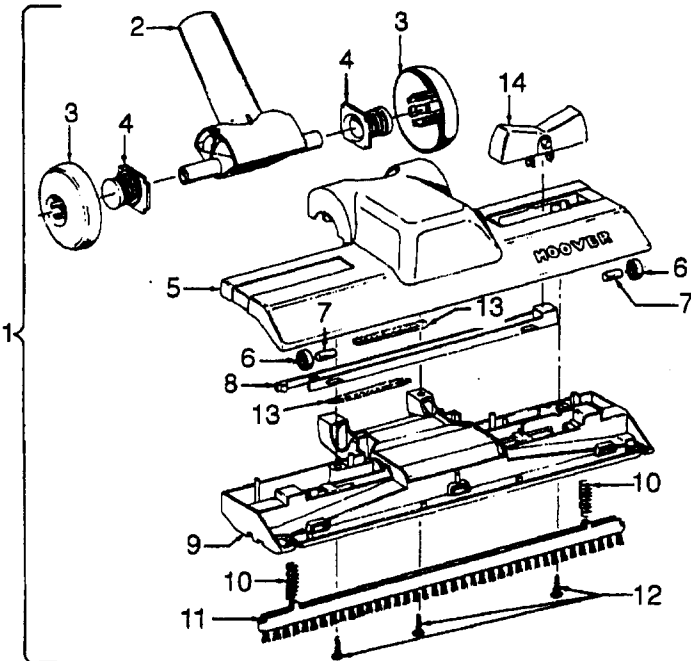
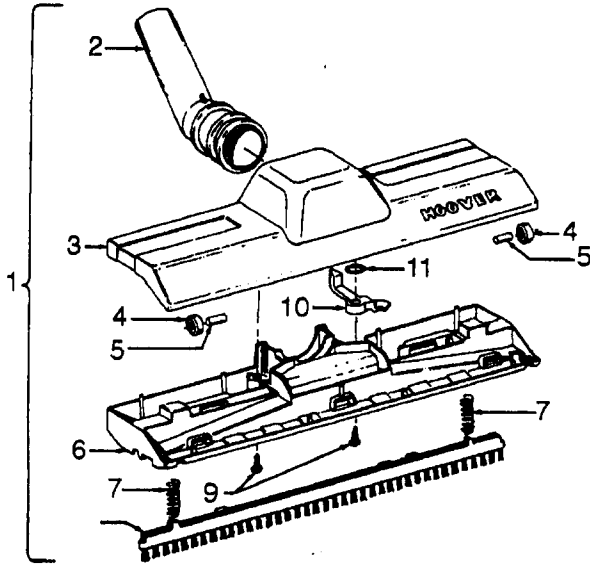


Ref. No.	Part No.	Description
1	33426001	Nut
2	21312701	* Washer
3	21434224	+* Screw
4	37191016	Outerstage Housing
5	43566017	Fan
6	43551005	Interstage
7	31742010	Spacer
8	21429406	* Screw
9	167696AG	Brush Carrier
10	N/A	Brush Holder - Use Brush Carrier Assem. 47318008 (Incl. It. 9-12)
11	38353004	Spring
12	167681	Carbon Brush
13	42937003	Motor Housing - Upper
14	169702BZ	+* Bushing
15	33421004	+ Bolt
16	31195002	Air Baffle
17	45311051	Field Coil
18	167721FW	Compression Spring
19	44765171	Armature
20	37191085	Motor Housing - Lower
21	31148002	Spacer
22	36322002	Mounting Plate
23	167695EF	Nut



Ref. No.	Part No.	Description
1	43434191	Hose - JM - S/C - 6'Wire - Celebrity
	43434155	+ Hose - JM - S/C - 6'Wire - Spirit
	43434013	Hose Assem. - Stretch (not pictured)
	43434065	+ Hose - JM - 6'Wire - Spirit
	43434130	+ Hose - JM - 7.5'Molded - Spirit
	43434131	+ Hose - AAP - 7.5'- Molded - Spirit
	43434125	+ Hose - AAP - S/C - 7'- Molded - Spirit
	43434126	+ Hose - AAV - S/C - 6'- Molded - Spirit
	43434231	Hose - AAP - 6'- Molded - Spirit
	43434233	Hose - AG/ABX 6'Molded - Sprint
	2	43414072
43414073		Floor Brush - AG
3	43414064	Dusting Brush - AG
4	43414057	Furniture Nozzle - AAP
	38614020	+ Furniture Nozzle - JM - 1 Pc.
5	38614024	Furniture Nozzle - AG - 1 Pc.
	43453037	+ Extension Tube - Poly - 20 - JM
6	3863801P	Extension Tube - Poly - AG
	43453052	Extension Tube - 20 - AX
7	38617017	Crevice Tool - AG
8	12845JM	Gasket
9	48447001	+ Brush Back
10	43414015	+ Furniture Brush - JM
	43414016	Furniture Brush - AG
11	33712007	Split Ring
12	38644020	Swivel Connector - AG
	38644040	Swivel Connector - AAP
13	32855003	Hose Connector - Celeb.
	38638017	Hose Connector - AAP - Molded Hose
	38638019	Hose Connection - AAP
	38638039	Hose Connector - AG - Molded Hose
14	12615BZ	Collar (All Wire Hoses)
	38671011	Collar (Molded Hoses)
15	32156010	Sleeve (All Hoses)
16	38671029	Hose - 6'- AAV - Molded
	38671033	+ Hose - 6'- ABX - Molded
17	36116006	Collar (All Wire Hoses)
	36171025	Collar (Molded Hose)
18	43466044	Hose Grip -AAP -S/C
	43466066	Hose Grip - AG
19	38711006	Suction Control Ring - JM
	38711007	+ Suction Control Ring - MV
20	36153009	Latch Ring - AG
21	43414139	+ Rug & Floor Nozzle - AAP - (P - 188)
	0M114169	Rug & Floor Nozzle - ABE - (P - 188)
22	43414101	+ Rug & Floor Nozzle - DLX - (P - 188)

Rug & Floor Nozzle



Ref. No.	Part No.	Description
1	43414121	+ Standard Rug & Floor Nozzle Assem. - AAP
	43414139	+ Standard Rug & Floor Nozzle Assem. - AAP
	43414140	Standard Rug & Floor Nozzle Assem. - ABE (S3393-020, S3521)
	0M114169	Standard Rug & Floor Nozzle - ABX - S1221, S1315, S1337, S3393-040
	43414170	+ Standard Rug & Floor Nozzle AG - S1339, S3547
	43414172	Standard Rug & Floor Nozzle - AG
2	38646039	Nozzle Tube - AG
3	38615153	+ Rug & Floor Nozzle - AAP
	38615182	Rug & Floor Nozzle - ABE S3393-020, S3521, S1339, S3547, S1221, S1315, S1337
4	38521018	Roller (2) (Nozzle 43414172 req's 4)
5	31511004	Roller Axle - AY (2) (Nozzle 43414172 req's 4)
6	36414018	Brush Housing S1221, S1315, S1337
7	166649FW	Spring (2)
8	48443003	Brush Back Assem. - AG
9	21447203	Screw - Self Tapping (2)
10	38454004	Brush Back Lever - MV
	38454006	+ Brush Back Lever - ABN S3393-020, S3521, S1221 S1339, S3547
11	21329105	+ Felt Washer

Ref. No.	Part No.	Description
1	43414101	+ Deluxe Rug & Floor Nozzle Assem. - AAP
2	38646045	Nozzle Connector - AAP
3	43244043	Wheel & Bearing Assem. (2)
4	38511016	Wheel Bearing - AAT (2)
5	38615180	Rug & Floor Nozzle - AAP
6	38521018	Roller (2)
7	31511004	Roller Axle - AY (2)
8	38451008	Slider - AG
9	36414013	+ Brush Housing - MV
10	166649FW	Spring (2)
11	48443004	Brush Back Assem. - AG
12	21447203	Screw - Self Tapping (3)
13	34122013	+ Seal (2)
14	38434015	Pedal - MV