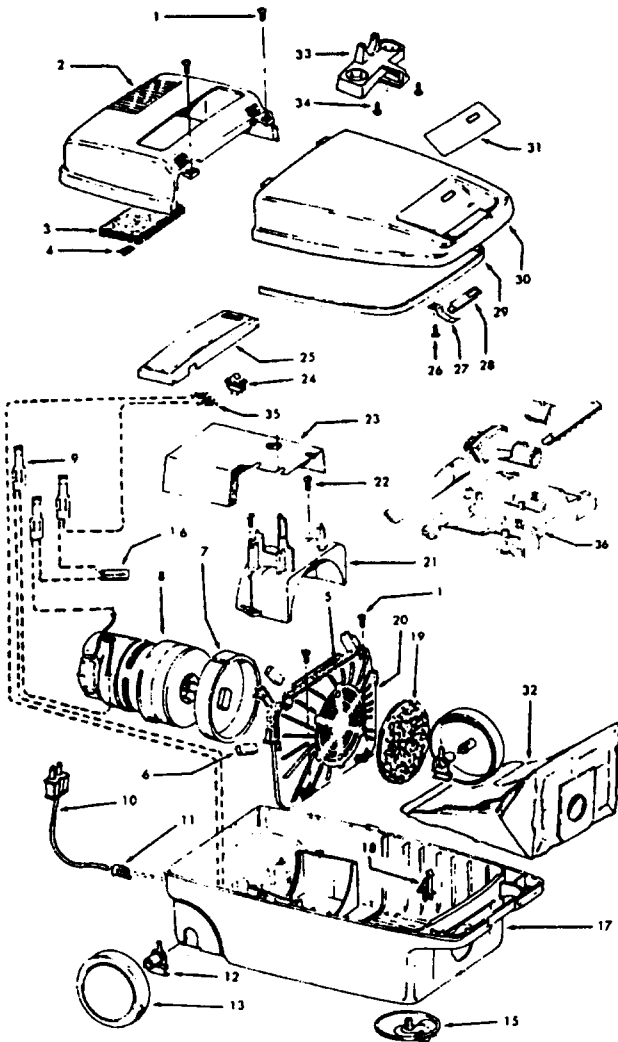


Spirit

S3431, S3485, S3627 External Tool Rack
S3485-070 Internal Tool Storage



Model S3431, S3485, S3485-070, S3627

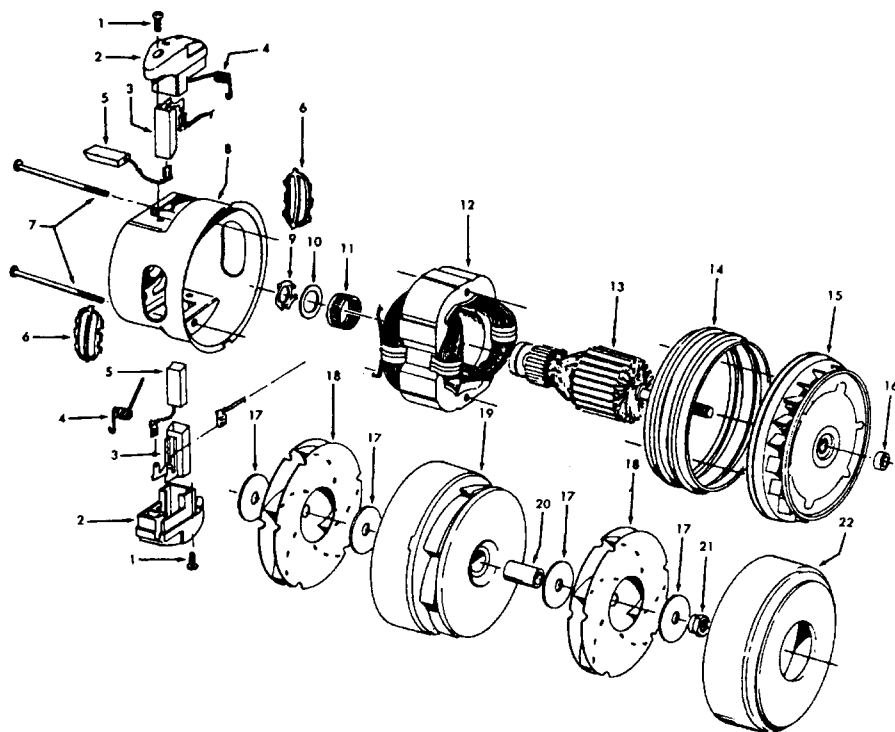
Ref. No.	Part No.	Description
1	21447041	* Screw
	37195084	Motor Cover - AAM - S3431
	37195075	Motor Cover - AG - S3485, S3485-070
	37195089	+ Motor Cover - WW - S3627
3	34163003	Diffuser
4	21366004	* Speed Nut
5	34133007	Seal
6	34132015	+ Pad
7	34143002	Seal
	43578051	Motor - 3.1 - S3431, S3627 - (P-156)
	43578069	Motor - 4.0 - S3485, S3485-070 (P-156)
9	12227	* Insulated Terminal (2W)
	48969	* Wire Nut (2W)

Ref. No.	Part No.	Description
10	46363039	Attach Cord - AAP - 16 - S3431, S3485
	46363305	Attach Cord - AG - 20 - S3485-070, S3627
11	27482301	Strain Relief
12	38511015	Wheel Bearing - AG
13	38522058	Wheel - AAP - S3431
	38522061	Wheel - AG S3485, S3485-070, S3627
15	41432040	Wheel Carrier
16	47534018	Thermal Protector
17	37231069	Main Body - AAP - S3431, S3627
	37223213	(Incl. Item 16) Main Body - AG - S3485, S3485-070
		(Incl. Item 16)
18	36151015	Latch
19	31114010	Filter
20	36426014	Bulkhead
21	36321012	Motor Retainer
22	21447072	* Screw
23	34287021	Foam Muffler
24	28164276	Switch
25	37214052	Control Panel
	37214167	Control Panel - AG - S3627
26	21447027	+* Screw - S3485, S3485-070
27	36172046	Spring Clip - S3485, S3485-070
28	51151010	Bag Indicator - S3485, S3485-070
29	38781010	Lid Seal
30	42212075	Bag Housing Lid - AAM - S3431
	42212096	Bag Housing Lid - AG - S3485
	42212102	+ Bag Housing Lid - AG - S3485-070
	42212118	Bag Housing Lid - WW - S3627
31	52125112	+ Nameplate
	51375064	+ Nameplate - S3485, S3485-070
	52125123	+ Nameplate - S3431, S3627
32	4010028 K	Paper Bag - 3 Pk.
33	36433059	Tool Rack - AAM - S3431
	36433060	Tool Rack - AG - S3485
34	21447003	* Screw - S3431, S3485
35	160472	+ Switch Insulating Pod
36	36433071	Tool Storage Tray - S3485-070, S3627
	56513252	Owner Manual - S3431, S3485
	56513281	+ Owner Manual - S3485-070
	56513310	Owner Manual - S3627
	58173375	+ Carton - S3431, S3485
	58173374	+ Carton - S3485-070
	59814027	+ Carton - S3627
	58351015	+ Mid Pad
	58353007	+ Bottom Support
	58364015	+ Front Support - S3431, S3485
	58364013	+ Front Support - S3485-070, S3627
	58461023	+ Top Support - S3431, S3485
	58461021	+ Top Support - S3485-070, S3627

CLEANING TOOLS - (P-93)

38614024	Furniture Nozzle - AG
38617017	Crevice Tool - AG
43414064	Dusting Brush - AG
43414073	Floor Brush - AG
43414101	+ Rug & Floor Nozzle - AAP
0M114169	Rug & Floor Nozzle - S3627
43434233	Hose - AG/ABX - 6 - Molded - S/C - Spirit
43434013	Hose - S3431
3863801P	Ext. Tube - Poly - AG
43453027	Extension Tube

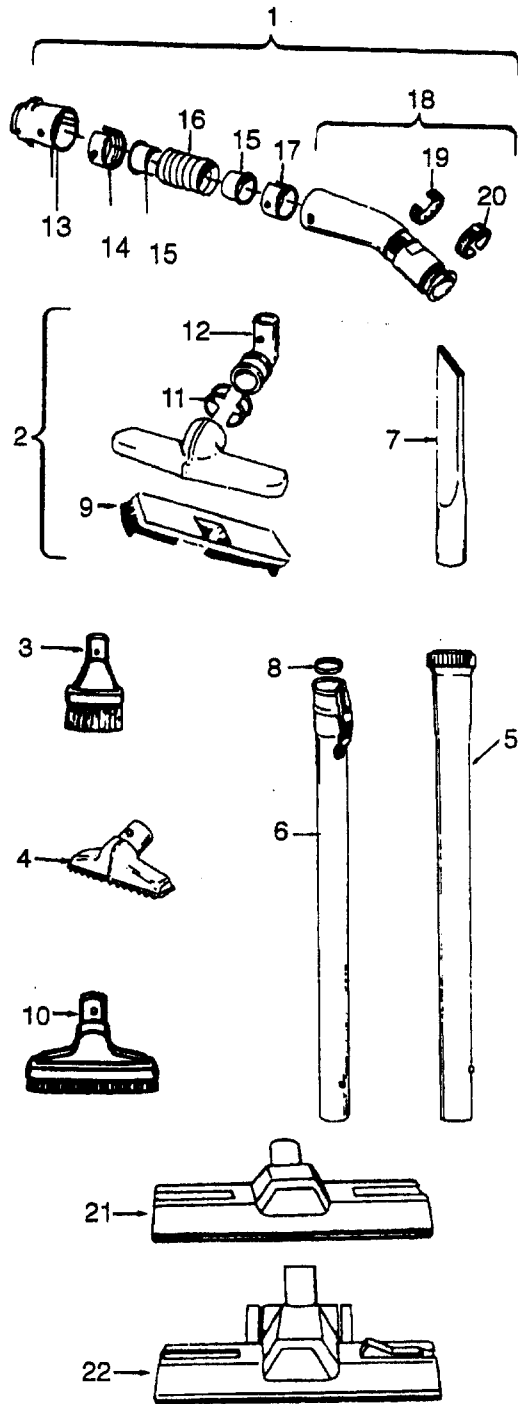
Motor 43578051 (3.1)
43578069 (4.0)



Ref. No.	Part No.	Description
1	21429406	* Screw
2	168038AG	Brush Carrier
3	168506--	Brush Holder
4	38353004	Spring
5	167679	Carbon Brush
6	169702BZ	+ Bushing
7	36112003	* Bolt 3.1
	21563061	Bolt 4.0
8	42192016	Motor Housing
9	21345116	+ Spring Washer
10	21312778	+* Thrust Washer
11	24198002	Star Ring
12	45311048	Field Coil 3.1
	45311022	+ Field Coil 4.0
13	44765185	Armature 3.1
	44765225	Armature 4.0
14	31195003	Motor Mount Insulator 3.1
	31195004	Motor Mount Insulator 4.0
15	43551013	Diffuser
16	31148009	Spacer
17	21312701	* Washer
18	43566017	Fan
19	42192033	Interstage
20	31743003	Spacer
21	33426001	Nut
22	37196087	Fan Cover

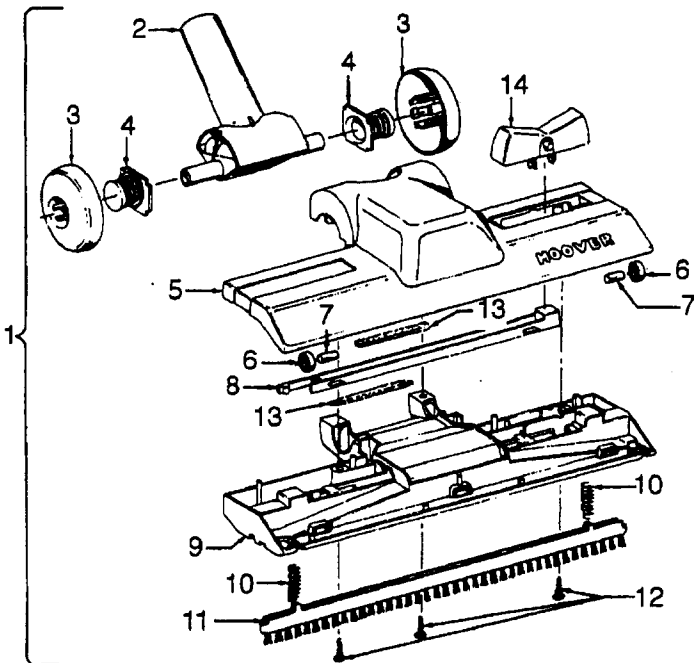
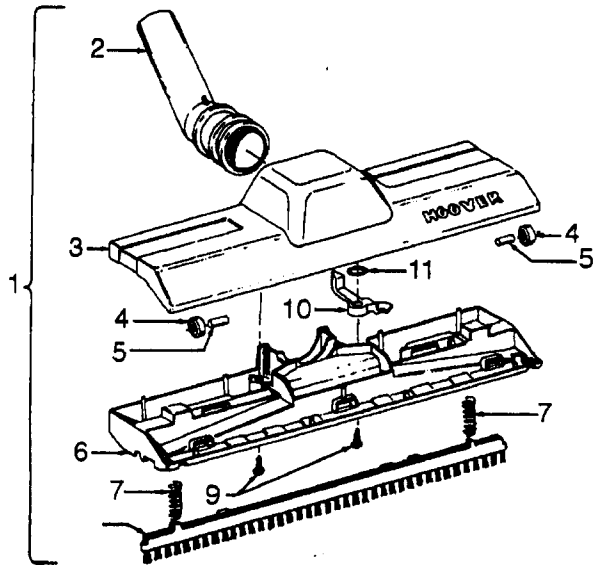
Motor:

	43578051	43578069
	S3259	S3269-036
	S3269	S3269-070
	S3269-060	S3271-036
	S3271	S3271-070
	S3271-060	S3483
	S3295-031	S3485
	S3299-031	S3485-070
	S3405	S3487
	S3419	S3499
	S3423	S3501
	S3441-031	S3503
	S3441-070	S3505
	S3473	S3621
	S3475	S3629
	S3481	S3631
	S3627	



Ref. No.	Part No.	Description
1	43434191	Hose - JM - S/C - 6'Wire - Celebrity
	43434155	+ Hose - JM - S/C - 6'Wire - Spirit
	43434013	Hose Assem. - Stretch (not pictured)
	43434065	+ Hose - JM - 6'Wire - Spirit
	43434130	+ Hose - JM - 7.5'Molded - Spirit
	43434131	+ Hose - AAP - 7.5'- Molded - Spirit
	43434125	+ Hose - AAP - S/C - 7'- Molded - Spirit
	43434126	+ Hose - AAV - S/C - 6'- Molded - Spirit
	43434231	Hose - AAP - 6'- Molded - Spirit
	43434233	Hose - AG/ABX 6'Molded - Sprint
	2	43414072
43414073		Floor Brush - AG
3	43414064	Dusting Brush - AG
4	43414057	Furniture Nozzle - AAP
	38614020	+ Furniture Nozzle - JM - 1 Pc.
5	38614024	Furniture Nozzle - AG - 1 Pc.
	43453037	+ Extension Tube - Poly - 20 - JM
6	3863801P	Extension Tube - Poly - AG
	43453052	Extension Tube - 20 - AX
7	38617017	Crevice Tool - AG
8	12845JM	Gasket
9	48447001	+ Brush Back
10	43414015	+ Furniture Brush - JM
	43414016	Furniture Brush - AG
11	33712007	Split Ring
12	38644020	Swivel Connector - AG
	38644040	Swivel Connector - AAP
13	32855003	Hose Connector - Celeb.
	38638017	Hose Connector - AAP - Molded Hose
	38638019	Hose Connection - AAP
	38638039	Hose Connector - AG - Molded Hose
14	12615BZ	Collar (All Wire Hoses)
	38671011	Collar (Molded Hoses)
15	32156010	Sleeve (All Hoses)
16	38671029	Hose - 6'- AAV - Molded
	38671033	+ Hose - 6'- ABX - Molded
17	36116006	Collar (All Wire Hoses)
	36171025	Collar (Molded Hose)
18	43466044	Hose Grip -AAP -S/C
	43466066	Hose Grip - AG
19	38711006	Suction Control Ring - JM
	38711007	+ Suction Control Ring - MV
20	36153009	Latch Ring - AG
21	43414139	+ Rug & Floor Nozzle - AAP - (P - 188)
	0M114169	Rug & Floor Nozzle - ABE - (P - 188)
22	43414101	+ Rug & Floor Nozzle - DLX - (P - 188)

Rug & Floor Nozzle



Ref. No.	Part No.	Description
1	43414121	+ Standard Rug & Floor Nozzle Assem. - AAP
	43414139	+ Standard Rug & Floor Nozzle Assem. - AAP
	43414140	Standard Rug & Floor Nozzle Assem. - ABE (S3393-020, S3521)
	0M114169	Standard Rug & Floor Nozzle - ABX - S1221, S1315, S1337, S3393-040
	43414170	+ Standard Rug & Floor Nozzle AG - S1339, S3547
	43414172	Standard Rug & Floor Nozzle - AG
2	38646039	Nozzle Tube - AG
3	38615153	+ Rug & Floor Nozzle - AAP
	38615182	Rug & Floor Nozzle - ABE S3393-020, S3521, S1339, S3547, S1221, S1315, S1337
4	38521018	Roller (2) (Nozzle 43414172 req's 4)
5	31511004	Roller Axle - AY (2) (Nozzle 43414172 req's 4)
6	36414018	Brush Housing S1221, S1315, S1337
7	166649FW	Spring (2)
8	48443003	Brush Back Assem. - AG
9	21447203	Screw - Self Tapping (2)
10	38454004	Brush Back Lever - MV
	38454006	+ Brush Back Lever - ABN S3393-020, S3521, S1221 S1339, S3547
11	21329105	+ Felt Washer

Ref. No.	Part No.	Description
1	43414101	+ Deluxe Rug & Floor Nozzle Assem. - AAP
2	38646045	Nozzle Connector - AAP
3	43244043	Wheel & Bearing Assem. (2)
4	38511016	Wheel Bearing - AAT (2)
5	38615180	Rug & Floor Nozzle - AAP
6	38521018	Roller (2)
7	31511004	Roller Axle - AY (2)
8	38451008	Slider - AG
9	36414013	+ Brush Housing - MV
10	166649FW	Spring (2)
11	48443004	Brush Back Assem. - AG
12	21447203	Screw - Self Tapping (3)
13	34122013	+ Seal (2)
14	38434015	Pedal - MV