

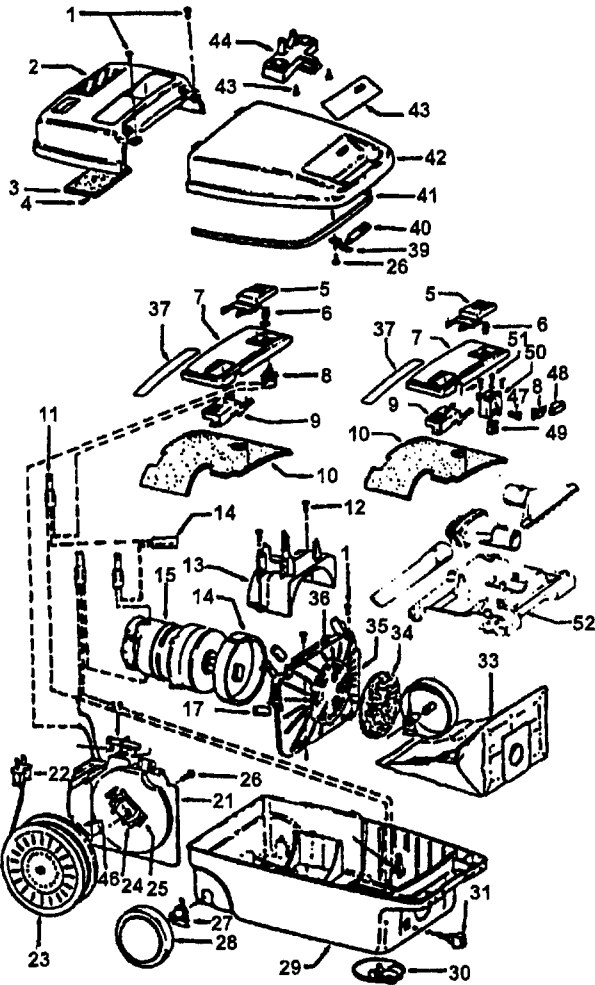
Ref. No.	Part No.	Description
1	46321088	Cord - AG - Standard Plug
2	42252174	+ Nozzle Body
3	48416009	Agitator - 4B
4	163768	Strain Relief
5	34663003	Bracket - RH
6	43482024	Nozzle Connector - LZ
7	12227	* Insulated Terminal (2 Wire)
	48969	* Wire Nut (2 Wire)
8	34112005	* Seal
9	34337003	* Seal
10	21447041	* Screw
11	32175025	Wheel - AG
12	31523005	Wheel Shaft
13	42246120	Bottom Plate (Incl. Items 11,12)
14	21447007	* Screw
15	34337004	* Lower Seal
16	42256090	+ Duct Cover
17	34123015	* Seal
18	35276001	* Detent Spring
19	43177073	Motor
20	35271001	Bracket - LH
21	38528011	Belt

Agitator - 4B 48416009

1	41435018	Thread Guard
2	43267002	Bearing
3	21347003	* Washer
4	36422001	End
5	48445017	Agitator Brush
6	160070	Shaft
8	38537002	End Pulley
9	41435021	Thread Guard

Spirit

S3441-031 External Tool Rack
 S3441-070 Internal Tool Storage



CLEANING TOOLS - (P-92)

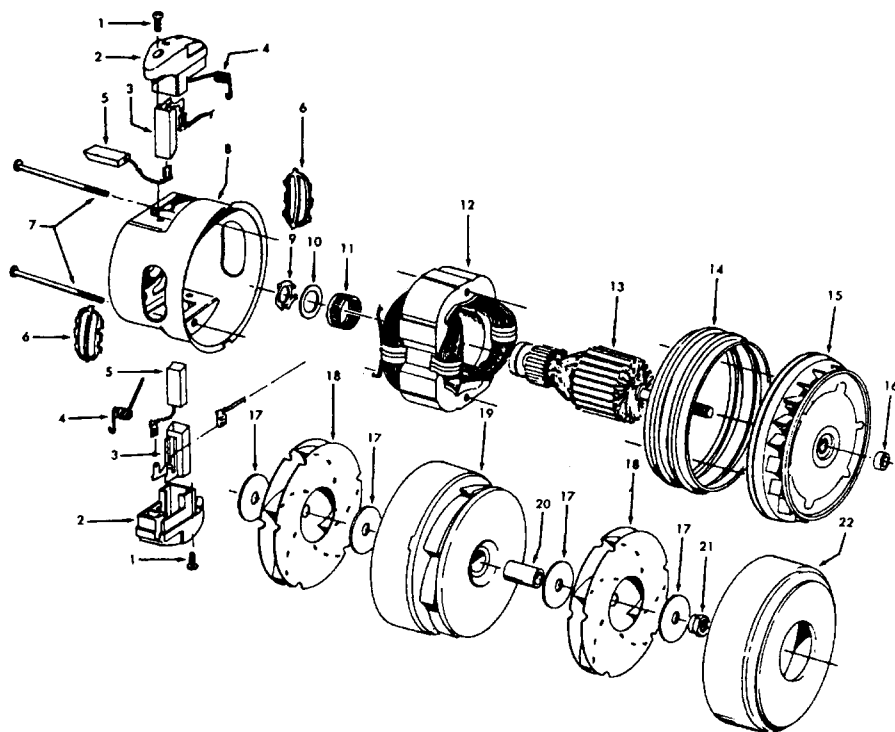
- 38617017 Crevice Tool - AG
- 43414057 Furniture Nozzle - AG
- 43414064 Dusting Brush - AG
- 43414073 Floor Brush - AG
- 43433111 Hose - 2W - AG
- 43453052 Extension Tube - 20 - AX
- 48438224 Power Nozzle - MT - S3423 - (P-147)
- 48438024 Power Nozzle - MX - S3475 - (P-155)
- 48438190 Power Nozzle - LZ - S3441-031, S3441-070 (P-173)

Ref. No.	Part No.	Description
1	21447041	* Screw
2	37195074	Motor Cover - AG - S3423, S3475
	37195068	Motor Cover - AAR - S3441-031, S3441-070
3	34163003	Diffuser
4	21366004	* Speed Nut
5	38422073	Switch Pedal - Push Switch - AG - S3423, S3441-031, S3475
	38422149	Switch Pedal - Slide Switch - WW - S3441-031, S3441-070
6	38314002	Spring - Push Switch - S3423, S3441-031, S3475
	38319002	+ Spring - Slide Switch - S3441-031, S3441-070

Models S3423, S3441-031, S3441-070, S3475

Ref. No.	Part No.	Description
7	37214130	Control Panel - Push Switch - WW - S3423, S3441-031, S3475
	37214142	+ Control Panel - Slide Switch - WW - S3441-031, S3441-070
8	28212026	Switch - Push
	28177019	Switch - Slide - S3441-031, S3441-070
9	38422104	+ Cord Reel Pedal - Push Switch - WW - S3423, S3441-031, S3475
	38422117	Cord Reel Pedal - Slide Switch - WW - S3441-031, S3441-070
10	34287021	Exhaust Muffler
11	18972	* Insulated Terminal (3 Wire)
12	21447072	* Screw
13	36321012	Motor Retainer
14	34143003	Seal
15	43578051	Motor - 3.1 - (P- 1 56)
16	47534018	Thermal Protector
17	34132015	+ Pad
18	36222008	Brake Pad
19	38458008	Brake Arm
20	38353009	+ Spring
21	37215170	+ Cord Reel Support - AG
22	46383311	Cord - AG - 20
23	46831106	Cord Reel - AAP
24	47348076	Brush Block
25	34165004	Insulator
26	21447003	* Screw - 5/8
	21447072	* Screw - 7/8
27	38511015	Wheel Bearing
28	38522061	Wheel - AG
	38522058	Wheel - AAP - S3441-031, S3441-070
29	37223193	Main Body - MU - S3423
	37223198	Main Body - AAK - S3475
	37231072	Main Body - AAP - S3441-031, S3441-070
30	41432040	Wheel Carrier
31	46326079	Receptacle Assem. - AG
32	36151015	Latch
33	4010028K	Paper Bag - 3 Pk.
34	31114010	Filter
35	36426014	Bulkhead
36	34133007	Seal
37	51661017	+ Nameplate
38	21447027	+* Screw
39	36172046	Spring Clip
40	51151010	Bag Indicator
41	38781010	Seal
42	42212034	Bag Housing Lid - LZ - S3475, S3423
	42212072	Bag Housing Lid - AAR - S3441-031
	42212105	Bag Housing Lid - AAR - S3441-070
43	21447003	* Screw
44	36433049	Tool Rack - MT - S3423
	36433046	Tool Rack - KR - S3475
	36433062	+ Tool Rack - AAR - S3441-031
45	51375110	+ Nameplate
46	46831076	Commutator Block
47	38561003	Axle - S3441-031, S3441-070
48	37258082	Terminal Shield S3441-031, S3441-070
49	34361001	Switch Actuator - S3441-031, S3441-070
50	42262075	Actuator Housing - S3441-031, S3441-070
51	38458002	* Depressor - S3441-031, S3441-070
52	36433071	Tool Storage Tray - S3441-070
	56513242	+ Owner Manual
	56513249	Owner Manual - S3441-031
	56513282	+ Owner Manual - S3441-070
	58184016	+ Carton - S3423
	58184020	+ Carton - S3475
	58173377	+ Carton - S3441-031
	58173397	+ Carton - S3441-070
	58366069	+ Bottom Support
	58366061	+ Mid Pad
	58366069	+ Mid Pad - S3441-031, S3441-070
	58461023	+ Top Support

Motor 43578051 (3.1)
43578069 (4.0)



Ref. No.	Part No.	Description
1	21429406	* Screw
2	168038AG	Brush Carrier
3	168506--	Brush Holder
4	38353004	Spring
5	167679	Carbon Brush
6	169702BZ	+ Bushing
7	36112003	* Bolt 3.1
	21563061	Bolt 4.0
8	42192016	Motor Housing
9	21345116	+ Spring Washer
10	21312778	+* Thrust Washer
11	24198002	Star Ring
12	45311048	Field Coil 3.1
	45311022	+ Field Coil 4.0
13	44765185	Armature 3.1
	44765225	Armature 4.0
14	31195003	Motor Mount Insulator 3.1
	31195004	Motor Mount Insulator 4.0
15	43551013	Diffuser
16	31148009	Spacer
17	21312701	* Washer
18	43566017	Fan
19	42192033	Interstage
20	31743003	Spacer
21	33426001	Nut
22	37196087	Fan Cover

Motor:

	43578051	43578069
	S3259	S3269-036
	S3269	S3269-070
	S3269-060	S3271-036
	S3271	S3271-070
	S3271-060	S3483
	S3295-031	S3485
	S3299-031	S3485-070
	S3405	S3487
	S3419	S3499
	S3423	S3501
	S3441-031	S3503
	S3441-070	S3505
	S3473	S3621
	S3475	S3629
	S3481	S3631
	S3627	

Ref. No.	Part No.	Description
1	43433085	Hose - AAP - Celebrity
2	43433032	+ Hose - JM - Spirit - 5-1/2'
3	43433067	+ Hose - AAP - Spirit - 5-1/2'
	43433081	+ Hose - MV -S/C- Spirit - 5-1/2'
	43433084	Hose - AAP - S/C - Spirit - 7'
	43433111	Hose - 2W - AG -S/C - Spirit
4	46321076	Cord Repair Kit
5	34777005	Suction Reg. Control - AG
	34777007	Suction Reg. Control - MV
6	36153009	Latch Ring - AG
7	43468055	Hose Tube - BL - 14
8	43453086	+ Extension Tube - BL - 22
	43453035	+ Extension Tube - AX - 22
	43453052	Extension Tube - 20 - AX (Gray Clip)
	43453058	+ Extension Tube - BL - 20 (Gray Clip)
9	3863801P	Extension Tube -Poly - AG
10	43453027	Extension Tube
11	43414073	Floor Brush - AG
12	38614023	+ Furniture Nozzle - 1 Pc. - 17
	43414057	Furniture Nozzle - AG
	38614024	Furniture Nozzle - AG
13	43414064	Dusting Brush - AG
14	38617017	Crevice Tool - AG
15	43414015	+ Furniture Brush - JM
	43414016	Furniture Brush - AG
16	38644040	Swivel Connector - JM
	38644020	Swivel Connector - AG
17	33712007	Split Ring
18	48447001	+ Brush Back
19	12845JM	Gasket
20	12783	+* Rivet
21	36171008	Cord Clip - MV
	36171005	Cord Clip - AG
22	13275	+* Screw
23	13142AG	Suction Control
24	13257BZ	Support

