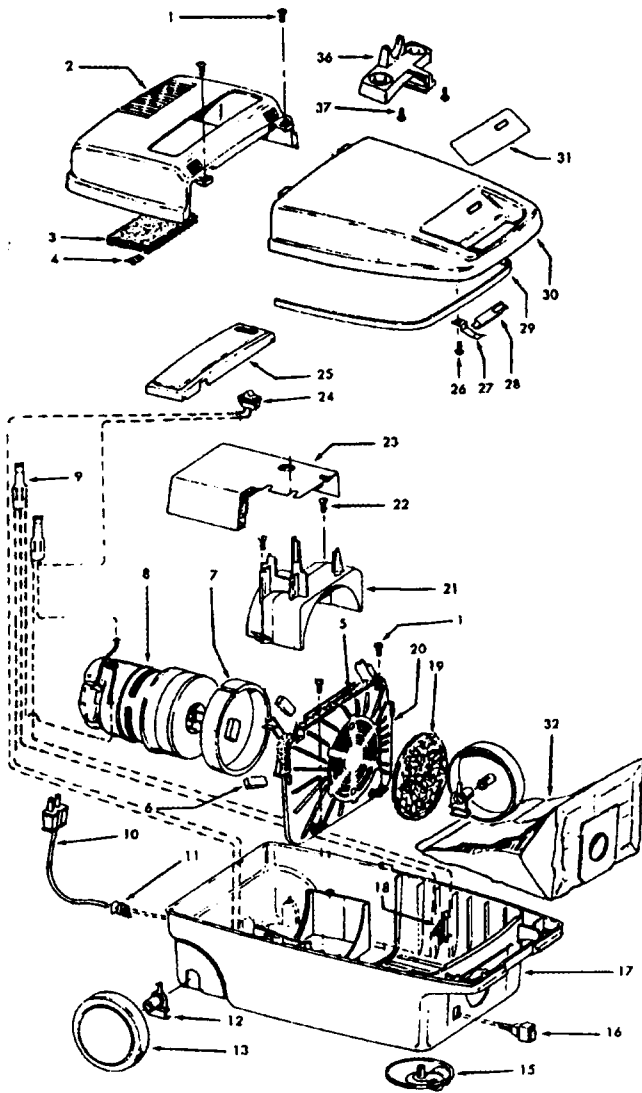


| Ref. No. | Part No. | Description                      |
|----------|----------|----------------------------------|
| 1        | 46321088 | Cord - AG - Standard Plug        |
| 2        | 42252174 | + Nozzle Body                    |
| 3        | 48416009 | Agitator - 4B                    |
| 4        | 163768   | Strain Relief                    |
| 5        | 34663003 | Bracket - RH                     |
| 6        | 43482024 | Nozzle Connector - LZ            |
| 7        | 12227    | * Insulated Terminal (2 Wire)    |
|          | 48969    | * Wire Nut (2 Wire)              |
| 8        | 34112005 | * Seal                           |
| 9        | 34337003 | * Seal                           |
| 10       | 21447041 | * Screw                          |
| 11       | 32175025 | Wheel - AG                       |
| 12       | 31523005 | Wheel Shaft                      |
| 13       | 42246120 | Bottom Plate (Incl. Items 11,12) |
| 14       | 21447007 | * Screw                          |
| 15       | 34337004 | * Lower Seal                     |
| 16       | 42256090 | + Duct Cover                     |
| 17       | 34123015 | * Seal                           |
| 18       | 35276001 | * Detent Spring                  |
| 19       | 43177073 | Motor                            |
| 20       | 35271001 | Bracket - LH                     |
| 21       | 38528011 | Belt                             |

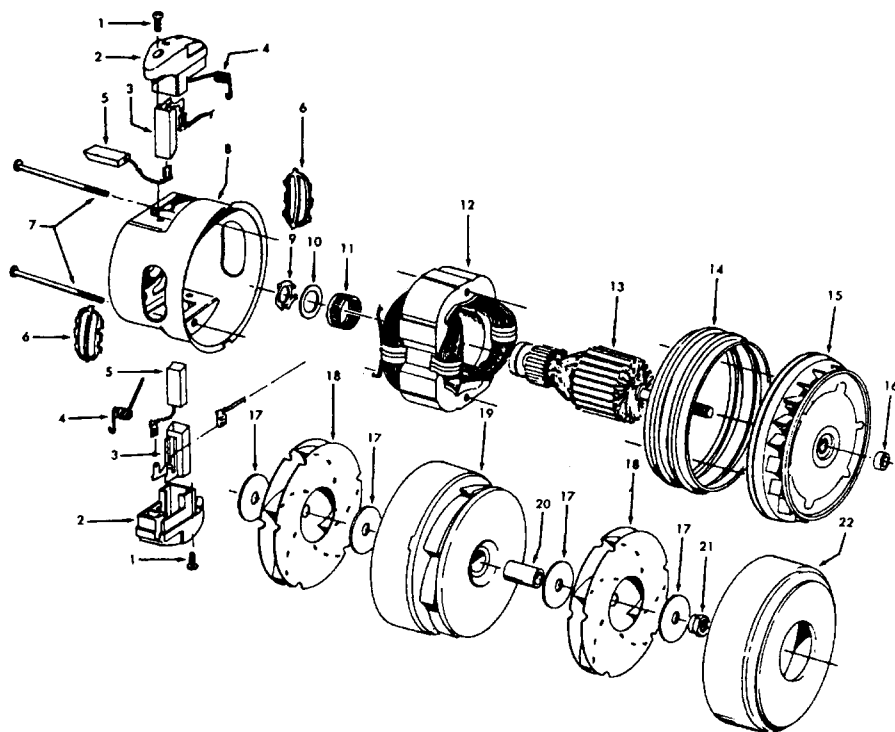
**Agitator - 4B 48416009**

|   |          |                |
|---|----------|----------------|
| 1 | 41435018 | Thread Guard   |
| 2 | 43267002 | Bearing        |
| 3 | 21347003 | * Washer       |
| 4 | 36422001 | End            |
| 5 | 48445017 | Agitator Brush |
| 6 | 160070   | Shaft          |
| 8 | 38537002 | End Pulley     |
| 9 | 41435021 | Thread Guard   |



| Ref. No.                | Part No. | Description                |
|-------------------------|----------|----------------------------|
| 1                       | 21447041 | * Screw                    |
| 2                       | 37195063 | Motor Cover - MR           |
| 3                       | 34163003 | Diffuser                   |
| 4                       | 21366004 | * Speed Nut                |
| 5                       | 34133007 | Seal                       |
| 6                       | 34132015 | + Pad                      |
| 7                       | 34143003 | Seal                       |
| 8                       | 43578051 | Motor - 3.1 - (P-1 56)     |
| 9                       | 48969    | * Wire Nut                 |
| 10                      | 46363039 | Attach. Cord - AAP - 16    |
| 11                      | 27482301 | Strain Relief              |
| 12                      | 38511015 | Wheel Bearing - AG         |
| 13                      | 38522058 | Wheel - AAP                |
| 15                      | 41432040 | Wheel Carrier              |
| 16                      | 46326079 | Receptacle Assem. - AG     |
| 17                      | 37231063 | Main Body - MX             |
| 18                      | 36151015 | Latch                      |
| 19                      | 31114010 | Filter                     |
| 20                      | 36426014 | Bulkhead                   |
| 21                      | 36321012 | Motor Retainer             |
| 22                      | 21447072 | * Screw                    |
| 23                      | 34287021 | Foam Muffler               |
| 24                      | 28164276 | Switch                     |
| 25                      | 37214052 | Control Panel - AAP        |
| 26                      | 21447027 | +* Screw                   |
| 27                      | 36172046 | Spring Clip                |
| 28                      | 51151010 | Bag Indicator              |
| 29                      | 38781010 | Lid Seal                   |
| 30                      | 42212076 | Bag Housing Lid - NAA      |
| 31                      | 51375110 | + Nameplate                |
| 32                      | 4010028K | Paper Bag - 3 Pk.          |
| 34                      | 47534018 | Thermal Protector          |
| 36                      | 36433064 | Tool Rack - NAA            |
| 37                      | 21447003 | * Screw                    |
|                         | 56513250 | + Owner Manual             |
|                         | 58173286 | + Carton                   |
|                         | 58366069 | + Mid Pad                  |
|                         | 58461023 | + Top Support              |
| CLEANING TOOLS - (P-92) |          |                            |
|                         | 38614024 | Furniture Nozzle - AG      |
|                         | 38617017 | Crevice Tool - AG          |
|                         | 43414064 | Dusting Brush - AG         |
|                         | 43433111 | Hose - 2W - AG             |
|                         | 43453052 | Extension Tube - 20 - AX   |
|                         | 48438190 | Power Nozzle - LZ- (P-173) |

**Motor 43578051 (3.1)**  
**43578069 (4.0)**



| Ref. No. | Part No. | Description               |
|----------|----------|---------------------------|
| 1        | 21429406 | * Screw                   |
| 2        | 168038AG | Brush Carrier             |
| 3        | 168506-- | Brush Holder              |
| 4        | 38353004 | Spring                    |
| 5        | 167679   | Carbon Brush              |
| 6        | 169702BZ | + Bushing                 |
| 7        | 36112003 | * Bolt 3.1                |
|          | 21563061 | Bolt 4.0                  |
| 8        | 42192016 | Motor Housing             |
| 9        | 21345116 | + Spring Washer           |
| 10       | 21312778 | +* Thrust Washer          |
| 11       | 24198002 | Star Ring                 |
| 12       | 45311048 | Field Coil 3.1            |
|          | 45311022 | + Field Coil 4.0          |
| 13       | 44765185 | Armature 3.1              |
|          | 44765225 | Armature 4.0              |
| 14       | 31195003 | Motor Mount Insulator 3.1 |
|          | 31195004 | Motor Mount Insulator 4.0 |
| 15       | 43551013 | Diffuser                  |
| 16       | 31148009 | Spacer                    |
| 17       | 21312701 | * Washer                  |
| 18       | 43566017 | Fan                       |
| 19       | 42192033 | Interstage                |
| 20       | 31743003 | Spacer                    |
| 21       | 33426001 | Nut                       |
| 22       | 37196087 | Fan Cover                 |

**Motor:**

|  | 43578051  | 43578069  |
|--|-----------|-----------|
|  | S3259     | S3269-036 |
|  | S3269     | S3269-070 |
|  | S3269-060 | S3271-036 |
|  | S3271     | S3271-070 |
|  | S3271-060 | S3483     |
|  | S3295-031 | S3485     |
|  | S3299-031 | S3485-070 |
|  | S3405     | S3487     |
|  | S3419     | S3499     |
|  | S3423     | S3501     |
|  | S3441-031 | S3503     |
|  | S3441-070 | S3505     |
|  | S3473     | S3621     |
|  | S3475     | S3629     |
|  | S3481     | S3631     |
|  | S3627     |           |

| Ref. No. | Part No. | Description                            |
|----------|----------|--|
| 1        | 43433085 | Hose - AAP - Celebrity                 |
| 2        | 43433032 | + Hose - JM - Spirit - 5-1/2'          |
| 3        | 43433067 | + Hose - AAP - Spirit - 5-1/2'         |
|          | 43433081 | + Hose - MV -S/C- Spirit - 5-1/2'      |
|          | 43433084 | Hose - AAP - S/C - Spirit - 7'         |
|          | 43433111 | Hose - 2W - AG -S/C - Spirit           |
| 4        | 46321076 | Cord Repair Kit                        |
| 5        | 34777005 | Suction Reg. Control - AG              |
|          | 34777007 | Suction Reg. Control - MV              |
| 6        | 36153009 | Latch Ring - AG                        |
| 7        | 43468055 | Hose Tube - BL - 14                    |
| 8        | 43453086 | + Extension Tube - BL - 22             |
|          | 43453035 | + Extension Tube - AX - 22             |
|          | 43453052 | Extension Tube - 20 - AX (Gray Clip)   |
|          | 43453058 | + Extension Tube - BL - 20 (Gray Clip) |
| 9        | 3863801P | Extension Tube -Poly - AG              |
| 10       | 43453027 | Extension Tube                         |
| 11       | 43414073 | Floor Brush - AG                       |
| 12       | 38614023 | + Furniture Nozzle - 1 Pc. - 17        |
|          | 43414057 | Furniture Nozzle - AG                  |
|          | 38614024 | Furniture Nozzle - AG                  |
| 13       | 43414064 | Dusting Brush - AG                     |
| 14       | 38617017 | Crevice Tool - AG                      |
| 15       | 43414015 | + Furniture Brush - JM                 |
|          | 43414016 | Furniture Brush - AG                   |
| 16       | 38644040 | Swivel Connector - JM                  |
|          | 38644020 | Swivel Connector - AG                  |
| 17       | 33712007 | Split Ring                             |
| 18       | 48447001 | + Brush Back                           |
| 19       | 12845JM  | Gasket                                 |
| 20       | 12783    | +* Rivet                               |
| 21       | 36171008 | Cord Clip - MV                         |
|          | 36171005 | Cord Clip - AG                         |
| 22       | 13275    | +* Screw                               |
| 23       | 13142AG  | Suction Control                        |
| 24       | 13257BZ  | Support                                |

