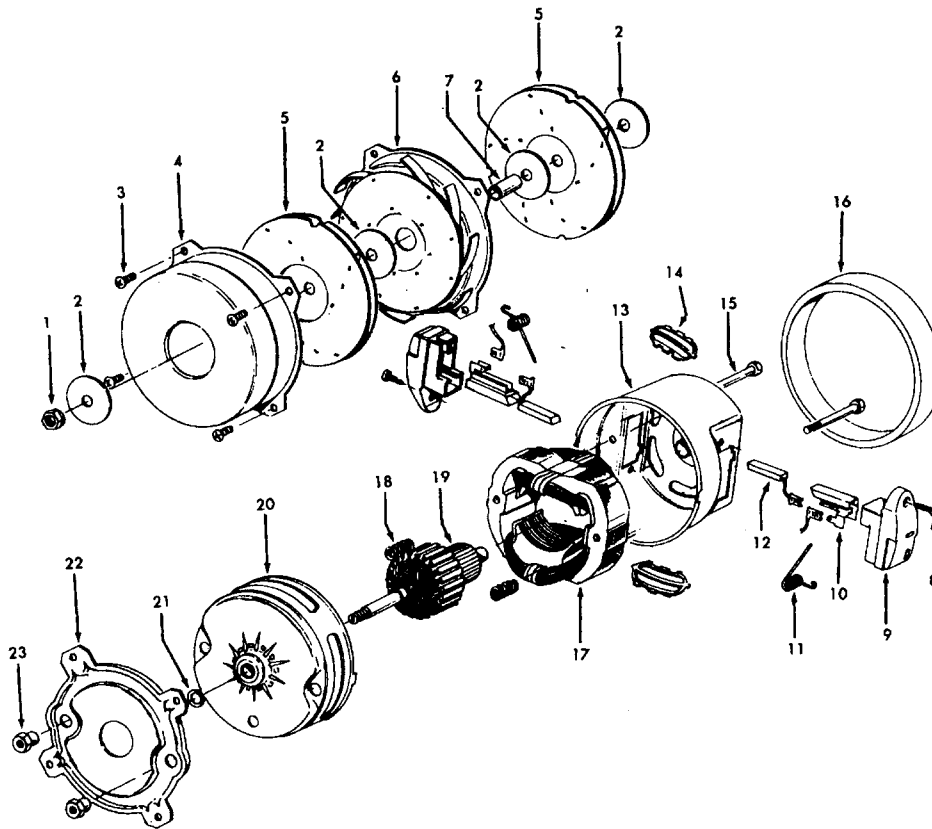
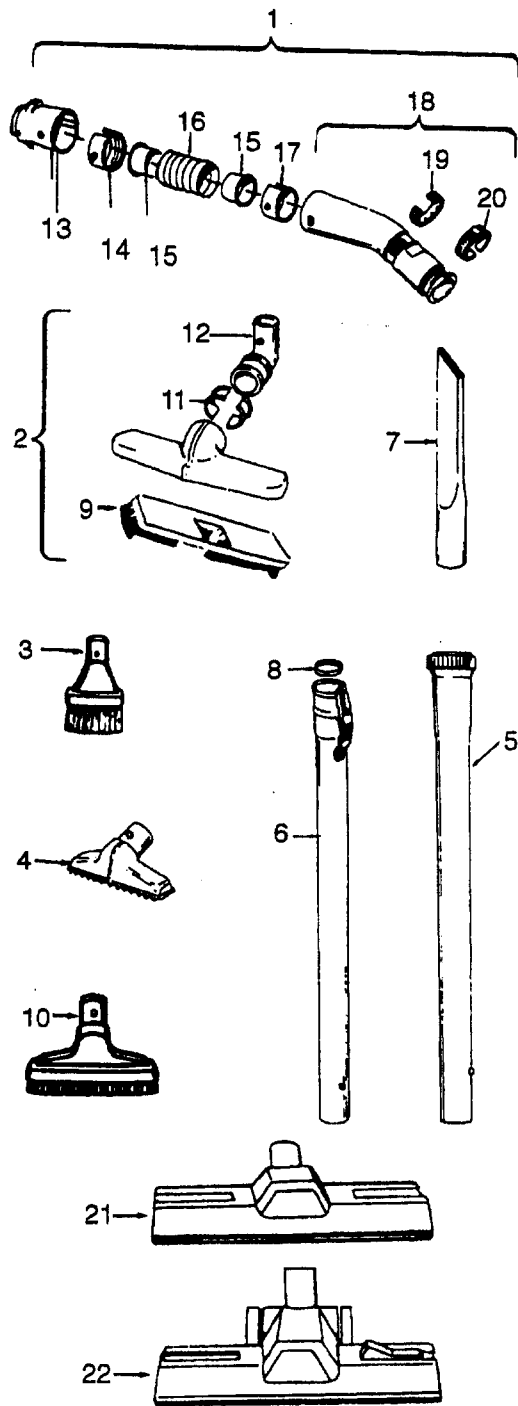


Ref. No.	Part No.	Description
1	21447041	* Screw
2	37195047	Motor Cover - JM - S3241, S3291
	37195041	Motor Cover - MX - S3247
	37195047	Motor Cover - S3479
3	34163003	Diffuser
4	21366004	* Speed Nut
5	34133007	Seal
6	34132006	+ Pad
7	34143002	Seal
8	43577109	Motor - 1.7 - (P-1 1 1)
	43577013	+ Motor - 2.2 - S3479 - (P-1 63)
9	12227	* Insulated Terminal (2 Wire)
	48969	* Wire Nut (2 Wire)
10	46363039	Attach. Cord - AAP - 16
11	27482301	Strain Relief
12	38511015	Wheel Bearing - AG
13	38522041	Wheel - LE - S3241
	38522061	Wheel - AG - S3247, S3291
	38522058	Wheel - AAP - S3479
14	38521036	Wheel - AG
15	41432040	Wheel Carrier - (Incl. Wheel)
17	37231027	Main Body - MH - S3241, S3291
	37231043	Main Body - AAG - S3247
	37231070	Main Body - AAP - S3479
18	36151015	Latch
19	31114009	Filter
20	36426012	Filter Support
21	36321011	Motor Retainer
22	21447072	* Screw
23	28162007	Switch
24	37214051	+ Control Panel - LE
	37214031	Control Panel - LY - S3247
	37214066	Control Panel - MY - S3241, S3291
	37214052	Control Panel - M - S3479
25	38781010	Seal
26	4010028K	Paper Bag - 3 Pk.
27	42212007	Lid - MH - S3241, S3291
	42212009	+ Lid - LB - S3247
	42212090	Lid - AAP - S3479
	56513208	Owner Manual
	56513218	+ Owner Manual - S3291
	56513271	+ Owner Manual - S3479
	58173227	+ Carton - S3241
	58173232	+ Carton - S3247
	58173374	+ Carton - S3291, S3479
	58353007	+ Bottom Support
	58364013	+ Front Support
	58461021	+ Rear Support
	58351015	+ Mid Pad - S3291, S3479
<b>CLEANING TOOLS - (P-93)</b>		
	43414015	+ Furniture Brush
	43414016	Furniture Brush - AG
	38617017	Crevice Tool - AG
	43434065	+ Hose - JM
	43434131	+ Hose - AAP - 7 Ft.
	3863801P	Extension Tube - Poly - AG
	0M114169	Rug & Floor Nozzle - AAP - (P-93/94/188)
	43434013	CL. Tool Hose Assem. - S3247
	43434233	Hose - AAV - 6- Molded - Spirit

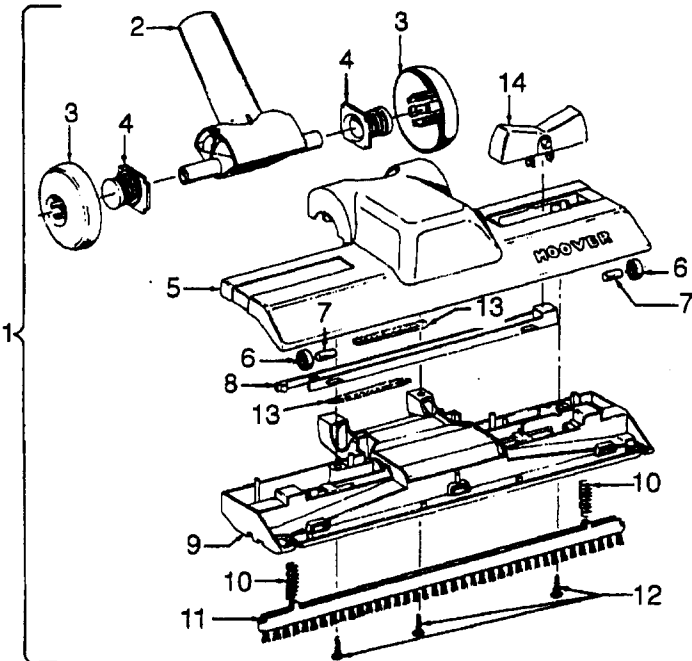
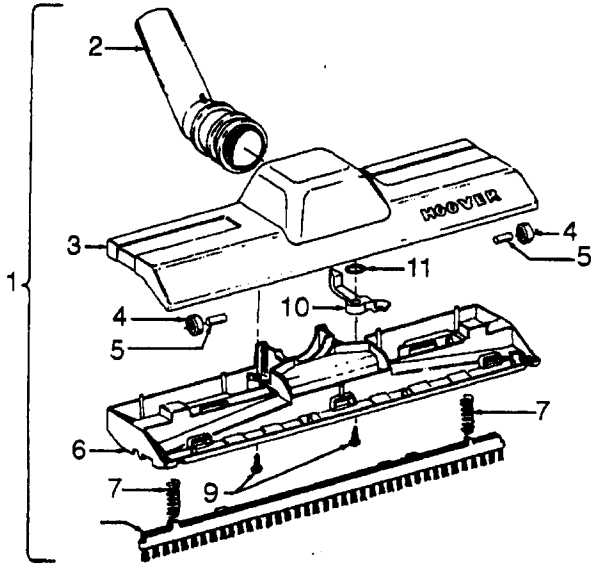


Ref. No.	Part No.	Description
1	33426001	Nut
2	21312701	* Washer
3	21434224	+* Screw
4	37191016	Outerstage Housing
5	43566017	Fan
6	43551005	Interstage
7	31742010	Spacer
8	21429406	* Screw
9	167696AG	Brush Carrier
10	N/A	Brush Holder - Use Brush Carrier Assem. 47318008 (Incl. It. 9-12)
11	38353004	Spring
12	167681	Carbon Brush
13	42937003	Motor Housing - Upper
14	169702BZ	+* Bushing
15	33421004	+ Bolt
16	31195002	Air Baffle
17	45311051	Field Coil
18	167721FW	Compression Spring
19	44765171	Armature
20	37191085	Motor Housing - Lower
21	31148002	Spacer
22	36322002	Mounting Plate
23	167695EF	Nut



Ref. No.	Part No.	Description
1	43434191	Hose - JM - S/C - 6'Wire - Celebrity
	43434155	+ Hose - JM - S/C - 6'Wire - Spirit
	43434013	Hose Assem. - Stretch (not pictured)
	43434065	+ Hose - JM - 6'Wire - Spirit
	43434130	+ Hose - JM - 7.5'Molded - Spirit
	43434131	+ Hose - AAP - 7.5'- Molded - Spirit
	43434125	+ Hose - AAP - S/C - 7'- Molded - Spirit
	43434126	+ Hose - AAV - S/C - 6'- Molded - Spirit
	43434231	Hose - AAP - 6'- Molded - Spirit
	43434233	Hose - AG/ABX 6'Molded - Sprint
2	43414072	+ Floor Brush - JM
	43414073	Floor Brush - AG
3	43414064	Dusting Brush - AG
4	43414057	Furniture Nozzle - AAP
	38614020	+ Furniture Nozzle - JM - 1 Pc.
5	38614024	Furniture Nozzle - AG - 1 Pc.
	43453037	+ Extension Tube - Poly - 20 - JM
6	3863801P	Extension Tube - Poly - AG
	43453052	Extension Tube - 20 - AX
7	38617017	Crevice Tool - AG
8	12845JM	Gasket
9	48447001	+ Brush Back
10	43414015	+ Furniture Brush - JM
	43414016	Furniture Brush - AG
11	33712007	Split Ring
12	38644020	Swivel Connector - AG
	38644040	Swivel Connector - AAP
13	32855003	Hose Connector - Celeb.
	38638017	Hose Connector - AAP - Molded Hose
	38638019	Hose Connection - AAP
	38638039	Hose Connector - AG - Molded Hose
14	12615BZ	Collar (All Wire Hoses)
	38671011	Collar (Molded Hoses)
15	32156010	Sleeve (All Hoses)
	38671029	Hose - 6'- AAV - Molded
16	38671033	+ Hose - 6'- ABX - Molded
	36116006	Collar (All Wire Hoses)
17	36171025	Collar (Molded Hose)
	43466044	Hose Grip -AAP -S/C
18	43466066	Hose Grip - AG
	38711006	Suction Control Ring - JM
19	38711007	+ Suction Control Ring - MV
	36153009	Latch Ring - AG
20	43414139	+ Rug & Floor Nozzle - AAP - (P - 188)
	0M114169	Rug & Floor Nozzle - ABE - (P - 188)
21	43414101	+ Rug & Floor Nozzle - DLX - (P - 188)
22		

# Rug & Floor Nozzle



Ref. No.	Part No.	Description
1	43414121	+ Standard Rug & Floor Nozzle Assem. - AAP
	43414139	+ Standard Rug & Floor Nozzle Assem. - AAP
	43414140	Standard Rug & Floor Nozzle Assem. - ABE (S3393-020, S3521)
	0M114169	Standard Rug & Floor Nozzle - ABX - S1221, S1315, S1337, S3393-040
	43414170	+ Standard Rug & Floor Nozzle AG - S1339, S3547
	43414172	Standard Rug & Floor Nozzle - AG
2	38646039	Nozzle Tube - AG
3	38615153	+ Rug & Floor Nozzle - AAP
	38615182	Rug & Floor Nozzle - ABE S3393-020, S3521, S1339, S3547, S1221, S1315, S1337
4	38521018	Roller (2) (Nozzle 43414172 req's 4)
5	31511004	Roller Axle - AY (2) (Nozzle 43414172 req's 4)
6	36414018	Brush Housing S1221, S1315, S1337
7	166649FW	Spring (2)
8	48443003	Brush Back Assem. - AG
9	21447203	Screw - Self Tapping (2)
10	38454004	Brush Back Lever - MV
	38454006	+ Brush Back Lever - ABN S3393-020, S3521, S1221 S1339, S3547
11	21329105	+ Felt Washer

Ref. No.	Part No.	Description
1	43414101	+ Deluxe Rug & Floor Nozzle Assem. - AAP
2	38646045	Nozzle Connector - AAP
3	43244043	Wheel & Bearing Assem. (2)
4	38511016	Wheel Bearing - AAT (2)
5	38615180	Rug & Floor Nozzle - AAP
6	38521018	Roller (2)
7	31511004	Roller Axle - AY (2)
8	38451008	Slider - AG
9	36414013	+ Brush Housing - MV
10	166649FW	Spring (2)
11	48443004	Brush Back Assem. - AG
12	21447203	Screw - Self Tapping (3)
13	34122013	+ Seal (2)
14	38434015	Pedal - MV