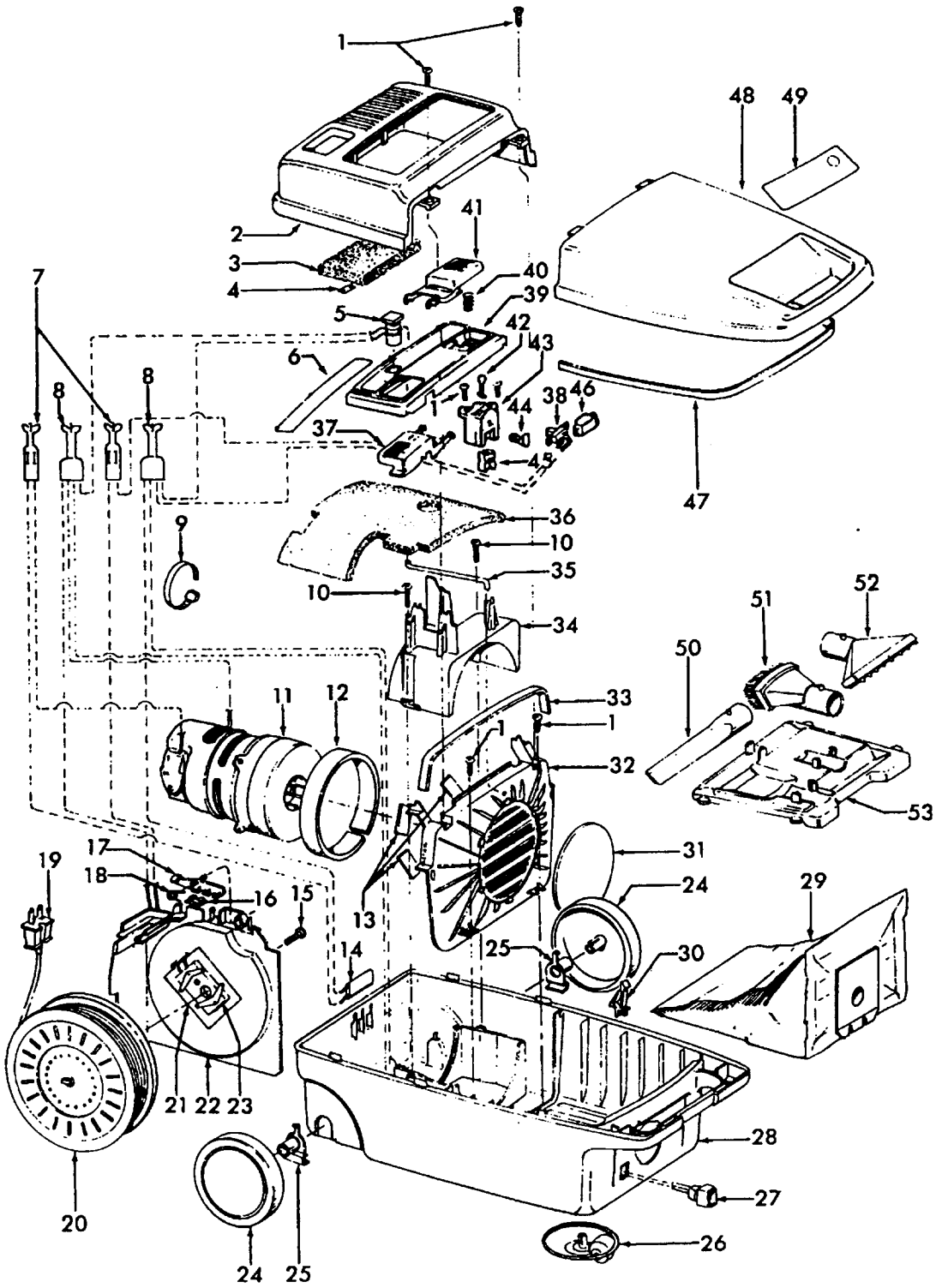


Ref. No.	Part No.	Description
1	46321088	Cord - AG - Standard Plug
2	42252174	+ Nozzle Body
3	48416009	Agitator - 4B
4	163768	Strain Relief
5	34663003	Bracket - RH
6	43482024	Nozzle Connector - LZ
7	12227	* Insulated Terminal (2 Wire)
	48969	* Wire Nut (2 Wire)
8	34112005	* Seal
9	34337003	* Seal
10	21447041	* Screw
11	32175025	Wheel - AG
12	31523005	Wheel Shaft
13	42246120	Bottom Plate (Incl. Items 11,12)
14	21447007	* Screw
15	34337004	* Lower Seal
16	42256090	+ Duct Cover
17	34123015	* Seal
18	35276001	* Detent Spring
19	43177073	Motor
20	35271001	Bracket - LH
21	38528011	Belt

Agitator - 4B 48416009

1	41435018	Thread Guard
2	43267002	Bearing
3	21347003	* Washer
4	36422001	End
5	48445017	Agitator Brush
6	160070	Shaft
8	38537002	End Pulley
9	41435021	Thread Guard



Ref. No.	Part No.	Description
1	21447041	* Screw (6)
2	37195087	Motor Cover - AAY - S3505
	37195074	Motor Cover - AG - S3629
3	34163003	Diffuser
4	21366004	* Speed Nut
5	27343212	Bag Indicator
6	51331007	Nameplate
7	12227	Insulated Terminal
8	18972	Insulated Terminal (2)
9		N/A
10	21447072	* Screw (2)
11	43578069	Motor - 4.0 - (P-1 56)
12	34143003	Seal
13	34132015	+ Pad (4)
14	47534018	Thermal Protector
15	21447072	* Screw
16	36222008	Brake Pad
17	38458008	Brake Arm
18	38353009	+ Spring
19	46383311	Attachment Cord - AG - 20'
20	46831106	Cord Reel Assm.
21	34165004	Insulator
22	37215170	+ Cord Reel Support
23	47348076	Brush Block
24	38522061	Wheel - AG
25	38511015	Wheel Bearing (2)
26	41432040	Wheel Carrier
27	46326058	+ Receptacle - AAP
	46326079	Receptacle Assem. - AG
28	37231072	Main Body - AAP - S3505
		(incl. Item 14)
	37223212	+ Main Body - MV - S3629
		(Incl. Item 14)
29	4010028K	Disposable Bag (3 Pk.)
30	36151015	Latch
31	31114010	Filter
32	36426014	Bulkhead
33	34133007	Seal
34	36321012	Motor Retainer
35	31727025	Vent Tube

Ref. No.	Part No.	Description
36	34287021	Muffler
37	38422117	Cord Reel Pedal - WW - S3505
	38422124	Cord Reel Pedal
38	28177019	Switch
39	37214143	Control Panel - AAP - S3505
	37214157	+ Control Panel - AG - S3629
40	38319002	+ Spring
41	38422149	Switch Pedal - AG
42	38458002	* Depressor
43	42262075	Actuator Housing
44	38561003	Axle
45	34361001	Switch Actuator
46	37258082	Terminal Shield
47	38781010	Lid Seal
48	42212107	Bag Housing Lid - AAY - S3505
	42212116	Bag Housing Lid - WW - S3629
49	52125116	+ Nameplate - S3505
	51375093	+ Nameplate - S3629
50	38617017	Crevice Tool - AG
51	43414064	Dusting Brush - AG
52	43414057	Furniture Nozzle - AG
53	36433071	Tool Storage Tray - S3505
	36433124	Tool Rack - S3629
	21447003	* Screw - Self Tapping

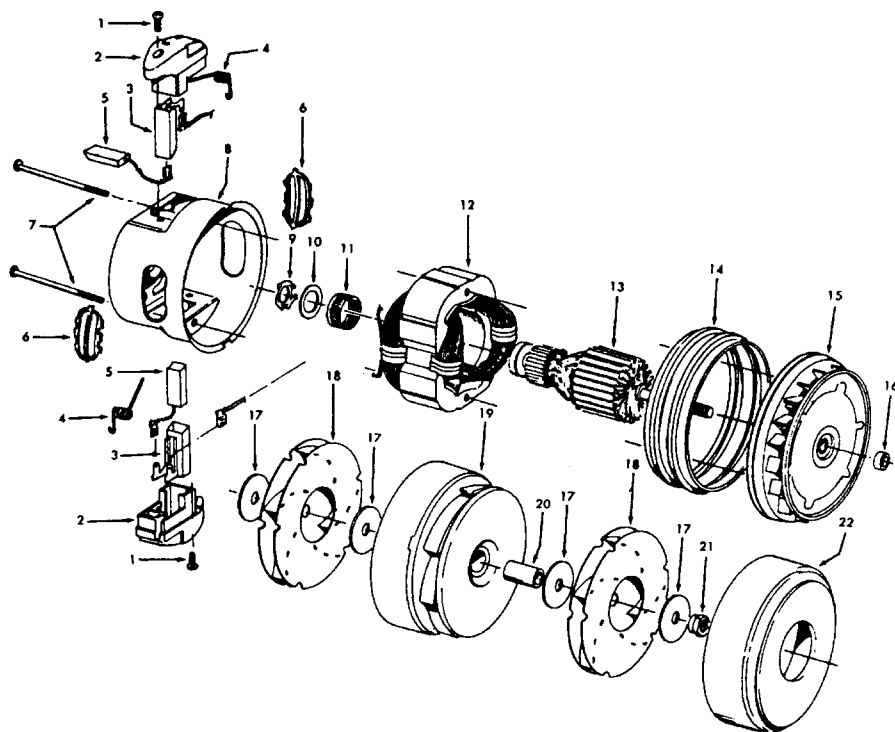
ITEMS NOT ILLUSTRATED

51151010	Bag Indicator - S3629
36172046	Spring Clip - S3629
21447041	* Screw - Self Tapping - S3629
56513282	+ Owner Manual - S3505
56513309	+ Owner Manual - S3629
58173383	+ Carton - S3505
58183003	+ Carton - S3629
58366069	+ Mid Pad
58461023	+ Top Support

Accessories

48438190	Powered Nozzle -LZ -S3505 (P-173)
48438246	Powered Nozzle -AAP -S3629 (P-253)
43433084	Hose - 2W - S/C - AAP - S3505 , S3629 (P- 92)
43453052	Ext. Tube - 20 - AX

Motor 43578051 (3.1)
43578069 (4.0)



Ref. No.	Part No.	Description
1	21429406	* Screw
2	168038AG	Brush Carrier
3	168506--	Brush Holder
4	38353004	Spring
5	167679	Carbon Brush
6	169702BZ	+ Bushing
7	36112003	* Bolt 3.1
	21563061	Bolt 4.0
8	42192016	Motor Housing
9	21345116	+ Spring Washer
10	21312778	+* Thrust Washer
11	24198002	Star Ring
12	45311048	Field Coil 3.1
	45311022	+ Field Coil 4.0
13	44765185	Armature 3.1
	44765225	Armature 4.0
14	31195003	Motor Mount Insulator 3.1
	31195004	Motor Mount Insulator 4.0
15	43551013	Diffuser
16	31148009	Spacer
17	21312701	* Washer
18	43566017	Fan
19	42192033	Interstage
20	31743003	Spacer
21	33426001	Nut
22	37196087	Fan Cover

Motor:

	43578051	43578069
	S3259	S3269-036
	S3269	S3269-070
	S3269-060	S3271-036
	S3271	S3271-070
	S3271-060	S3483
	S3295-031	S3485
	S3299-031	S3485-070
	S3405	S3487
	S3419	S3499
	S3423	S3501
	S3441-031	S3503
	S3441-070	S3505
	S3473	S3621
	S3475	S3629
	S3481	S3631
	S3627	

Ref. No.	Part No.	Description
1	43433085	Hose - AAP - Celebrity
2	43433032	+ Hose - JM - Spirit - 5-1/2'
3	43433067	+ Hose - AAP - Spirit - 5-1/2'
	43433081	+ Hose - MV -S/C- Spirit - 5-1/2'
	43433084	Hose - AAP - S/C - Spirit - 7'
	43433111	Hose - 2W - AG -S/C - Spirit
4	46321076	Cord Repair Kit
5	34777005	Suction Reg. Control - AG
	34777007	Suction Reg. Control - MV
6	36153009	Latch Ring - AG
7	43468055	Hose Tube - BL - 14
8	43453086	+ Extension Tube - BL - 22
	43453035	+ Extension Tube - AX - 22
	43453052	Extension Tube - 20 - AX (Gray Clip)
	43453058	+ Extension Tube - BL - 20 (Gray Clip)
9	3863801P	Extension Tube -Poly - AG
10	43453027	Extension Tube
11	43414073	Floor Brush - AG
12	38614023	+ Furniture Nozzle - 1 Pc. - 17
	43414057	Furniture Nozzle - AG
	38614024	Furniture Nozzle - AG
13	43414064	Dusting Brush - AG
14	38617017	Crevice Tool - AG
15	43414015	+ Furniture Brush - JM
	43414016	Furniture Brush - AG
16	38644040	Swivel Connector - JM
	38644020	Swivel Connector - AG
17	33712007	Split Ring
18	48447001	+ Brush Back
19	12845JM	Gasket
20	12783	+* Rivet
21	36171008	Cord Clip - MV
	36171005	Cord Clip - AG
22	13275	+* Screw
23	13142AG	Suction Control
24	13257BZ	Support

