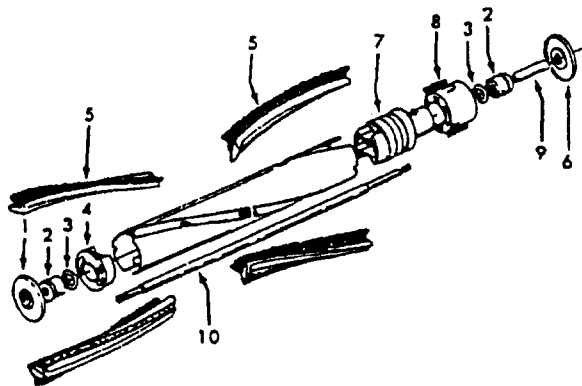
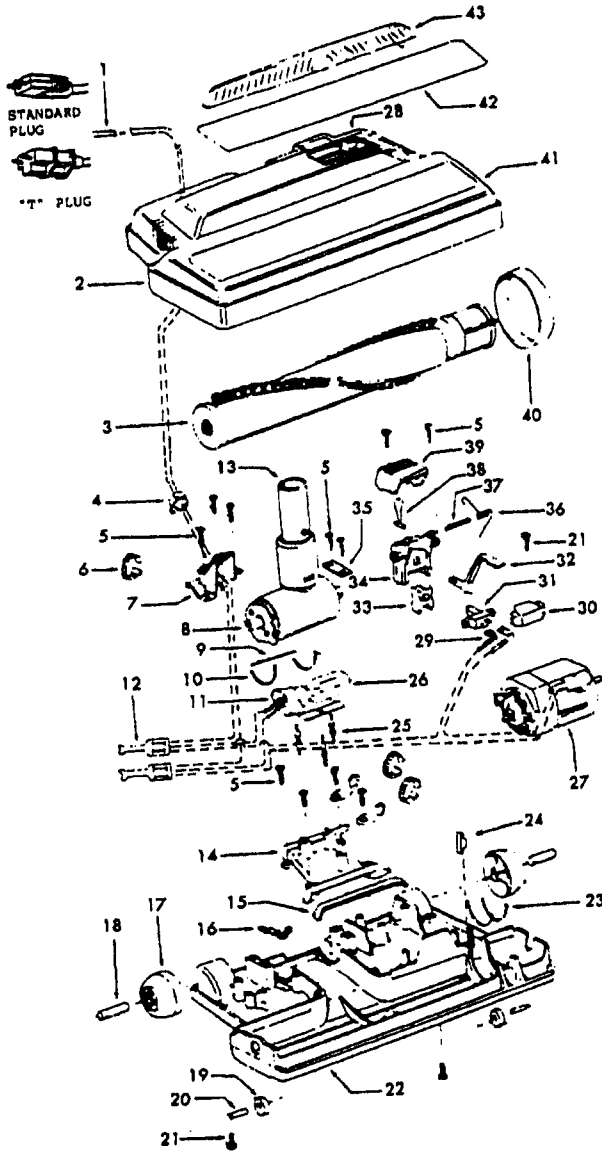


48438024 - MX - S3271-036, S3271-060, S3271-070

48438226 - AG - S3487, S3499, S3501 - T-Plug

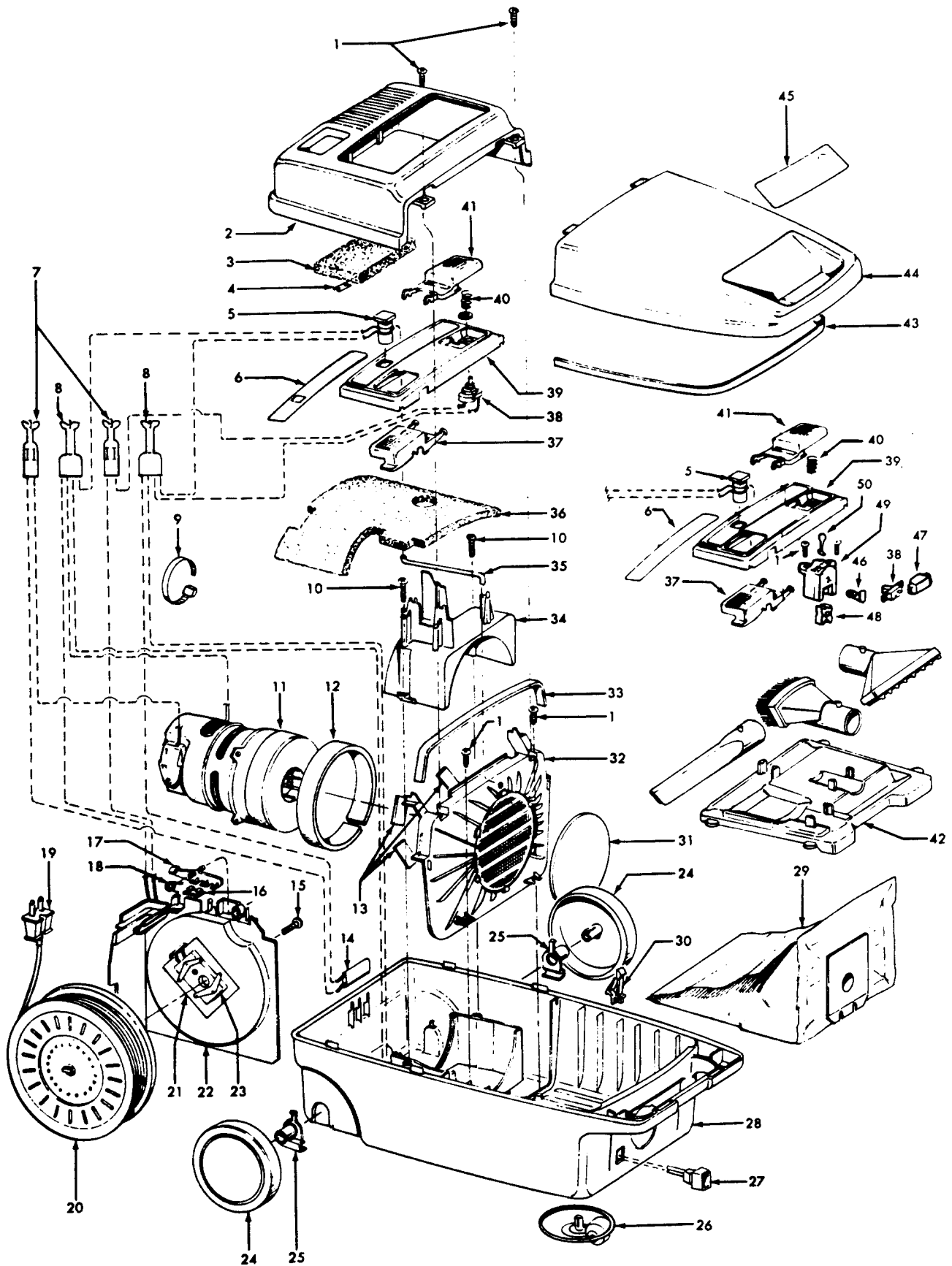
48438044 - AG - S3269-036, S3269-060, S3269-070, S3487, S3499, S3631 - Standard Plug



| Ref. No. | Part No. | Description   |
|----------|----------|---|
| 1        | 46321088 | Cord - AG - Standard Plug   |
| 2        | 46321009 | Cord - T Plug   |
|          | 36231096 | Furniture Guard - MY - S3269-036, S3269-060, S3269-070, S3271-036, S3271-060, S3487, S3499, S3501           |
|          |          | Agitator - 4B   |
| 3        | 48416030 | Agitator - 4B   |
| 4        | 163768   | Strain Relief   |
| 5        | 21447041 | * Screw   |
| 6        | 27479307 | * Wire Tie  |
| 7        | 36131065 | Retainer Housing - AAK  |
|          | 36131067 | Retainer Housing - AG - S3487, 3499, S3501  |
|          |          | Nozzle Connector - AG   |
| 8        | 43461021 | Nozzle Connector - AG   |
| 9        | 34112005 | * Seal  |
| 10       | 34337003 | * Seal  |
| 11       | 47171009 | + Lamp Socket   |
| 12       | 18972    | Insulated Terminal (3 Wire)   |
| 13       | 43457037 | Swivel Tube - AG  |
| 14       | 42256098 | Duct Cover  |
| 15       | 34123017 | Seal  |
| 16       | 35276001 | Detent Spring   |
| 17       | 32175025 | Wheel - AG  |
| 18       | 31523005 | Wheel Shaft   |
| 19       | 32761001 | Wheel   |
| 20       | 31522004 | Wheel Shaft   |
| 21       | 21447007 | * Screw   |
| 22       | 42246121 | Base Plate (Inc. items 17, 18, 19, 20, 23, 24)  |
|          |          | * Lower Seal  |
| 23       | 34337004 | * Upper Seal  |
|          | 34378010 | * Rib Shoe  |
| 24       | 13261AY  | Grommet   |
| 25       | 36218005 | Grommet   |
|          | 36218016 | Grommet - S3631   |
| 26       | 27317307 | Lamp - 15   |
| 27       | 43177073 | Motor   |
| 28       | 51865005 | Indicator Lens  |
|          | 51865018 | Indicator Lens - S3269-070, S3271-070, S3487, S3499, S3501  |
| 29       | 27666702 | Terminal  |
| 30       | 37258082 | Shield  |
| 31       | 281770KD | Switch  |
| 32       | 51151053 | Indicator - PH  |
| 33       | 34361001 | Switch Actuator   |
| 34       | 42262032 | Housing   |
| 35       | 36131017 | * Retainer  |
| 36       | 38353007 | Torsion Spring  |
| 37       | 31523006 | Pivot Pin   |
| 38       | 38458002 | * Depressor   |
| 39       | 38433067 | + Switch Pedal - MW - S3487, S3499, S3501, S3269-036, S3269-060, S3269-070, S3271-036, S3271-060, S3271-070 |
|          |          | Belt  |
|          |          | + Nozzle Body - AAK   |
|          |          | Nozzle Body - S3487, S3499, S3269-036, S3269-060, S3269-070   |
|          |          | Nozzle Body - MY - S3501  |
| 42       | 42252144 | Nameplate   |
| 43       | 52125114 | Lens  |
| 44       | 39383060 | Swivel Tube - AG  |
| 45       | 43457037 | Swivel Tube - AG  |

**Agitator 48416030**

|    |          |                |
|----|----------|----------------|
| 1  | 48495AY  | Thread Guard   |
| 2  | 43267002 | Bearing        |
| 3  | 21347003 | * Washer       |
| 4  | 36422001 | End            |
| 5  | 48445017 | Agitator Brush |
| 6  | 41435018 | Thread Guard   |
| 7  | 38537008 | End Pulley     |
| 8  | 48418001 | Brush Ring     |
| 9  | 31722019 | Spacer         |
| 10 | 32724005 | Shaft          |



# Spirit

# Models S3499, S3501, S3631

| Ref. No. | Part No. | Description  |
|----------|----------|--|
| 1        | 21447041 | * Screw  |
| 2        | 37195074 | Motor Cover - AG - S3499, S3501, S3631               |
| 3        | 34163003 | Diffuser   |
| 4        | 21366004 | * Speed Nut  |
| 5        | 27343212 | Bag Indicator  |
| 6        | 51331007 | Nameplate  |
| 7        | 12227    | Insulated Term. (2 Wire)                             |
| 8        | 18972    | Insulated Term. (3 Wire)                             |
| 9        | 27479307 | * Wire Tie   |
| 10       | 21447072 | * Screw  |
| 11       | 43578069 | Motor- 4.0 -(P-156)                                  |
| 12       | 34143003 | Seal   |
| 13       | 34132015 | + Pad  |
| 14       | 47534018 | Thermal Protector                                    |
| 15       | 21447072 | * Screw  |
| 16       | 36222008 | Brake Pad  |
| 17       | 38458008 | Brake Arm  |
| 18       | 38353009 | + Spring   |
| 19       | 46383308 | Cord - AG - 23 Ft.                                   |
| 20       | 46831106 | Cord Reel  |
| 21       | 34165004 | Insulator  |
| 22       | 37215170 | + Cord Reel Support - AG                             |
| 23       | 47348076 | Brush Block  |
| 24       | 38522061 | Wheel - AG   |
| 25       | 38511015 | Wheel Bearing  |
| 26       | 41432040 | Wheel Carrier  |
| 27       | 46326058 | + Receptacle - AAP                                   |
|          | 46326079 | Receptacle - AG                                      |
| 28       | 37223212 | + Main Body - MV - S3499, S3631 (Inc. Item 14)       |
|          | 37223230 | Main Body - ZW - S3501 (Inc. Item 14)                |
| 29       | 4010028K | Paper Bag - 3 Pk.                                    |
| 30       | 36151015 | Latch  |
| 31       | 31114010 | Filter   |
| 32       | 36426014 | Bulkhead   |
| 33       | 34133007 | Seal   |
| 34       | 36321012 | Motor Retainer                                       |
| 35       | 31727025 | Vent Tube  |
| 36       | 34287021 | Muffler  |
| 37       | 38422124 | Cord Reel Pedal - AG -S3499 (Push Switch)            |
|          | 38422122 | + Cord Reel Pedal - MV - S3499, S3631 (Slide Switch) |
|          | 38422120 | Cord Reel Pedal - S3501 (Push Switch)                |
|          | 38422123 | + Cord Reel Pedal - MV - S3501 (Slide Switch)        |
| 38       | 28212026 | Switch - Push  |
|          | 28177019 | Switch - Slide                                       |

| Ref. No. | Part No. | Description  |
|----------|----------|--|
| 39       | 37214146 | + Control Panel - MV (Push Switch)                       |
|          | 37214143 | Control Panel - AAP - S3499, S3501 (Slide Switch)        |
|          | 37214151 | + Control Panel - ZW (Push Switch)                       |
|          | 37214155 | + Control Panel - ZW (Slide Switch)                      |
|          | 37214138 | Control Panel - AAP - S3499, S3501, S3631 (Slide Switch) |
| 40       | 38314002 | Spring (Push Switch)                                     |
|          | 38319002 | + Spring (Slide Switch)                                  |
| 41       | 38422073 | Switch Pedal - AG - S3499 - S3501 (Push Switch)          |
|          | 38422149 | Switch Pedal (Slide Switch)                              |
| 42       | 36433071 | Tool Storage Tray  |
| 43       | 38781010 | Seal   |
| 44       | 42212100 | Bag Housing Lid - AG - S3499                             |
|          | 42212101 | Bag Housing Lid - MY - S3501                             |
|          | 42212102 | + Bag Housing Lid - AG - S3631                           |
| 45       | 52125116 | + Nameplate  |
|          | 51375093 | + Nameplate - S3631                                      |
| 46       | 38561003 | Axle   |
| 47       | 37258082 | Terminal Shield  |
| 48       | 34361001 | Switch Actuator  |
| 49       | 42262075 | Actuator Housing   |
| 50       | 38458002 | Depressor  |

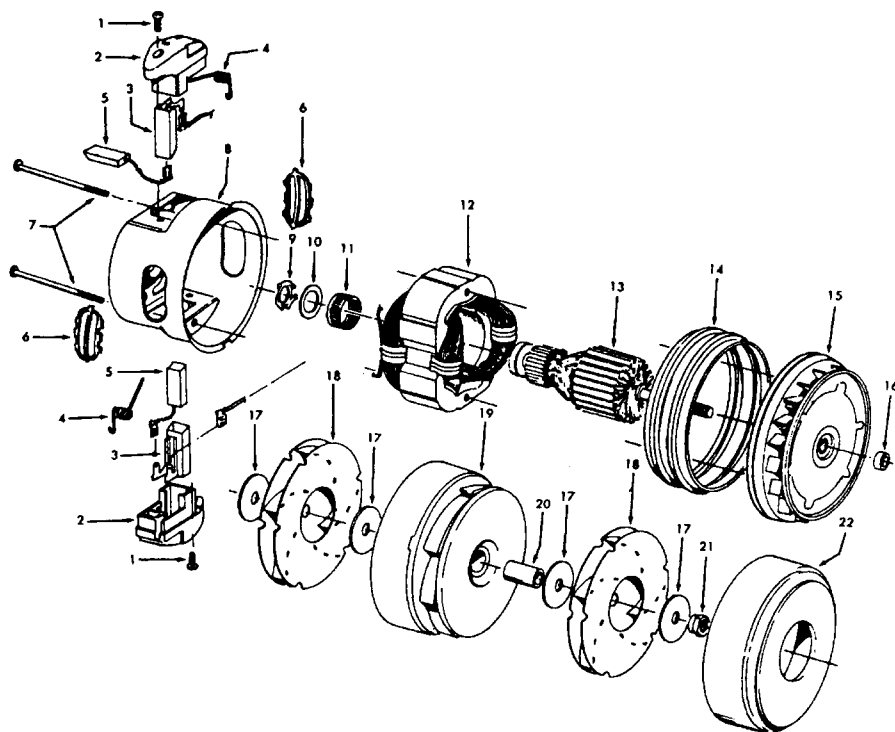
### ITEMS NOT ILLUSTRATED

|          |                                |
|----------|--------------------------------|
| 51151010 | Bag Indicator - S3631          |
| 36172046 | Spring Clip - S3631            |
| 21447041 | * Screw - Self Tapping - S3631 |
| 46831076 | Cord Reel Commutator           |
| 56513274 | Owner Manual                   |
| 58184025 | + Carton                       |
| 58184030 | + Carton - S3631               |
| 58366070 | + Mid Pad                      |
| 58461023 | + Top Support                  |

### Cleaning Tools - S3499, S3501, S3631 - (P-92)

|          |   |
|----------|---|
| 38617017 | Crevice Tool - AG                         |
| 43414057 | Furniture Nozzle - AG                     |
| 43414064 | Dusting Brush - AG                        |
| 43414073 | Floor Brush - AG                          |
| 43433084 | Hose - 2W - S/C - AAP                     |
| 43453052 | Extension Tube - 20 - AX                  |
| 48438226 | Power Nozzle - MY -S3499 ,S3501 - (P-168) |
| 48438044 | Power Nozzle - AG - S3631 ( P- 168 )      |

**Motor 43578051 (3.1)**  
**43578069 (4.0)**



| Ref. No. | Part No. | Description               |
|----------|----------|---------------------------|
| 1        | 21429406 | * Screw                   |
| 2        | 168038AG | Brush Carrier             |
| 3        | 168506-- | Brush Holder              |
| 4        | 38353004 | Spring                    |
| 5        | 167679   | Carbon Brush              |
| 6        | 169702BZ | + Bushing                 |
| 7        | 36112003 | * Bolt 3.1                |
|          | 21563061 | Bolt 4.0                  |
| 8        | 42192016 | Motor Housing             |
| 9        | 21345116 | + Spring Washer           |
| 10       | 21312778 | +* Thrust Washer          |
| 11       | 24198002 | Star Ring                 |
| 12       | 45311048 | Field Coil 3.1            |
|          | 45311022 | + Field Coil 4.0          |
| 13       | 44765185 | Armature 3.1              |
|          | 44765225 | Armature 4.0              |
| 14       | 31195003 | Motor Mount Insulator 3.1 |
|          | 31195004 | Motor Mount Insulator 4.0 |
| 15       | 43551013 | Diffuser                  |
| 16       | 31148009 | Spacer                    |
| 17       | 21312701 | * Washer                  |
| 18       | 43566017 | Fan                       |
| 19       | 42192033 | Interstage                |
| 20       | 31743003 | Spacer                    |
| 21       | 33426001 | Nut                       |
| 22       | 37196087 | Fan Cover                 |

**Motor:**

|  | 43578051  | 43578069  |
|--|-----------|-----------|
|  | S3259     | S3269-036 |
|  | S3269     | S3269-070 |
|  | S3269-060 | S3271-036 |
|  | S3271     | S3271-070 |
|  | S3271-060 | S3483     |
|  | S3295-031 | S3485     |
|  | S3299-031 | S3485-070 |
|  | S3405     | S3487     |
|  | S3419     | S3499     |
|  | S3423     | S3501     |
|  | S3441-031 | S3503     |
|  | S3441-070 | S3505     |
|  | S3473     | S3621     |
|  | S3475     | S3629     |
|  | S3481     | S3631     |
|  | S3627     |           |

| Ref. No. | Part No. | Description                            |
|----------|----------|--|
| 1        | 43433085 | Hose - AAP - Celebrity                 |
| 2        | 43433032 | + Hose - JM - Spirit - 5-1/2'          |
| 3        | 43433067 | + Hose - AAP - Spirit - 5-1/2'         |
|          | 43433081 | + Hose - MV -S/C- Spirit - 5-1/2'      |
|          | 43433084 | Hose - AAP - S/C - Spirit - 7'         |
|          | 43433111 | Hose - 2W - AG -S/C - Spirit           |
| 4        | 46321076 | Cord Repair Kit                        |
| 5        | 34777005 | Suction Reg. Control - AG              |
|          | 34777007 | Suction Reg. Control - MV              |
| 6        | 36153009 | Latch Ring - AG                        |
| 7        | 43468055 | Hose Tube - BL - 14                    |
| 8        | 43453086 | + Extension Tube - BL - 22             |
|          | 43453035 | + Extension Tube - AX - 22             |
|          | 43453052 | Extension Tube - 20 - AX (Gray Clip)   |
|          | 43453058 | + Extension Tube - BL - 20 (Gray Clip) |
| 9        | 3863801P | Extension Tube -Poly - AG              |
| 10       | 43453027 | Extension Tube                         |
| 11       | 43414073 | Floor Brush - AG                       |
| 12       | 38614023 | + Furniture Nozzle - 1 Pc. - 17        |
|          | 43414057 | Furniture Nozzle - AG                  |
|          | 38614024 | Furniture Nozzle - AG                  |
| 13       | 43414064 | Dusting Brush - AG                     |
| 14       | 38617017 | Crevice Tool - AG                      |
| 15       | 43414015 | + Furniture Brush - JM                 |
|          | 43414016 | Furniture Brush - AG                   |
| 16       | 38644040 | Swivel Connector - JM                  |
|          | 38644020 | Swivel Connector - AG                  |
| 17       | 33712007 | Split Ring                             |
| 18       | 48447001 | + Brush Back                           |
| 19       | 12845JM  | Gasket                                 |
| 20       | 12783    | +* Rivet                               |
| 21       | 36171008 | Cord Clip - MV                         |
|          | 36171005 | Cord Clip - AG                         |
| 22       | 13275    | +* Screw                               |
| 23       | 13142AG  | Suction Control                        |
| 24       | 13257BZ  | Support                                |

