

**Sprint/Hornet  
PortaPower I**

**Models S1211, S1215, S1221, S1223  
S1410**

| Ref. No. | Part No.   | Description   |
|----------|--|---|
| 1        | 42227175<br>42227176                                     | Bag Door Assem. - JM<br>Bag Door Assem. - AAP - S1215, S1223  |
|          | 42227179   | + Bag Door Assem. - AG - S1221, S1410   |
| 2        | 38426088<br>38426090                                     | Latch Button - JM<br>+ Latch Button - AG  |
| 3        | 36151025   | Latch - BZ  |
| 4        | 21447122   | +* Screw - Self Tapping (8)   |
| 5        | 4010063R   | Disposable Bag (5 Pk.)  |
| 6        | 38522073   | Wheel - AG  |
| 7        | 28161063   | Switch  |
| 8        | 27666553<br>27666513<br>27666527                         | Terminal - S1410<br>Terminal (Black Switch)<br>+ Terminal (Gray Switch)   |
| 9        | 42222173<br>42222172<br>42222177<br>42212129<br>42222179 | Housing Assem. - RH/LH - JM<br>Hsg Assem. - RH/LH - AAU - S1223<br>Hsg Assem. - RH/LH - MW - S1215<br>Hsg Assem. - RH/LH - ABZ - S1221<br>Hsg Assem. - RH/LH - AG - S1410 |
| 10       | 36216020<br>36216021                                     | Cord Protector - AAP<br>Cord Protector AG   |
| 11       | 46363043<br>46363307                                     | Attach. Cord Assem. - AAP<br>Attach Cord Assem. - AG  |
| 12       | 27479307   | * Lead Wire Tie   |
| 13       | 12227<br>27618508  | Insulated Terminal<br>Wire Connector - S1410  |
| 14       | 43177061<br>43578068                                     | + Motor Assem. Comp. (P-205)<br>Motor Assem. Comp. - S1215, S1223 - (P-205)   |
| 15       | 163434   | + Pressure Pad (3)  |
| 16       | 42222173<br>42222172<br>42222177<br>42212129<br>42222179 | Housing Assem. - RH/LH - JM<br>Hsg Assem. - RH/LH - AAU - S1223<br>Hsg Assem. - RH/LH - MW - S1215<br>Hsg Assem. -RH/LH -ABZ - S1221<br>Hsg Assem. - RH/LH - AG - S1410   |
| 17       | 43615054   | Bulkhead Assem.   |
| 18       | 38521036   | Wheel - AG  |

| Ref. No. | Part No. | Description                 |
|----------|----------|-----------------------------|
|          | 56512174 | Owner Manual - S1221, S1410 |
|          | 56512139 | Owner Manual                |
|          | 58142123 | + Carton                    |
|          | 58142127 | + Carton - S1221            |
|          | 58142130 | + Carton - S1410            |
|          | 58341007 | + Cleaner Support           |

**Cleaning Tools - S1211, S1215**

|          |                             |
|----------|-----------------------------|
| 38617017 | Crevice Too[ - AG           |
| 43414016 | Furniture Brush - AG        |
| 0M114169 | Rug & Floor Nozzle - AAP    |
| 3863801P | Extension Tube - Poly - AG  |
| 43434157 | Hose Assem. Comp. - AAZ/AAP |

**Cleaning Tools - S1223**

|          |                            |
|----------|----------------------------|
| 38617017 | Crevice Tool - AG          |
| 38614024 | Furniture Nozzle - AAP     |
| 43414064 | Dusting Brush - AG         |
| 0M114169 | Rug & Floor Nozzle - AAP   |
| 3863801P | Extension Tube - Poly - AG |
| 43434243 | Hose Assem. Comp. - w/SC   |

**Cleaning Tools - S1221**

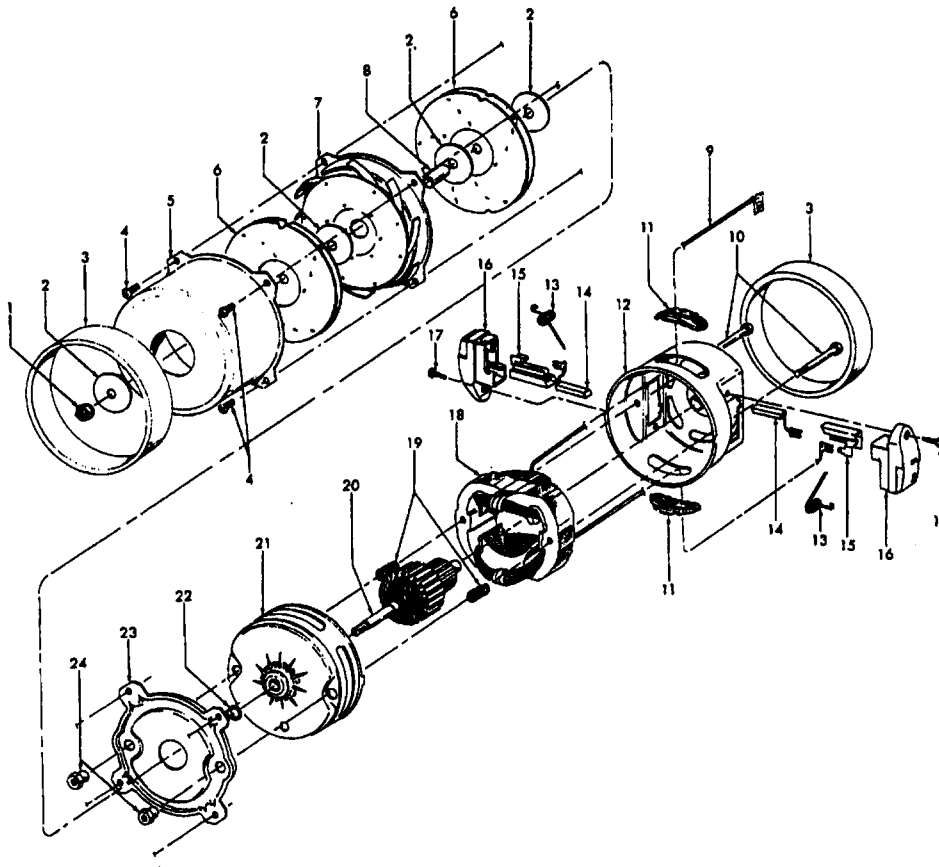
|          |                                      |
|----------|--------------------------------------|
| 38617017 | Crevice Tool - AG                    |
| 43414016 | Multi Purpose Brush - AG             |
| 3863801P | Extension Tube Assem. - AG           |
| 0M114169 | Rug and Floor Nozzle - ABE           |
| 43434157 | Hose Assem. Comp. - W/SC-ABX/AG - 6' |

**Cleaning Tools - S1410**

|          |                          |
|----------|--------------------------|
| 38617017 | Crevice Tool - AG        |
| 3863801P | Extension Tube - AG      |
| 43414016 | Multi Purpose Brush - AG |
| 43414172 | Rug & Floor Nozzle       |
| 43434157 | Hose Assem. Comp.        |

# Motor

S1211, S1215, S1221, S1223, S1410

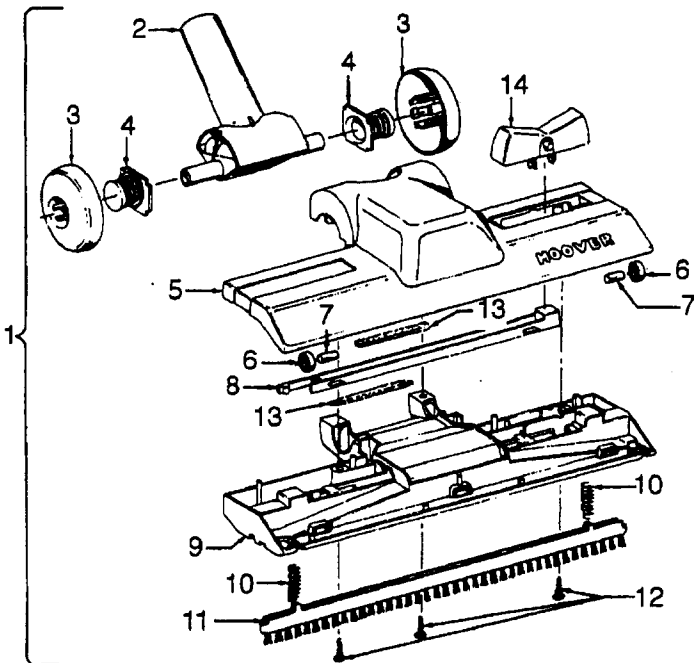
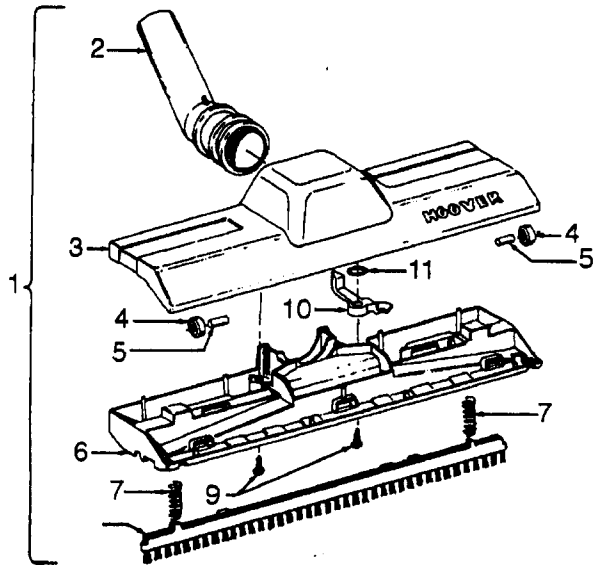


43578068 Motor Assem. Comp. - S1215, S1223  
 43177061 Motor Assem. Comp. - S1211, S1221, S1410

| Ref. No. | Part No. | Description   |
|----------|----------|---|
| 1        | 33426001 | Nut - EF  |
| 2        | 21312701 | * Washer (4)  |
| 3        | 31178007 | Motor Gasket (2)  |
| 4        | 21434224 | +* Screw - Self Tapping (4)   |
| 5        | 37191016 | Outer stage Housing - AY  |
| 6        | 43566017 | Fan Assem. (2)  |
| 7        | 43551005 | Interstage Assem.   |
| 8        | 31742010 | Fan Spacer  |
| 9        | 46176001 | Lead Wire Assem. - Black  |
| 10       | 33421004 | + Field Lamination Bolt - FW (2)  |
| 11       | 169702BZ | + Bushing (2)   |
| 12       | 42937003 | Motor Housing Assem. - Upper  |
| 13       | 38353004 | Spring (2)  |
| 14       | 167681   | Brush & Terminal Assem. (2)   |
| 15       | N/A      | Brush Holder (2) Use Brush Carrier Assem. 47318-008 (Incl. It. 13 - 16) |
| 16       | 167696AG | Brush Carrier (2)   |

| Ref. No. | Part No. | Description                                    |
|----------|----------|--|
| 17       | 21429406 | * Screw - Self Tapping - EF (2)                |
| 18       | 45311051 | Field Assem. Comp. - S1215, S1223              |
|          | 45311061 | + Field Assem. Comp. - S1211, S1221 S1410      |
| 19       | 167721FW | Spring compression (2) - S1215, S1223          |
|          | 38311023 | + Spring Compression (2) - S1211, S1221, S1410 |
| 20       | 44765171 | Armature Assem. Comp. - S1215, S1223           |
|          | 44765217 | Armature Assem. Comp. - S1211, S1221, S1410    |
| 21       | 37191085 | Motor Housing Assem. - Lower                   |
| 22       | 31148002 | Spacer   |
| 23       | 36322002 | Interstage Mounting Plate - FW                 |
| 24       | 167695EF | Nut - Special (2)                              |

# Rug & Floor Nozzle



| Ref. No. | Part No. | Description  |
|----------|----------|--|
| 1        | 43414121 | + Standard Rug & Floor Nozzle Assem. - AAP                                   |
|          | 43414139 | + Standard Rug & Floor Nozzle Assem. - AAP                                   |
|          | 43414140 | Standard Rug & Floor Nozzle Assem. - ABE (S3393-020, S3521)                  |
|          | 0M114169 | Standard Rug & Floor Nozzle - ABX - S1221, S1315, S1337, S3393-040           |
|          | 43414170 | + Standard Rug & Floor Nozzle AG - S1339, S3547                              |
|          | 43414172 | Standard Rug & Floor Nozzle - AG   |
| 2        | 38646039 | Nozzle Tube - AG   |
| 3        | 38615153 | + Rug & Floor Nozzle - AAP   |
|          | 38615182 | Rug & Floor Nozzle - ABE S3393-020, S3521, S1339, S3547, S1221, S1315, S1337 |
| 4        | 38521018 | Roller (2) (Nozzle 43414172 req's 4)   |
| 5        | 31511004 | Roller Axle - AY (2) (Nozzle 43414172 req's 4)                               |
| 6        | 36414018 | Brush Housing S1221, S1315, S1337  |
| 7        | 166649FW | Spring (2)   |
| 8        | 48443003 | Brush Back Assem. - AG   |
| 9        | 21447203 | Screw - Self Tapping (2)   |
| 10       | 38454004 | Brush Back Lever - MV  |
|          | 38454006 | + Brush Back Lever - ABN S3393-020, S3521, S1221 S1339, S3547                |
| 11       | 21329105 | + Felt Washer  |

| Ref. No. | Part No. | Description                              |
|----------|----------|--|
| 1        | 43414101 | + Deluxe Rug & Floor Nozzle Assem. - AAP |
| 2        | 38646045 | Nozzle Connector - AAP                   |
| 3        | 43244043 | Wheel & Bearing Assem. (2)               |
| 4        | 38511016 | Wheel Bearing - AAT (2)                  |
| 5        | 38615180 | Rug & Floor Nozzle - AAP                 |
| 6        | 38521018 | Roller (2)                               |
| 7        | 31511004 | Roller Axle - AY (2)                     |
| 8        | 38451008 | Slider - AG                              |
| 9        | 36414013 | + Brush Housing - MV                     |
| 10       | 166649FW | Spring (2)                               |
| 11       | 48443004 | Brush Back Assem. - AG                   |
| 12       | 21447203 | Screw - Self Tapping (3)                 |
| 13       | 34122013 | + Seal (2)                               |
| 14       | 38434015 | Pedal - MV                               |