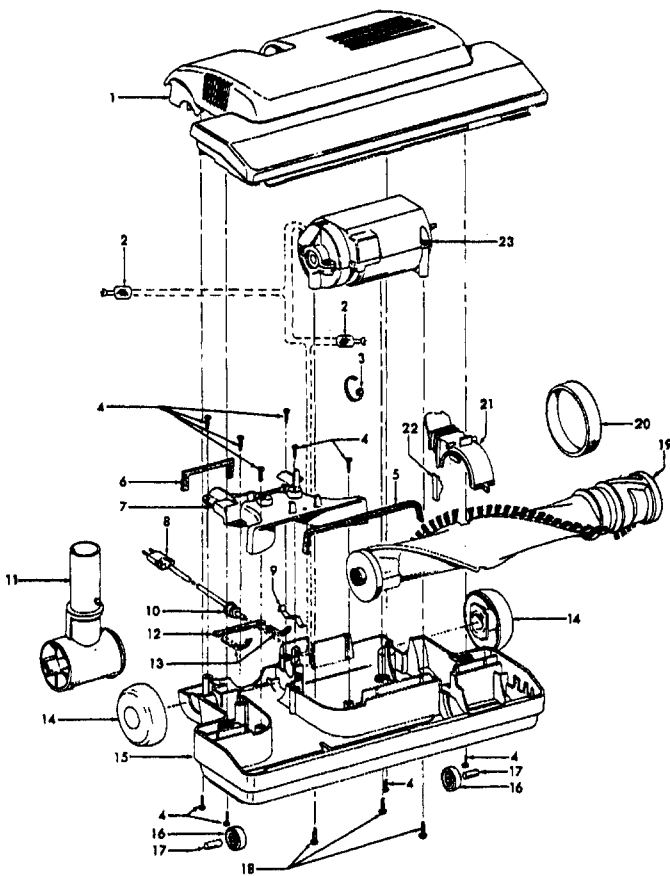
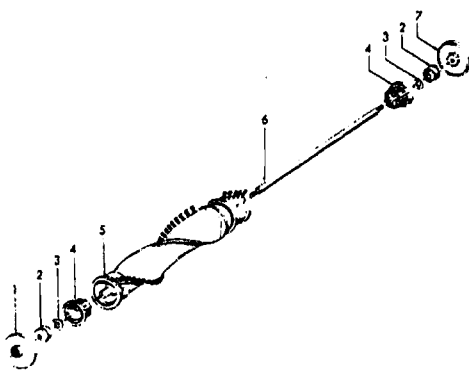


**Power Nozzle - 48438235 - AAP
48438068 - ABE**

Models S1347, S1349, S1353

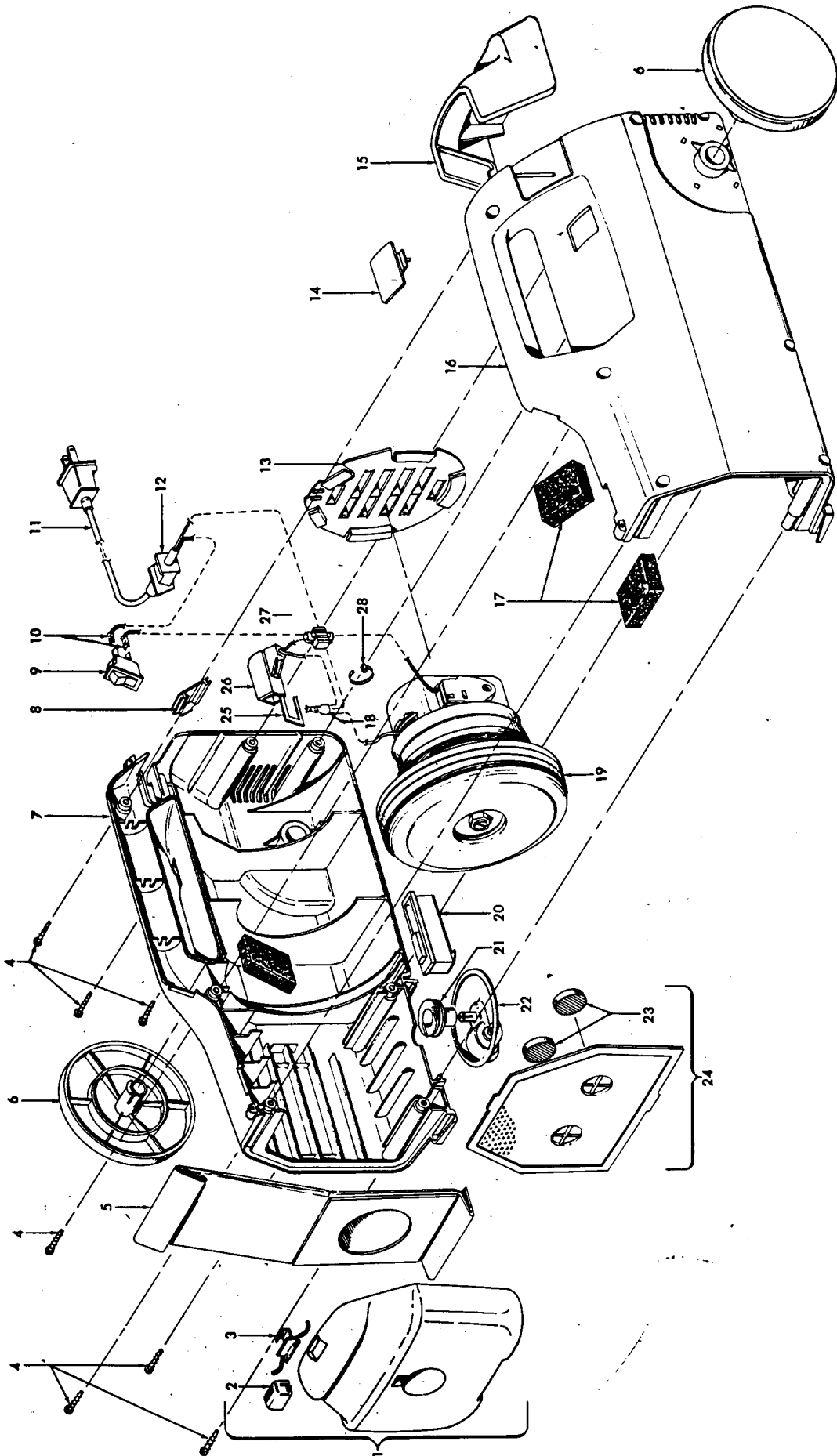


Ref. No.	Part No.	Description
1	37241138	Nozzle Body - AAP
	37241140	+ Nozzle Body - ABE - S1353
	42252A55	Nozzle Body - AG
2	12227	Insulated Terminal
3	27479307	* Lead Wire Tie
4	21447003	* Screw - Self Tapping (10)
5	34123039	* Duct Cover Seal
6	34253018	+ Rear Seal
7	42256103	Dust Cover Assm. (Incl. Items 5,6)
8	46321088	Cord Assm. - AG
9	35276008	Detent Spring
10	163768	Strain Relief
11	43482106	Nozzle Connector - AG S1353
12	34112007	* Seal
13	34122014	* Seal (2)
14	43244043	Wheel Assm.
	43244041	Wheel Assm. - ABR - S1353
15	42246115	Base Plate Assm. (Incl. Items 16,17)
	42246114	Base Plate Assm. - ABR - S1353 (Incl. Items 16, 17)
16	32761001	Wheel
17	31522004	Wheel Shaft
18	21479801	Screw (3)
19	48414079	Agitator Assm.
20	38528011	Belt
21	36923008	Belt Guard Assm.
22	13261AY	Rib Shoe
23	43177062	Motor Assm. Comp.



Agitator 48414079

Ref. No.	Part No.	Description
1	36423016	Thread Guard - RH
2	43267002	Agitator Bearing Assm. (2)
3	21347003	* Conical Washer (2)
4		Agitator End
5		Agitator Body
6		Agitator Shaft
7	36423017	Thread Guard - LH



Ref. No.	Part No.	Description
1	42227173	Bag Door Assm. - AG
2	38426085	Latch Button - AAP
	38426086	+ Latch Button - AG - S1353 (2)
3	36151022	Latch - BZ
4	21447122	+* Screw - Self Tapping (7)
5	4010063R	Disposable Bag (5 Pk.)
6	38522073	Wheel - AG - (2)
7	42222176	Housing Assm. - RH/LH - MV (incl. Items 7,14,16,17,25,26)
	42222187	Housing Assm. - RH/LH - ABB - S1349 (Incl. Items 7,14,16,17,25,26)
	42212132	Housing Assm. - RH/LH - ABN - S1353 (Incl. Items 7,14,16,17,25,26)
8	37911090	Cord Slot Filler - MV
	28161063	Switch Assm. - AAP
10	27666527	+ Terminal (2)
11	46363231	+ Attach. Cord Assm. - AAP - S1347
	46383264	Attach. Cord Assm. - AG - S1349
	46383291	Attach Cord - AG - S1353
12	N/A	Cord Protector
13	38763008	Baffle - MW
14	38422152	+ Cord Reel Plug - MV - S1347
	38422167	+ Cord Reel Plug - ABB - S1349
	38422169	+ Cord Reel Plug - ABN - S1353
15	36433080	Cord Wrap - MV - S1347
	36433072	Tool Rack - AAP - S1349
	36433089	Tool Rack - AG - S1353
16	42222176	Housing Assm. - RH/LH - MV
	42222187	Housing Assm. - RH/LH - ABB - S1349 (Incl. Items 7,14,16,17,25,26)
	42212132	Housing Assm. - RH/LH - ABN - S1353 (Incl. Items 7,14,16,17,25,26)
17	34141020	+ Motor Snubber (3)
18	18972	Insulated Terminal
19	43576083	Motor Assm. Comp. - S1347, S3153 -(P-206)
	43578067	Motor Assm. Comp. - S1349 -(P-206)

Ref. No.	Part No.	Description
20	51151024	Bag Indicator Assm. - KM/BU
21	38411057	+ Caster Housing - JM
22	41432040	Wheel Carrier Assm. - AG
23	163434	+ Pressure Pad (2)
24	43615053	Bulkhead Assm. - MW
25	34341011	Retainer Clip - AY
26	46326080	+ Receptacle Assm. - AG
27	27617104	Connector
28	27479307	* Wire Tie

ITEMS NOT ILLUSTRATED

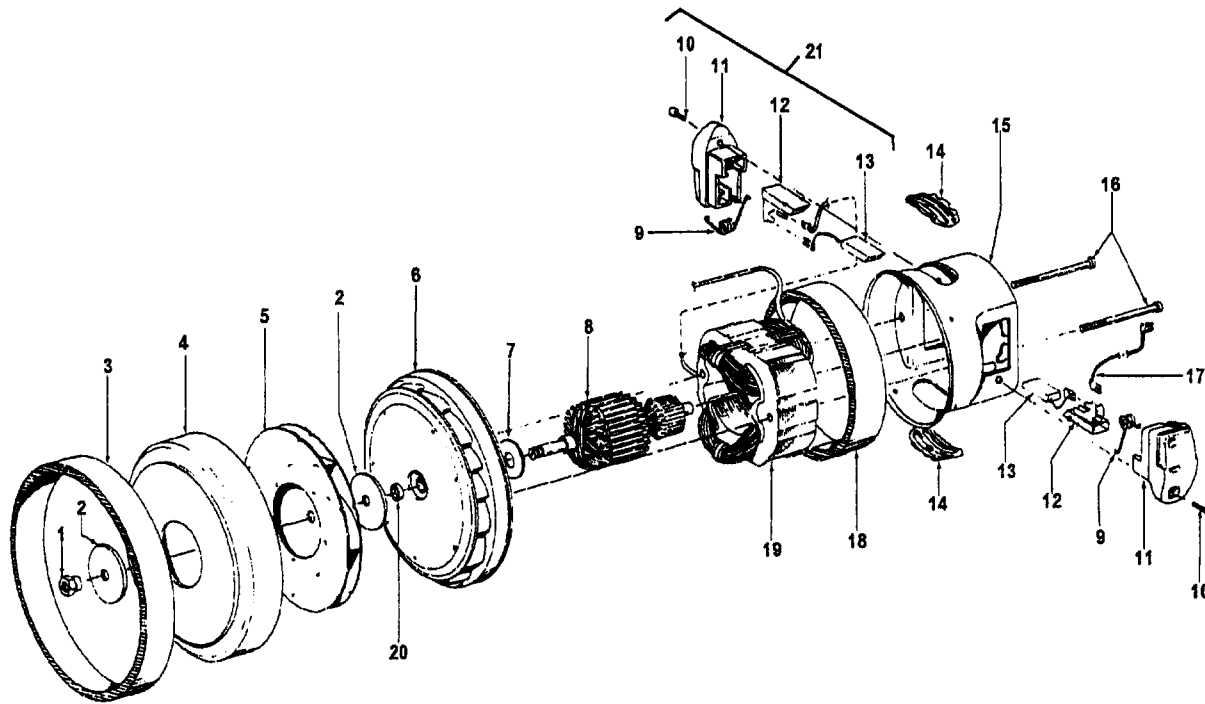
56512164	Owner Manual
58182005	+ Carton - S1347
58182007	Carton - S1349
58182008	+ Carton - S1353
58215007	+ Top Support
58247005	Handle Support
58345016	+ Bottom Support
36131083	+ Wire Retainer
51879007	+ Check Bag Label

Cleaning Tools - (P - 207)

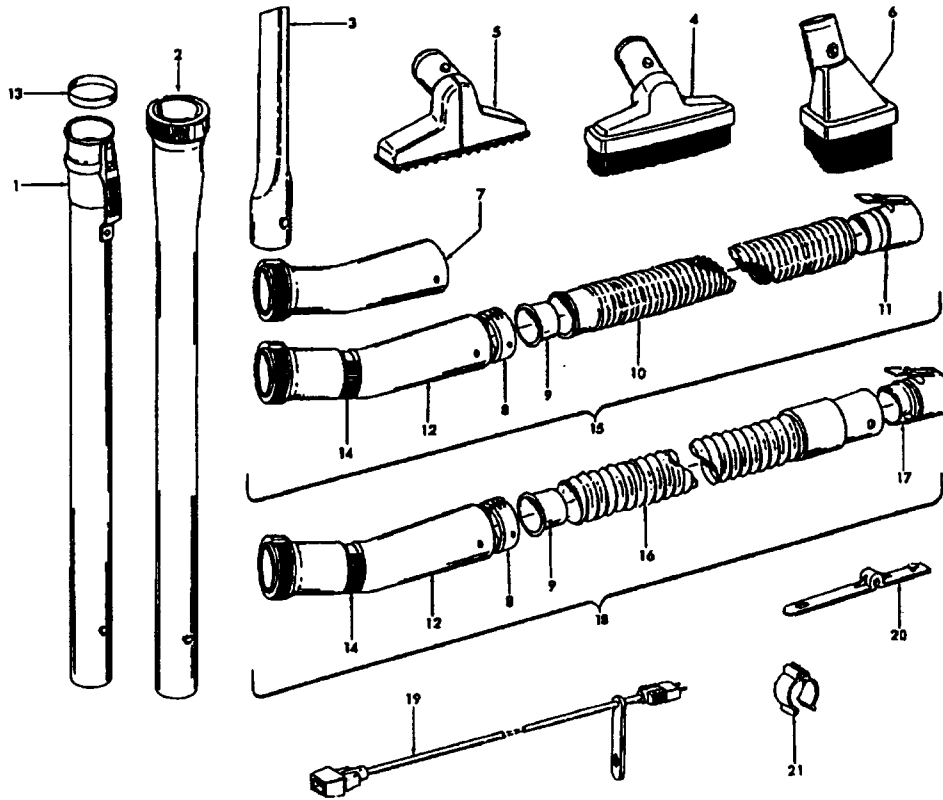
38617017	Crevice Tool
43414016	Furniture Brush - AG
43414073	Floor Brush Assm. - AAP
3863801P	Extension Tube - Poly - AG
43434243	Hose Assm. Comp. - S1347
43434194	Hose Assm. Comp. - MV - S/C - 6' S1349 (Incl. 5 Cord/Wand Clips & 5 Cord Straps)
46348028	Cord Set - S1347, S1349
36172023	Cord Strap - AG - S1347
36172930	Cord/Wand Clip - AAP
48438235	Power Nozzle - AAP - (P - 223)

Cleaning Tools - (P. 207) S1353

38617017	Crevice Tool - AG
38614024	Furniture Nozzle - AG
43414064	Dusting Brush - AG
3863801P	Extension Tube - Poly - AG
43434243	Hose Assm. Comp - ABX - S/C - 6'
46348031	Cord Set - AG (Incl. 5 Cord/Wand Clips & 5 Cord Straps)
36172023	Cord Strap - AG
36172584	Cord Wand Clip - AG
48438068	Power Nozzle - ABE - (P - 223)



Ref. No.	Part No.	Description	Ref. No.	Part No.	Description
1	12028	+ Nut			
2	21312774	+ Washer - FW (2)			
3	31178008	+ Motor Gasket			
4	37196065	Fan Cover			
5	43551008	Fan			
6	43551027	Diffuser Assem. Comp. S1311, S1311-020, S1323, S1347			
	43551030	Diffuser Assem. Comp. - S1319, S1329, S1335, S1349			
	43551029	Molded - (43576113 Motor)			
	43551029	+ Diffuser Assem. Comp. - Molded - S1315, S1337, S1339, S1353, S1420			
7	31165003	+ Bearing Retainer Plate - AY			
8	44765138	Armature Assem. Comp. - S1311, S1311-020, S1315, S1323, S1337, S1339, S1347, S1353, S1420			
	44765220	Armature Assem. Comp. - S1319, S1329, S1335, S1349			
9	38353004	Spring (2)			
10	21429406	* Screw (2)			
11	167696AG	Brush Carrier (2) - S1311, S1311-020, S1315, S1323, S1337, S1339, S1347, S1353, S1420			
	168038AG	Brush Carrier (2) - S1319, S1329, S1335, S1349			
12	N/A	Brush Holder (2) - S1311, S1311-020, S1315, S1323, S1337, S1339, S1347, S1353, S1420 - Use Brush Carrier Assem. 47318008 (Incl. It. 9, 11, 12, 13)			
	168506	Brush Holder (2) - S1319, S1329, S1335, S1349			
13	167681	Motor Brush Assem. (2) - S1311, S1311-020, S1315, S1323, S1337, S1339, S1347, S1353, S1420			
			14	169702BZ	+ Bushing (2)
			15	42193025	Motor Housing Assem.
			16	36112006	Field Lamination Bolt (2) (Use w/Metal Diffuser)
				21447222	+ Field Lamination Bolt - S1319, S1349 (Use w/Molded Diffuser)
			17	46176001	Lead Wire Assem
			18	38781017	+ Motor Gasket
			19	45311051	Field Assem. - S1311, S1311-020, S1315, S1323, S1337, S1339, S1347, S1353, S1420
				45311048	Field Assem. - S1319, S1329, S1335, S1349
			20	31148009	Bearing Spacer - AY (Use w/Metal Diffuser)
				31148011	Bearing Spacer - AY (Use w/Molded Diffuser)
			21	47318017	Brush Carrier Assembly - (Incl. 9 thru 13) - S1319, S1329, S1335, S1349
				47318008	Brush Carrier Assembly - (Incl. 9 thru 13) S1311, S1311-020, S1315, S1323, S1337, S1339, S1347, S1353, S1420
				43576083	Motor Assem. Comp. - S1311, S1323, S1311-020, S1315, S1337, S1339 S1347, S1353, S1420 (6.8 Amp) (Metal Diffuser)
				43578067	Motor Assem. Comp. - S1329, S1335 (Metal Diffuser)
				43576113	+ Motor Assem. Comp. - S1319, S1323, S1329, S1335, S1349 (7.5 Amp) (Molded Diffuser) (Use 43578067)



Ref. No.	Part No.	Description	Ref. No.	Part No.	Description
1	43453027	Extension Tube	14	38711006	Suction Control Ring
2	3863801P	Extension Tube - Poly - AG		38711012	Suction Control Ring - ABN
3	38617017	Crevice Tool	15	43434243	Hose Assem. Comp. - w/SC
4	43414016	Furniture Brush - AG		43434157	Hose Assem. Comp - ABX/AG
5	38614024	Furniture Nozzle - AG	16	43431149	+ Hose - Wire - AAP (Incl. Item 17)
6	43414064	Dusting Brush - AG		43431156	+ Hose Only - (Use 43434194)
7	43466054	+ Hose Grip - AAP	17	N/A	Hose Connector - MV
	43466066	Hose Grip - AG		38638060	Hose Connector - AG
8	36171025	Hose Connector Collar Molded Hoses	18	43434243	Hose Assem. Comp. - w/SC Wire
	36116008	Hose Connector Collar (Wire Hoses)		43434194	Hose Assem. Comp. - MV - S/C - 6'
9	32156010	Hose Sleeve	19	46348028	Cord Set - MV (Incl. Items 20, 21)
10	43431214	Hose - Less Ends - AAZ		46348031	Cord Set - AG
11	38638036	Hose Connector - AAP	20	36172023	Cord Strap - AG (5)
	38638059	+ Hose Connector - AG	21	36172584	Cord/Wand Clip - AG (2)
12	43466044	Hose Grip - w/SC - AAP			
	43466068	Hose Grip - w/SC - AG			
13	12845JM	Gasket			