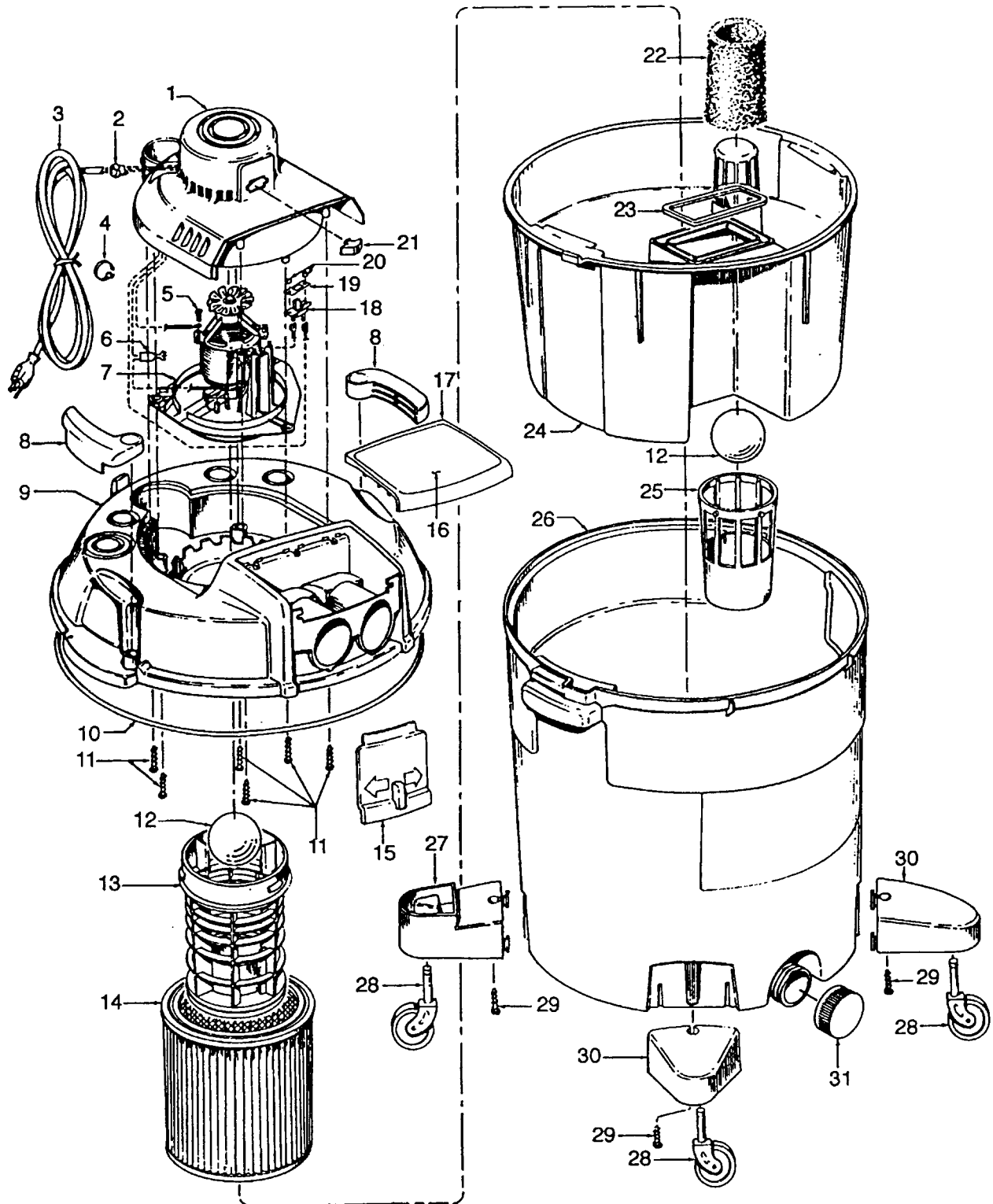


Wet/Dry Vacuum

Models S6631, S6633, S6635, S6641,
S6640, S6640-600, S6650, S6650-600



Wet/Dry Vacuum

Models S6631, S6633, S6635, S6641, S6640, S6640-600, S6650, S6650-600

Ref. No.	Part No	Description
1	37232015 37232017	Motor Cover Motor Cover - S6633, S6640, S6640-600, S6650, S6650-600
2	27482145	* Strain Relief Bushing
3	46543006 46543017	Attachment Cord - 6 Ft. Attachment Cord - 6 Ft. - S6650, S6650-600
4	27479307	* Lead Wire Tie
5	21447240	+ Screw - Self Tapping
6	12227	Insulated Terminal
7	43573015 43573017 43573022	Motor Assem. Comp. - 5.0 PHP - S6631, S6633, S6635, S6640, S6641, S6650-600 Motor Assem. Comp. - S6650 Motor Assem. Comp. - 4.5 PHP - S6640-600
8	36153051 36153057	Tank Latch (2) Tank Latch (2) - S6633, S6640, S6640-600, S6650, S6650-600
9	42232020 42232025 42232032	Lid (Incl. It. 8, 15, 16, 17) Lid (Incl. It. 8, 15, 16, 17) - S6633 Lid (Incl. It. 8, 15, 16, 17) - S6640, S6640-600, S6650, S6650-600
10	38781035 34123046	+ Seal (O-Ring) (S6631, S6635 Early) Seal - Flat (S6631, S6635 Late) S6641, S6633, S6640, S6640-600, S6650, S6650-600
11	21447072	* Screw - Self Tapping (6)
12	25661015	Ball Float (2)
13	36426026	Filter Support
14	43611009	Cartridge Filter
15	37238005 37238006	+ Valve Door Valve Door- S6633, S6640, S6640-600, S6650, S6650-600
16	51689036 51669072 52135079	Valve Cover Label Valve Cover Label - S6633 Valve Cover Label - S6640, S6640-600, S6650, S6650-600
17	N/A	Valve Cover
18	28177028	Switch
19	34127004	Switch Insulator
20	21364107	Speed Nut (2)
21	38421004 38421006	Switch Button Switch Button - S6633, S6640, S6640-600, S6650, S6650-600
22	43611040	Inner Tank Filter
23	38783002	Inner Tank Gasket
24	43641022	Inner Tank (Incl. Items 22,23)
25	38719026	+ Float Retainer
26	38777014 38777022 38777013 38777010 38777045 38777046 38777053 38777054	Cleaner Tank - 12.5 Gal. - S6631 Cleaner Tank - 12.5 Gal. - S6633 Cleaner Tank - 16 Gal. - S6635 Cleaner Tank - 16 Gal. - S6641 Cleaner Tank - 12.5 Gal. - S6640 Cleaner Tank - 16 Gal. - S6650 Cleaner Tank - 12.5 Gal. - S6640-600 Cleaner Tank - 16 Gal. - S6650-600
27	36432046	Caster Support - Deluxe (2)
28	23737112	Caster Wheel (4)
29	21447215	* Screw - Self Tapping (4)
30	36432042	Caster Support - Standard (2)
31	37911008 37911010	Drain Cap & Seal Drain Cap & Seal - S6633, S6640, S6640-600, S6650, S6650-600

PACKAGING MATERIAL

56514003	Owners Manual
56514012	+ Owners Manual - S6633
56514019	Owners Manual - S6640, S6640-600, S6650, S6650-600
58168026	+ Carton - S6631
58168023	+ Carton - S6635
58168024	+ Carton - S6641
58168031	+ Carton - S6633
58168044	Carton - S6640
58168045	+ Carton - S6650
58168048	Carton - S6640-600
58168049	Carton - S6650-600
58286010	+ Ext. Tube Support
58286012	+ Ext. Tube Support - S6633, S6640, S6640-600
58286013	+ Ext. Tube Support - S6641, S6650, S6650-600

Cleaning Tools - 1-1/4" - Model S6631

38614029	Furniture Nozzle
38615008	Nozzle - 10"
38617024	Crevice Tool - AG
38634078	Ext. Tube (2)
39512006	Squeegee (For 10" Nozzle)
43414145	Dusting Brush - AG
43434034	Hose Assem. Comp.

Cleaning Tools - 1-1/4" - Model S6640, S6640-600

38614029	Furniture Nozzle
38615008	Nozzle - 10"
38617024	Crevice Tool - AG
38634078	Extension Tube
39512006	Squeegee (For 10" Nozzle)
43414145	Dusting Brush - AG
43434034	Hose Assem. Comp.

Cleaning Tools - 2-1/2" - Model S6635, S6641, S6650, S6650-600

38614027	Utility Nozzle
38638032	Ext. Tube (2)
43434004	Hose Assem.
32283002	Adapter - AG - S6641
38619016	Blower Nozzle - AG - S6641

Cleaning Tools - 1-1/4" - Model S6633

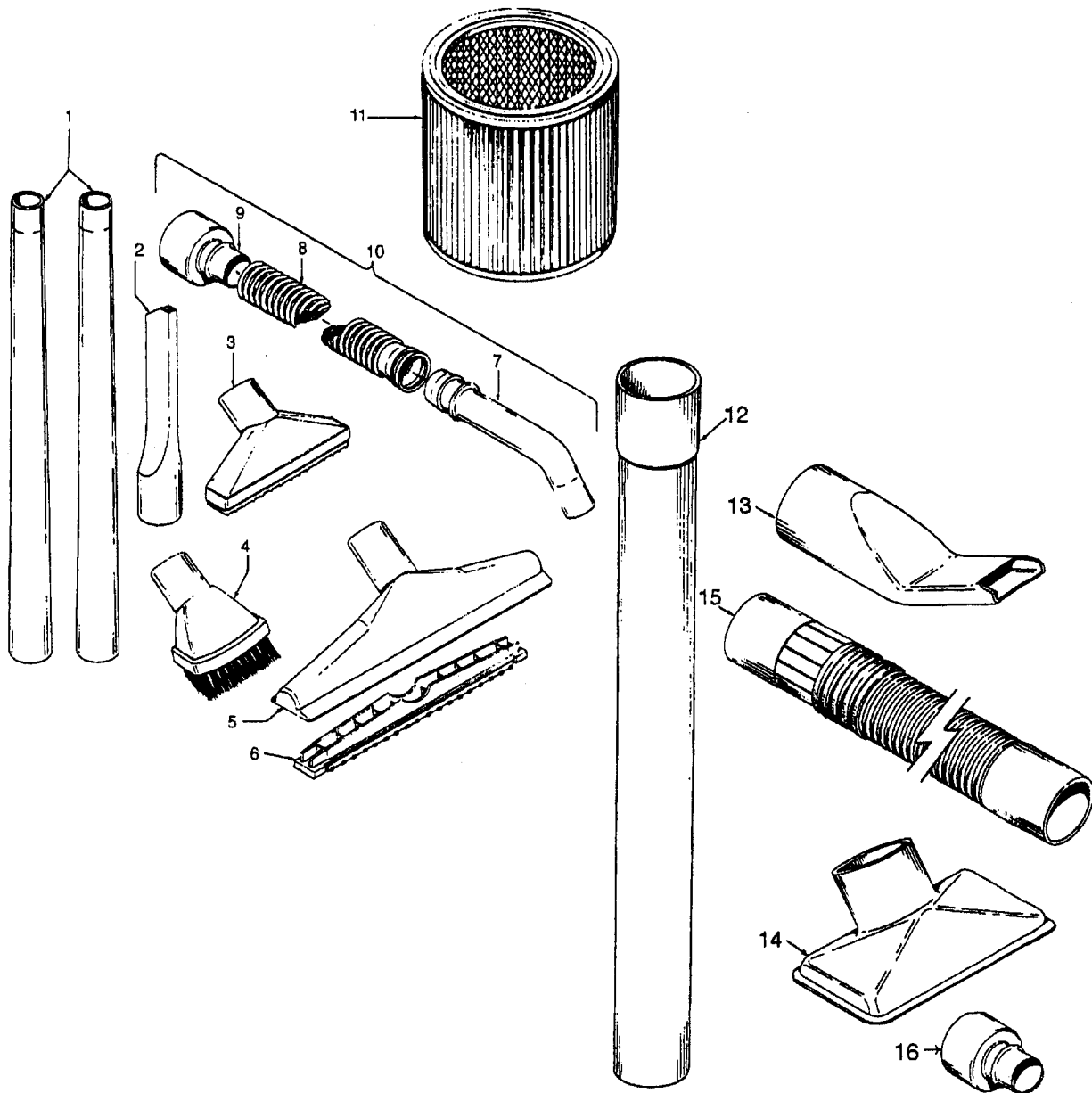
38614029	Furniture Nozzle
38615008	Nozzle - 10"
38617024	Crevice Tool - AG
38634078	Ext. Tube (2)
39512006	Squeegee (For 10" Nozzle)
43414145	Dusting Brush - AG
43414142	Floor Brush Assem. - AG
43434034	Hose Assem. Comp

ITEMS NOT ILLUSTRATED

21447218	Screw-Self Tapping (Valve Cover)
27618508	Wire Connector

Wet/Dry Vacuum

Cleaning Tools



Ref. No.	Part No	Description
1	38634078	Extension Tube (2)
2	38617024	Crevice Tool - AG
	38617008	Crevice Tool - AG - 2-1/2"
3	38614029	Furniture Nozzle - AG
4	43414145	Dusting Brush
5	38615008	Nozzle - 10"
	38615009	+ Nozzle - 14"
6	39512006	Squeegee (For 10" Nozzle)
7	39454059	Hand Grip
8	N/A	Hose

Ref. No.	Part No	Description
9	38638061	Hose Connector
10	43434034	Hose Assem. Comp.
11	43611009	Cartridge Filter (Optional)
12	38638032	Extension Tube - 2-1/2"
13	38619016	Blower Nozzle - 2-1/2"
14	38614027	Utility Nozzle - 2-1/2"
15	43434004	Hose Assem. - 2-1/2"
16	32283002	Adapter- For using 1 1/4" tools on 2" hose

Note: Accessories are all 1-1/4" Dia. unless otherwise specified.