

Wet/Dry Vacuum

Models S6751, S6755, S6757, S6760, S6760-600

Ref. No.	Part No.	Description
1	37471001	Blower Housing - Upper - AG
	37471004	Blower Housing - Upper - ABZ
2	38421043	Switch Button - ABN
	38421044	Switch Button - S6757
	38421020	+ Switch Button - S6760, S6760-600
3	28177030	Switch
4	21455325	* Screw - Self Tapping (4)
5	36322009	Motor Mounting Ring - AG
6	21447072	* Screw - Self Tapping (14)
7	21447240	+ Screw - Self Tapping
8	12227	Insulated Terminal
9	46543008	Attachment Cord Assm. - 12 Ft. S6755, S6757, S6760, S6760-600
	46543007	Attachment Cord Assm. - 12 Ft. S6751
10	27222005	Motor - 6.0 PHP - S6755, S6757, S6760, S6760-600
	27222004	Motor - 3 PHP - S6751
11	38781033	Seal
12	36913021	* Insulator
13	37471002	Blower Housing - Lower - AG (Incl. Item 11)
	37471003	Blower Housing - Lower - ABZ Incl. It. 11)
14	36152021	Latch - ABN (2)
	36152022	Latch - ABZ (2)
15	38781034	Seal - Inner
16	36153051	Tank Latch (2)
	36153057	Tank Latch (2) - S6757, S6760
17	36433091	Tool Rack -AG
18	42232026	Lid Assm. (Incl. It. 14, 19, 20, 24, 25, 26, 27)
	42232028	Lid Assm. (Incl. It. 14, 19, 20, 24, 25, 26, 27) (S6757)
	42232033	Lid Assm. (Incl. It. 14, 19, 20, 24, 25, 26, 27) (S6760)
19	38781035	+ Seal (O-Ring)
	34123046	Seal - Flat
20	21312797	+* Flat Washer (2)
21	25661015	Ball Float (2)
22	36426026	Filter Support
23	43611009	Cartridge Filter
24	37238005	+ Valve Door
	37238006	Valve Door - S6757, S6760, S6760-600
25	N/A	Diffuser - AG
26	51689037	Valve Cover Label
	51669073	Valve Cover Label - S6757
	51639158	Valve Cover Label - S6760, S6760-600
27	N/A	Valve Cover

Ref. No.	Part No.	Description
28	43611040	Inner Tank Filter
29	38783002	Inner Tank Gasket
30	43641022	Inner Tank (incl. Items 28,29)
31	38719026	+ Float Retainer
32	38777013	Tank - MW - 16 Gal. - S6755
	38777014	Tank - MW - 12.5 Gal. - S6751
	38777023	Tank - 16 Gal. - S6757
	38777047	Tank - 16 Gal. - S6760
	38777055	+ Tank - 16 Gal. - S6760-600
33	36432046	Caster Support - Deluxe (2)
34	36432042	Caster Support - Standard (2)
35	21447215	* Screw - Self Tapping (4)
36	23737112	Caster Wheel (4)
37	37911008	Drain Cap & Seal
	37911010	Drain Cap & Seal - S6757, S6760

PACKAGING MATERIAL

56514013	+ Owners Manual
56514020	Owners Manual - S6760
58366095	+ Top Support
58178022	+ Carton - S6751
58168039	+ Carton - S6755
58168032	+ Carton - S6757
58168046	Carton - S6760
58168050	+ Carton - S6760-600
58286010	+ Ext. Tube Support
58286014	+ Extension Tube Support - S6760

Cleaning Tools - (P - 285)

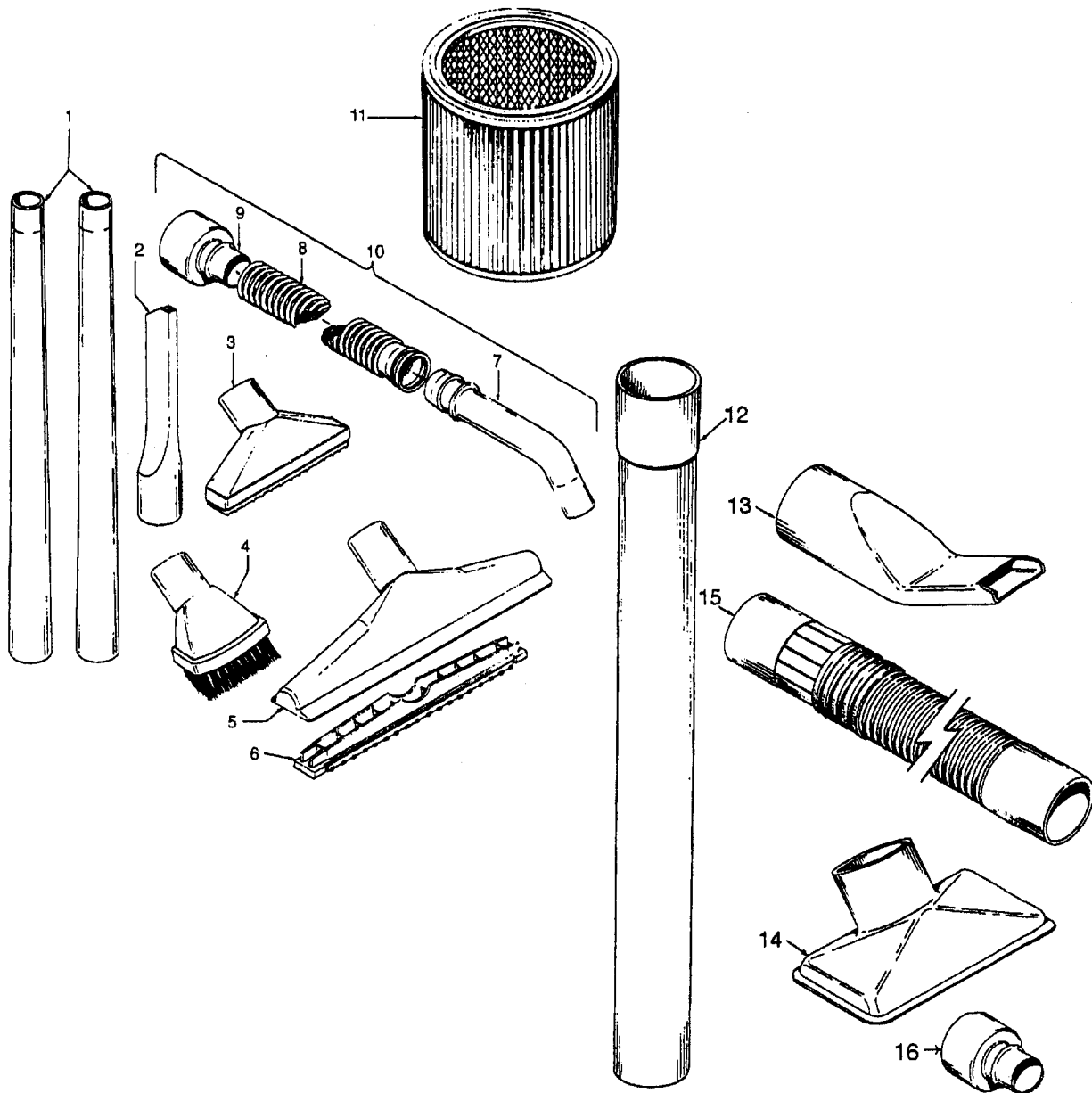
38615008	Nozzle - 10" (For 1-1/4" Hose)
38615009	+ Nozzle - 14" - S6757
39512006	Squeegee (For 10" Nozzle)
38634078	Extension Tube - 1-1/4"
38638032	Ext. Tube - 2-1/2" (2)
38617024	Crevice Tool - AG
38614029	Furniture Nozzle - AG
38614027	Utility Nozzle - 2-1/2"
38619016	Blower Nozzle - 2-1/2"
43434004	Hose Assm. - 2-1/2"
43434034	Hose Assm. Comp.
32283002	Adapter - S6757
43414145	Dusting Brush Assem. - S6757

ITEMS NOT ILLUSTRATED

27618508	Wire Connector
----------	----------------

Wet/Dry Vacuum

Cleaning Tools



Ref. No.	Part No	Description
1	38634078	Extension Tube (2)
2	38617024	Crevice Tool - AG
	38617008	Crevice Tool - AG - 2-1/2"
3	38614029	Furniture Nozzle - AG
4	43414145	Dusting Brush
5	38615008	Nozzle - 10"
	38615009	+ Nozzle - 14"
6	39512006	Squeegee (For 10" Nozzle)
7	39454059	Hand Grip
8	N/A	Hose

Ref. No.	Part No	Description
9	38638061	Hose Connector
10	43434034	Hose Assem. Comp.
11	43611009	Cartridge Filter (Optional)
12	38638032	Extension Tube - 2-1/2"
13	38619016	Blower Nozzle - 2-1/2"
14	38614027	Utility Nozzle - 2-1/2"
15	43434004	Hose Assem. - 2-1/2"
16	32283002	Adapter- For using 1 1/4" tools on 2" hose

Note: Accessories are all 1-1/4" Dia. unless otherwise specified.