

Ref. No.	Part No.	Description
1.	Note: All Hoods Include Item 2	
	37253310	Hood - S3630
	37253311	Hood - S3646, S3646-020, S3649, S3655, S5711, S5713 S5686, S5688
	37253314	Hood - S3640
	37253330	Hood - S3639
	37253331	Hood - S3661
	37253332	Hood - S3636-050
2.	39383105	Lens
3.	47171020	Dirt Finder Socket Assembly
4.	27317307	Dirt Finder Bulb
5.	21447003	* Screw - 8 required
6.	36218016	Grommet - 3 required
7.	27618508	* Wire Connector - 3 required
8.	34253018	+ Rear Seal
9.	37243031	Duct Cover
10.	34113008	* Seal
11.	43244043	Wheel / Axle Assembly - 2 required
12.	43177062	Motor Assembly
13.	013261AY	* Rib Shoe
14.	37243029	Agitator Cover Assembly - (Inc. items 13, 15, 16) See note
15.	37243030	Duct Cover
16.	21479449	* Screw
17.	34122014	* Seal - 2 required
18.	34112007	* Seal
19.	43482106	Nozzle Connector
20.	27479307	* Cable Tie - 2 required
21.	48414084	Agitator Assembly
22.	35276008	Detent Spring
23.	163768--	Strain Relief
24.	46521021	Power Nozzle Cord - 3 wire
	46321105	Cord - 2 wire - S5686, S5688
25.	38528036	Belt
26.	31522004	Wheel Shaft
27.	32761001	Wheel
28.	39511004	Litter Picker - 2 required
29.	21447236	* Screw - 2 required
30.	37245053	Base Plate - (Includes items 26, 27, 28) See note
31.	21479801	* Screw - 3 required
32.	51669082	Nameplate - S3630, S3640
	51669083	Nameplate - S3655, S5711, S5713, S5686, S5688
	N/A	Nameplate - S3639, S3646, S3646-020, S3649, S3661
	51659042	Hood Nameplate - S3636-050

Note: Does not include pulley seals. Order part number 38781053.

**WindTunnel Deluxe
TurboPOWER Canister
Farrington WindTunnel Canister**

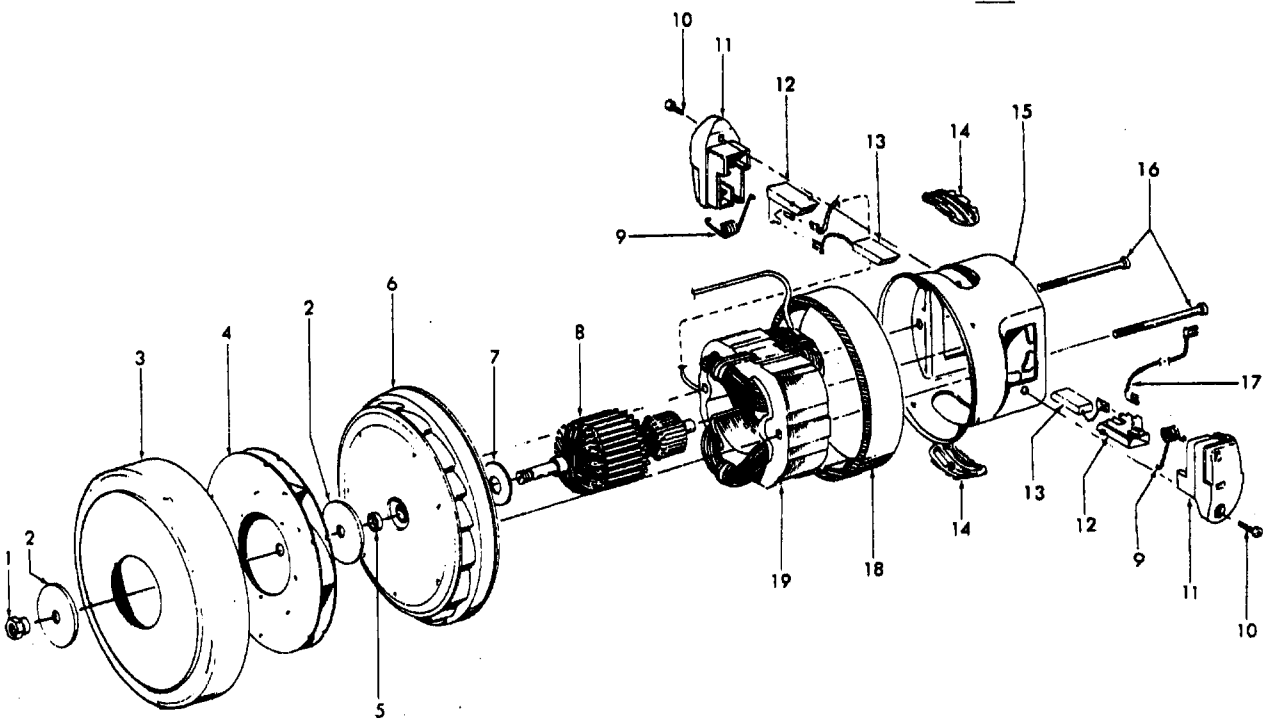
**Model S3630
Model S3646, S3646-020
Model S3636-050**

Ref. No.	Part No.	Description
1	37215180	Tool Lid - AAN
2	21447217	* Screw (7)
3	38314024	Spring - FW
4	27618508	* Wire Connector
5	34633003	+ Retainer Seal - RH
6	43576192	Motor Assem. (P - 266)
7	27479307	* Lead Wire Tie
8	36235069	Furniture Guard - AG
9	27618508	* Wire Connector
10	36322031	Motor Mount
11	34174012	* Exhaust Filter
12	38769019	Exhaust Filter Cassette - AAU
13	21378160	Retaining Clip
14	28382085	Thermal Protector
15	42215003	Main Body Assem. - AG (Incl. Items 8,31,34)
	42215009	Main Body Assem. - AAY - (Incl. It. 8,31,34)
16	N/A	Cord Reel Support
17	N/A	Torsion Spring
18	N/A	Brake Lever - AAP
19	N/A	Brake Pad
20	N/A	Push Nut
21	N/A	Spacer - BZ (2)
22	N/A	Retainer - AG
23	46383288	Attachment Cord - AG
24	36218018	Ferrule - AG
25	N/A	Contact Spring (2)
26	N/A	Brush Holder - BZ
27	N/A	Slip Ring Assem. - White
28	N/A	Slip Ring Assem. - Black
29	N/A	Spool & Spring Assem.
30	38522065	Wheel - AG (2)
31	46326082	Receptacle Assem. - AG
32	41432040	Wheel Carrier Assem. - AG
33	21447223	+* Screw - Self Tapping
34	36218020	Cord Channel Cover - AG
35	36424010	Bag Collar Support - AG
36	4010100S	Disp. Bag - 3 pack - Allergen Filtration
37	51151010	Bag Indicator Assem
	51151028	Bag Indicator Assem. - S3646-020
38	36424012	Bag Collar Seal - AG
39	36151027	Bag Lid Hinge - AG (2)
40	37944005	Filter Retainer - AG
41	38765009	Secondary Filter
42	21378159	Speed Clip (2)
43	Note: Bag Lid Assem's include items 37, 38, 44, 45	
	42212135	Bag Lid Assem. - AG - Common - S3646
	42217179	Bag Lid Assem. - ABY - S3630
	42217189	Bag Lid Assem. - AY - S3636-050 -
	42217191	Bag Lid Assem. - AG - S3646-020
44	38351009	Torsion Spring
45	36153040	Bag Lid Latch - AG
	36153048	Bag Lid Latch - AAY
46	34633002	Retainer Seal - LH
47	34123040	* Retainer Seal - Center
48	41312040	Motor Retainer - AAP (Incl. Items 5,46,47)

Ref. No.	Part No.	Description
49	28218048	Switch
50	N/A	Switch Mounting Plate - AAP
51	41426134	Motor Cover - ABM - S3630 - (Incl. Items 3,56,57)
	41426130	Motor Cover - AG - S3646, S3646-020 (Incl. Items 3, 56, 57)
52	37941043	Rheostat Cover - AG
53	38314026	Spring
54	23762005	* Plug
55	38422184	Switch Pedal - AG
56	38422155	Cord Reel Pedal - AG
57	38458034	Cord Reel Brake Arm - AG
58	41911014	Cord Reel Assem.
	56513349	Owner Manual
	56513354	Owner Manual - S3636-050, S3646-020
	58175129	Carton - S3630
	58175130	Carton - S3646, S3646-020
	58175138	Carton - S3636-050
	58211011	Bottom Support - Front
	58211012	+ Bottom Support - Rear

CLEANING TOOLS (P - 240)

38617017	Crevice Tool - AG
43414057	Furniture Nozzle - AG
43414064	Dusting Brush - AG
43414073	Floor Brush - AG
43453023	Extension Tube - AX - 20
43453099	Extension Tube - AX
49129008	Turbine Hand Tool - S3646-020
43433116	Hose - 2W - (P - 278)
48438197	Power Nozzle - ABM (P- 314) - S3630
48438204	Power Nozzle - (P- 314) S3646, S3646-020
48438268	Power Nozzle - AAY - S3636-050

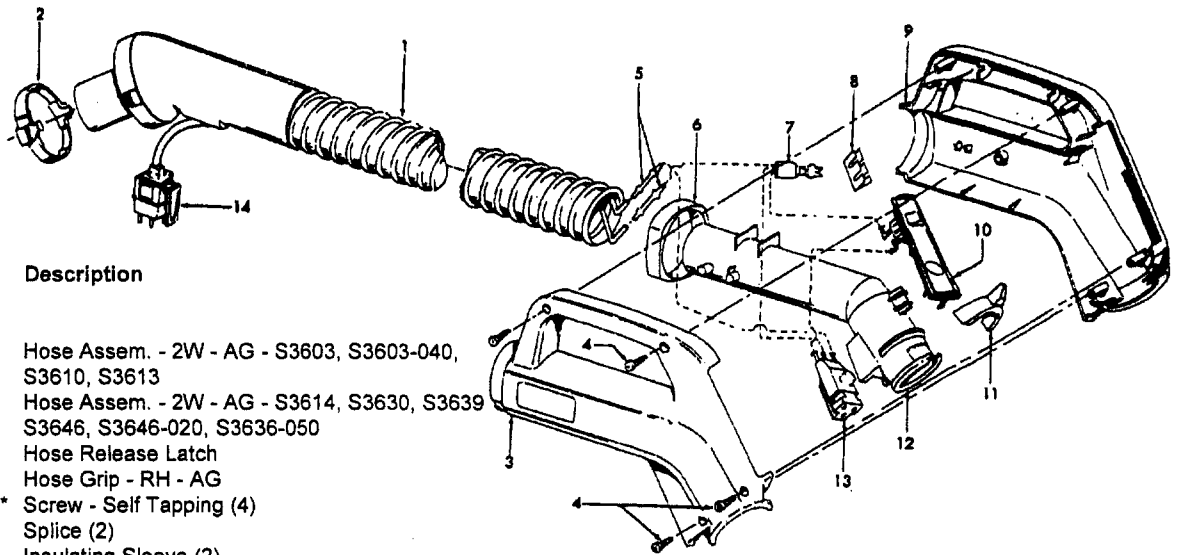


Ref. No.	Part No.	Description
	43576184	Motor Assem. (Molded Diffuser)
	43576192	Motor Assem. - S3630, S3639, S3646, S3646-020, S3649, S3655, S3661
1	12028--	+ Nut
2	21312774	+ Washer - FW (2)
3	37196065	Fan Cover
4	43551008	Fan
5	31148009	Bearing Spacer (Use w/Die Cast Diffuser)
	31148011	Bearing Spacer (Use w/Molded Diffuser)
6	43551029	+ Diffuser Assem. Comp. (Molded)
7	31165003	+* Bearing Retainer Plate (Die Cast Diffuser)
8	44765138	Armature Assem.
	44765241	Armature Assem. - S3630, S3646, S3655
9	38353004	Spring (2)
10	21429406	* Screw (2)
11	167696AG	Brush Carrier (2)

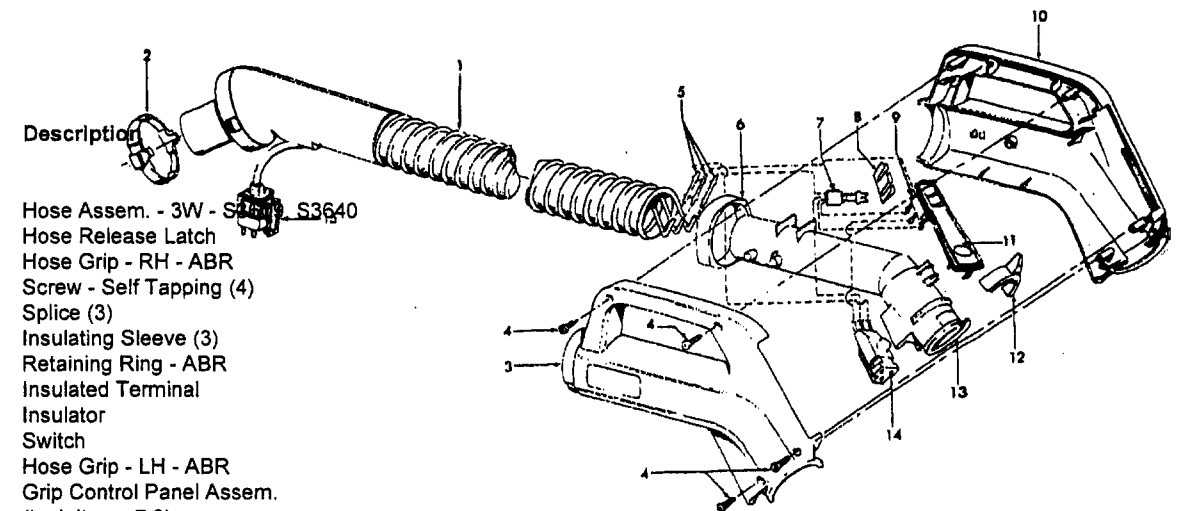
Ref. No.	Part No.	Description
12	N/A	Brush Holder (2) - Use Brush Carrier Assem. 47318008 (Incl. lt. 9, 11, 12, 13)
13	167681 47315011	Motor Brush Assm. (2) Motor Brush Assm. (2) - S3630, S3646, S3655
14	169702BZ	+ Bushing (2)
15	42193025	Motor Housing Assm.
16	36112006	Field Lamination Bolt (2) (Die Cast Diffuser)
	21447222	+ Field Lamination Bolt (2) (Phenolic Diffuser)
	21479573	Screw (2) - S3630, S3646, S3655
17	46176001	Lead Wire Assm.
18	36322031	Motor Gasket
19	45311051	Field Assm.

Hose Assembly - PowerMAX/TurboPOWER/ WindTunnel

Models S3603, S3603-040, S3609,
S3610, S3613, S3614, S3630, S3639,
S3640, S3646, S3646-020, S3636-050




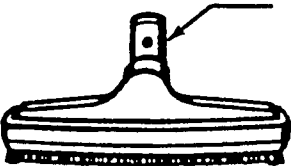



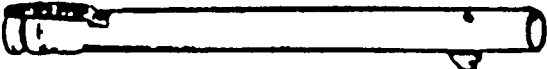


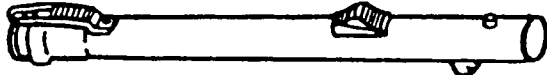
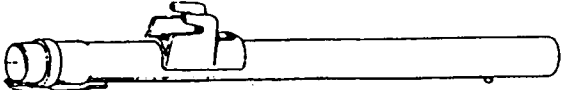
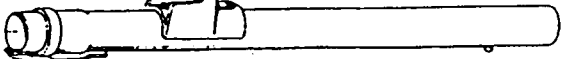

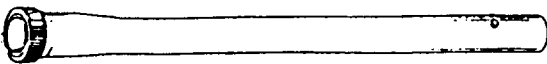


Ref. No.	Part No.	Description
1	43433110	Hose Assem. - 2W - AG - S3603, S3603-040, S3610, S3613
	43433116	Hose Assem. - 2W - AG - S3614, S3630, S3639, S3646, S3646-020, S3636-050
2	36153038	Hose Release Latch
3	39461018	Hose Grip - RH - AG
4	21447124	+* Screw - Self Tapping (4)
5	27613002	Splice (2)
	31712006	* Insulating Sleeve (2)
6	36131087	Retaining Ring - ABR
7	18972	Insulated Terminal
8	36913030	* Insulator
9	39461017	Hose Grip - LH - AG
10	47551011	Grip Control Panel Assem.
	47551031	Grip Control Panel Assem. (Inc. items 7, 13)
	51375132	Nameplate - Grip Control Panel
11	36153029	Latch Ring -AG
12	38646081	Inner Tube - AG
13	46526004	Connector - BZ
14	36152029	Plug Latch - AG
	40300051	Cord Repair Kit - 2W



Ref. No.	Part No.	Description
1	43433098	Hose Assem. - 3W - S3640
2	36153038	Hose Release Latch
3	39461016	Hose Grip - RH - ABR
4	21447124	* Screw - Self Tapping (4)
5	27613002	Splice (3)
	31712006	* Insulating Sleeve (3)
6	36131087	Retaining Ring - ABR
7	18972	Insulated Terminal
8	36913030	* Insulator
9	28267001	Switch
10	39461015	Hose Grip - LH - ABR
11	47551013	Grip Control Panel Assem. (Incl. Items 7,9)
	51375133	Nameplate - Grip Control Panel
12	36153029	Latch Ring - AG
13	38646034	Inner Tube - AG
14	46526004	Connector
15	36152029	Plug Latch - AG
	40300052	Cord Repair Kit - 3W

Cleaning Tools - Futura, Spectrum, Dimension, WindTunnel

	38617017 Crevice Tool - AG
	43414057 Furniture Nozzle - AG 43414141 Furniture Nozzle - ABR
	43414064 Dusting Brush - AG
	38644020 Swivel Connector - AG 38644040 Swivel Connector - AAP
	43414073 Floor Brush - AG
	48447001 + Brush Back
	36172584 Cord/Wand Clip
	43453052 Ext. Tube - 20 - AX
	43453027 Ext. Tube
	43453058 + Ext. Tube - BL 20 w/o Cord Clip
	43453023 Ext. Tube - AX 20
	43453095 Ext. Tube - AX 20 (Black Storage Clip) (Spectrum)
	43453098 Ext. Tube - AX 20 (Gray Storage Clip) (Futura)
	43453099 Ext. Tube - AX 20 (Black Storage Clip) (WindTunnel Canister)
	3863801P Extension Tube - Poly - AG