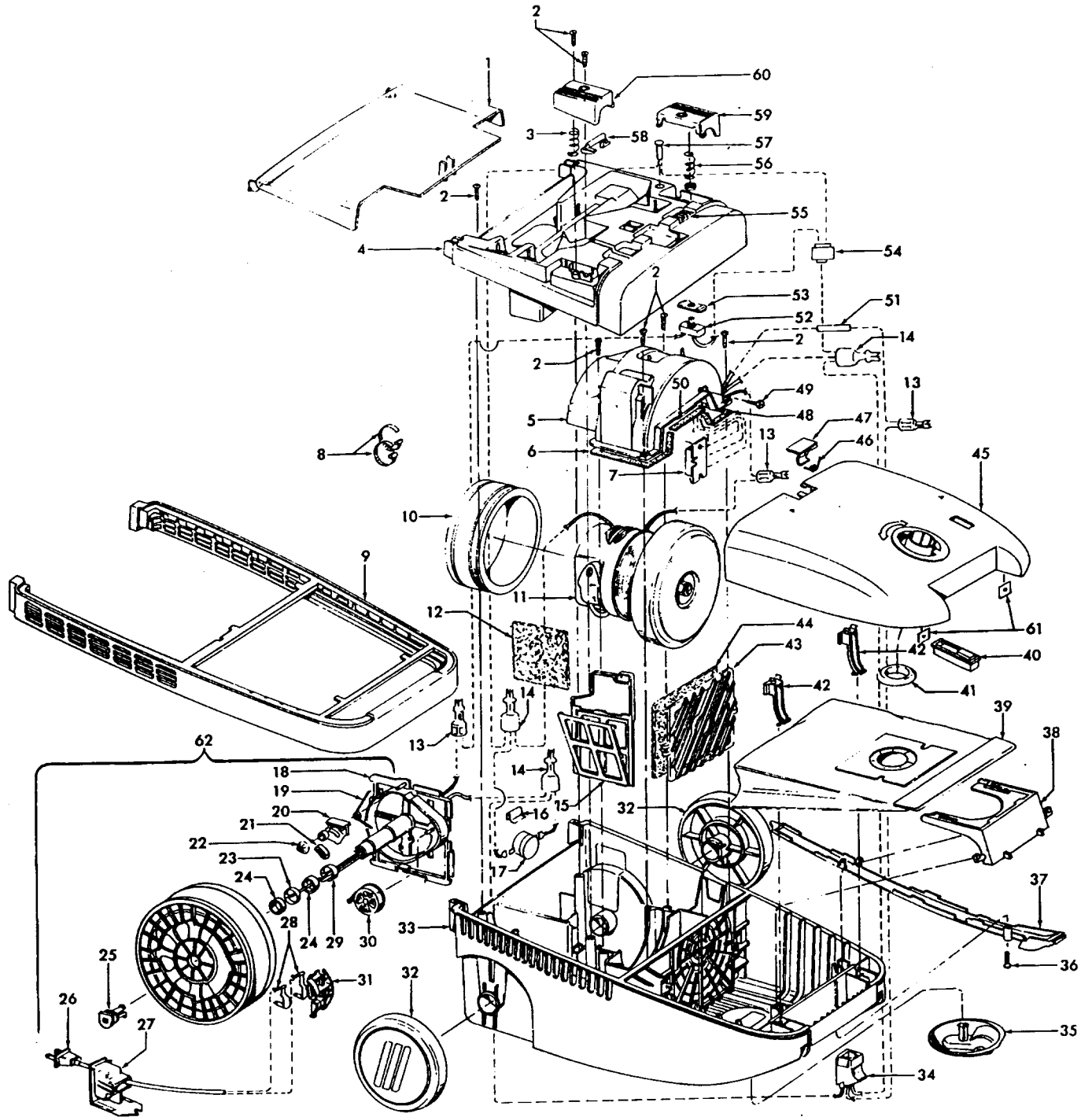


Ref. No.	Part No.	Description
1.	Note: All Hoods Include Item 2	
	37253310	Hood - S3630
	37253311	Hood - S3646, S3646-020, S3649, S3655, S5711, S5713 S5686, S5688
	37253314	Hood - S3640
	37253330	Hood - S3639
	37253331	Hood - S3661
	37253332	Hood - S3636-050
2.	39383105	Lens
3.	47171020	Dirt Finder Socket Assembly
4.	27317307	Dirt Finder Bulb
5.	21447003	* Screw - 8 required
6.	36218016	Grommet - 3 required
7.	27618508	* Wire Connector - 3 required
8.	34253018	+ Rear Seal
9.	37243031	Duct Cover
10.	34113008	* Seal
11.	43244043	Wheel / Axle Assembly - 2 required
12.	43177062	Motor Assembly
13.	013261AY	* Rib Shoe
14.	37243029	Agitator Cover Assembly - (Inc. items 13, 15, 16) See note
15.	37243030	Duct Cover
16.	21479449	* Screw
17.	34122014	* Seal - 2 required
18.	34112007	* Seal
19.	43482106	Nozzle Connector
20.	27479307	* Cable Tie - 2 required
21.	48414084	Agitator Assembly
22.	35276008	Detent Spring
23.	163768--	Strain Relief
24.	46521021	Power Nozzle Cord - 3 wire
	46321105	Cord - 2 wire - S5686, S5688
25.	38528036	Belt
26.	31522004	Wheel Shaft
27.	32761001	Wheel
28.	39511004	Litter Picker - 2 required
29.	21447236	* Screw - 2 required
30.	37245053	Base Plate - (Includes items 26, 27, 28) See note
31.	21479801	* Screw - 3 required
32.	51669082	Nameplate - S3630, S3640
	51669083	Nameplate - S3655, S5711, S5713, S5686, S5688
	N/A	Nameplate - S3639, S3646, S3646-020, S3649, S3661
	51659042	Hood Nameplate - S3636-050

Note: Does not include pulley seals. Order part number 38781053.

WindTunnel Ultra Canister
WindTunnel Canister

Model S3655
Model S3640

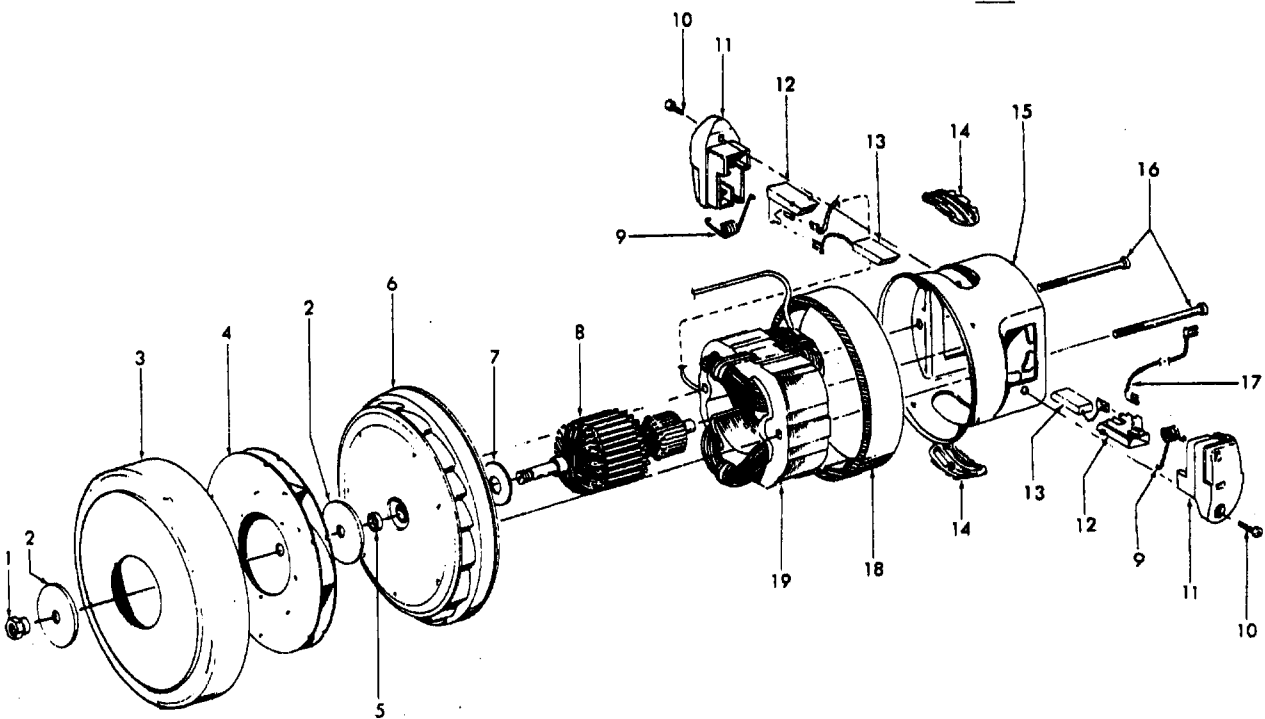


WindTunnel Ultra Canister
WindTunnel Canister

Model S3655
Model S3640

Ref. No.	Part No.	Description
1	37215180	Tool Lid - AAN
2	21447217	* Screw (7)
3	38314024	Spring - FW
4	41426130	Motor Cover - AG - S3655 (Incl. Items 3,58,60)
	41426141	Motor Cover - ACM - S3640 (Incl. Items 3, 58, 60)
5	41312048	Motor Retainer Assem. (Incl. Items 6,7,48,49,50,51)
6	34633003	+ Retainer Seal - RH
7		Included w/Item 5
8	27479307	* Lead Wire Tie
9	36235069	Furniture Guard - AG
10	36322031	Motor Mount
11	43576192	Motor Assem. (P-266)
12	34174012	* Exhaust Filter
13	12227	Insulated Terminal (2)
14	18972	Insulated Terminal (2)
15	38769019	Exhaust Filter Cassette - AAU
16	21378160	Retaining Clip
17	28382085	Thermal Protector
18	N/A	Cord Reel Support - BZ
19	N/A	Torsion Spring - FW
20	N/A	Brake Lever Assem. - AAP
21	N/A	Brake Pad
22	N/A	Push Nut
23	N/A	Slip Ring Assem. - White
24	N/A	Spacer - BZ (2)
25	N/A	Retainer - AG
26	46383288	Attachment Cord Assem. - AG
27	36218018	Ferrule - AG
28	N/A	Contact Spring (2)
29	N/A	Slip Ring Assem. - Black
30	N/A	Spool & Spring Assem.
31	N/A	Brush Holder
32	38522065	Wheel - AG (2)
33	42215004	Main Body Assem. - AG (Incl. Items 9,16,17,34,36,37)
34	46326082	Receptacle Assem. - AG - S3655
	46526015	Receptacle Assem. - AG - S3640
35	41432040	Wheel Carrier Assem. - AG
36	21447223	+* Screw - Self Tapping
37	36218020	Cord Channel Cover - AG
38	36424010	Bag Collar Support - AG
39	4010100S	Throw Away Bag Assem. - 3 pack Allergen Filtration
40	51151010	Bag Indicator Assem. Comp.
41	36424012	Bag Collar Seal - AG
42	36151027	Bag Lid Hinge (2)
43	37944005	Filter Retainer - AG
44	38765009	Secondary Filter
45	42212135	Bag Lid Assem. - AG -Common (Incl. Items 40,41,46,47,61)
46	38351009	Torsion Spring - FW
47	36153040	Bag Lid Latch -
48	34633002	Retainer Seal - LH
49	21466732	+* Screw - Self Tapping
50	34123040	* Retainer Seal - Center

Ref. No.	Part No.	Description
51		Incl. w/Item 5
52	28218048	Switch
53	Not Applic.	Switch Mounting Plate
54	27617106	+ Connector
55	37941043	Rheostat Cover - AG
56	38314026	Spring
57	27343250	Power Light
58	38458034	Cord Reel Brake Arm - AG
59	38422184	Switch Pedal - AG
60	38422155	Cord Reel Pedal - AG
61	21378159	Speed Clip (2)
62	41911014	Cord Reel Assem.
	56513349	Owner Manual
	58175131	Carton
	58211011	Bottom Support - Front
	58211012	+ Bottom Support - Rear
CLEANING TOOLS (P - 240)		
	38617017	Crevice Tool - AG
	43414057	Furniture Nozzle - AG
	43414064	Dusting Brush - AG
	43414073	Floor Brush - AG
	43453052	Extension Tube - 20 - AX - S3655
	43453023	Extension Tube - 20 - AX - S3640
	43453099	Extension Tube - AX - S3640, S3655
	3863801P	Extension Tube - Molded (3 included with model S3655)
	43433115	Hose - 3W - AG - S3655 - (P.279)
	43433098	Hose - 3W - AG - S3640 - (P. 278)
	48438204	Power Nozzle - AG- S3655 (P. 314)
	48438104	Power Nozzle - ACM - S3640 (P. 314)
	4341401P	Rug and Floor Nozzle - (1 included with model S3655)

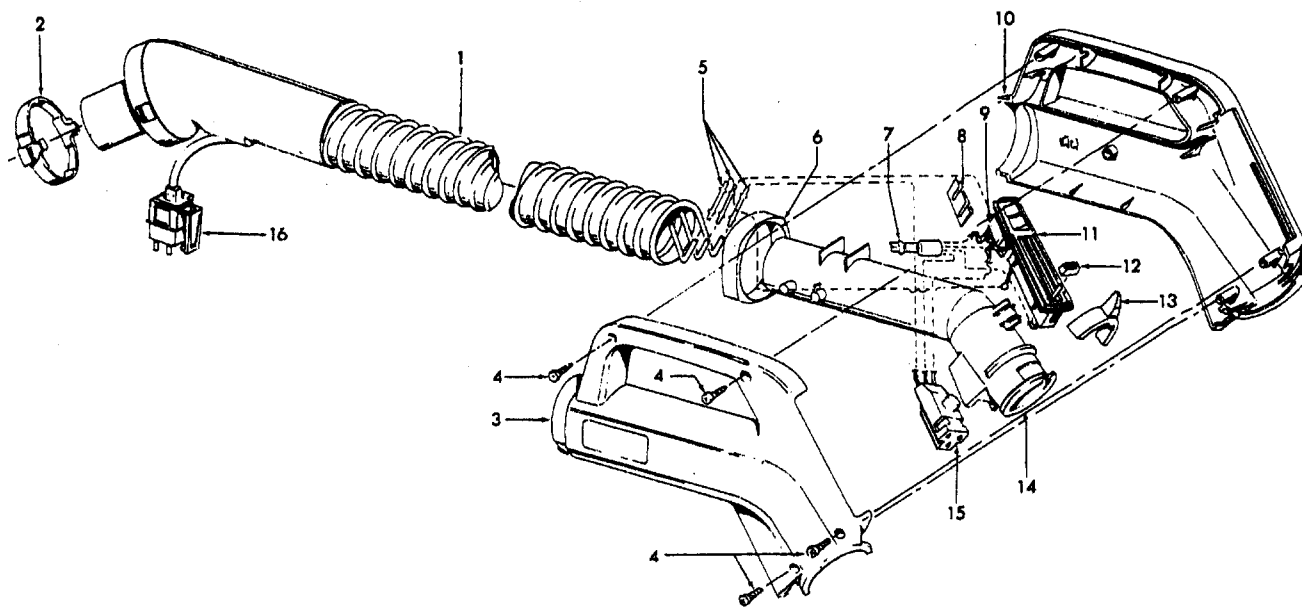


Ref. No.	Part No.	Description
	43576184	Motor Assem. (Molded Diffuser)
	43576192	Motor Assem. - S3630, S3639, S3646, S3646-020, S3649, S3655, S3661
1	12028--	+ Nut
2	21312774	+ Washer - FW (2)
3	37196065	Fan Cover
4	43551008	Fan
5	31148009	Bearing Spacer (Use w/Die Cast Diffuser)
	31148011	Bearing Spacer (Use w/Molded Diffuser)
6	43551029	+ Diffuser Assem. Comp. (Molded)
7	31165003	+* Bearing Retainer Plate (Die Cast Diffuser)
8	44765138	Armature Assem.
	44765241	Armature Assem. - S3630, S3646, S3655
9	38353004	Spring (2)
10	21429406	* Screw (2)
11	167696AG	Brush Carrier (2)

Ref. No.	Part No.	Description
12	N/A	Brush Holder (2) - Use Brush Carrier Assem. 47318008 (Incl. lt. 9, 11, 12, 13)
13	167681 47315011	Motor Brush Assm. (2) Motor Brush Assm. (2) - S3630, S3646, S3655
14	169702BZ	+ Bushing (2)
15	42193025	Motor Housing Assem.
16	36112006	Field Lamination Bolt (2) (Die Cast Diffuser)
	21447222	+ Field Lamination Bolt (2) (Phenolic Diffuser)
	21479573	Screw (2) - S3630, S3646, S3655
17	46176001	Lead Wire Assem.
18	36322031	Motor Gasket
19	45311051	Field Assem.




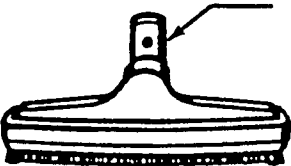



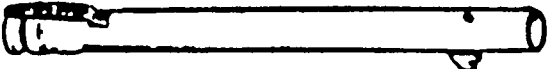
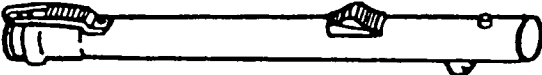
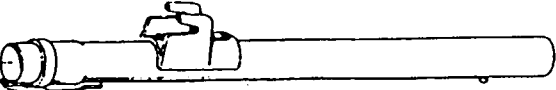
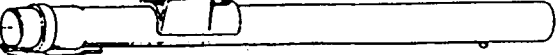

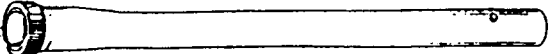
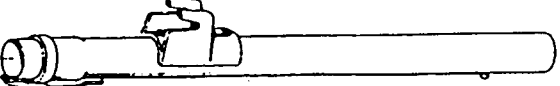
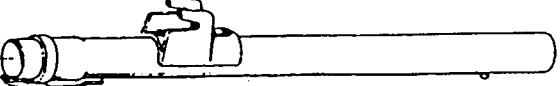
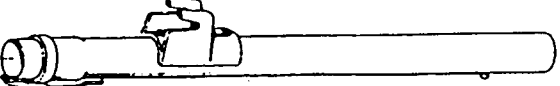
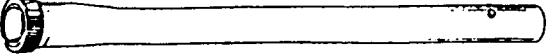
Hose Assembly - PowerMAX
Hose Assembly - WindTunnel Ultra Canister

Model S3611, S3615, S3620
Model S3649, S3655, S3661



Ref. No.	Part No.	Description
	43433119	Hose Assem. 3W (Replaced 43433115)
2	36153038	Hose Release Latch
3	39461016	Hose Grip - RH - ABR
	39461018	Hose Grip - RH - AG - S3620, S3655, S3661
4	21447124	+* Screw - Self Tapping (4)
5	27613002	Splice (3)
	31712006	* Insulating Sleeve (3)
6	36131087	Retaining Ring - ABR
7	18972	Insulated Terminal
8	36913030	* Insulator
9	28267001	Switch
10	39461015	Hose Grip - LH - ABR
	39461017	Hose Grip - LH - AG - S3620, S3655, S3661
11	47551014	+ Grip Control Panel Assem. (incl. Items 9,12)
	51438003	Nameplate - Grip Control Panel
12	38421041	+ Button - AAU
13	36153029	Latch Ring - AG
14	38646034	Inner Tube - AG
15	46526004	Connector
16	36152029	Plug Latch - AG
	40300052	Cord Repair Kit - 3W

Cleaning Tools - Futura, Spectrum, Dimension, WindTunnel

	38617017	Crevice Tool - AG
	43414057	Furniture Nozzle - AG
	43414141	Furniture Nozzle - ABR
	43414064	Dusting Brush - AG
	38644020	Swivel Connector - AG
	38644040	Swivel Connector - AAP
	43414073	Floor Brush - AG
	48447001	+ Brush Back
	36172584	Cord/Wand Clip
	43453052	Ext. Tube - 20 - AX
	43453027	Ext. Tube
	43453058	+ Ext. Tube - BL 20 w/o Cord Clip
	43453023	Ext. Tube - AX 20
	43453095	Ext. Tube - AX 20 (Black Storage Clip) (Spectrum)
	43453098	Ext. Tube - AX 20 (Gray Storage Clip) (Futura)
	43453099	Ext. Tube - AX 20 (Black Storage Clip) (WindTunnel Canister)
	3863801P	Extension Tube - Poly - AG