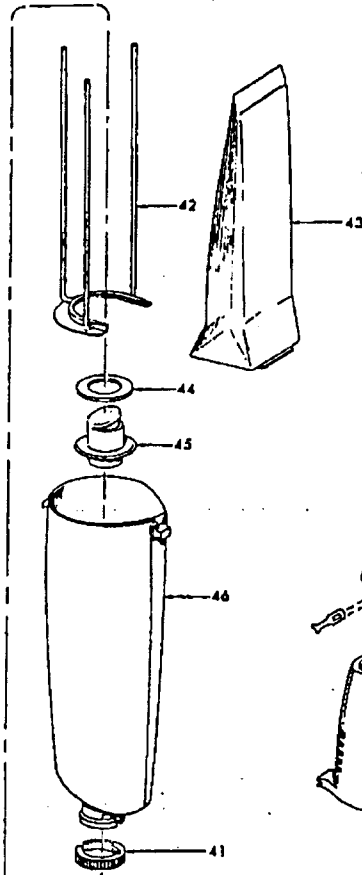
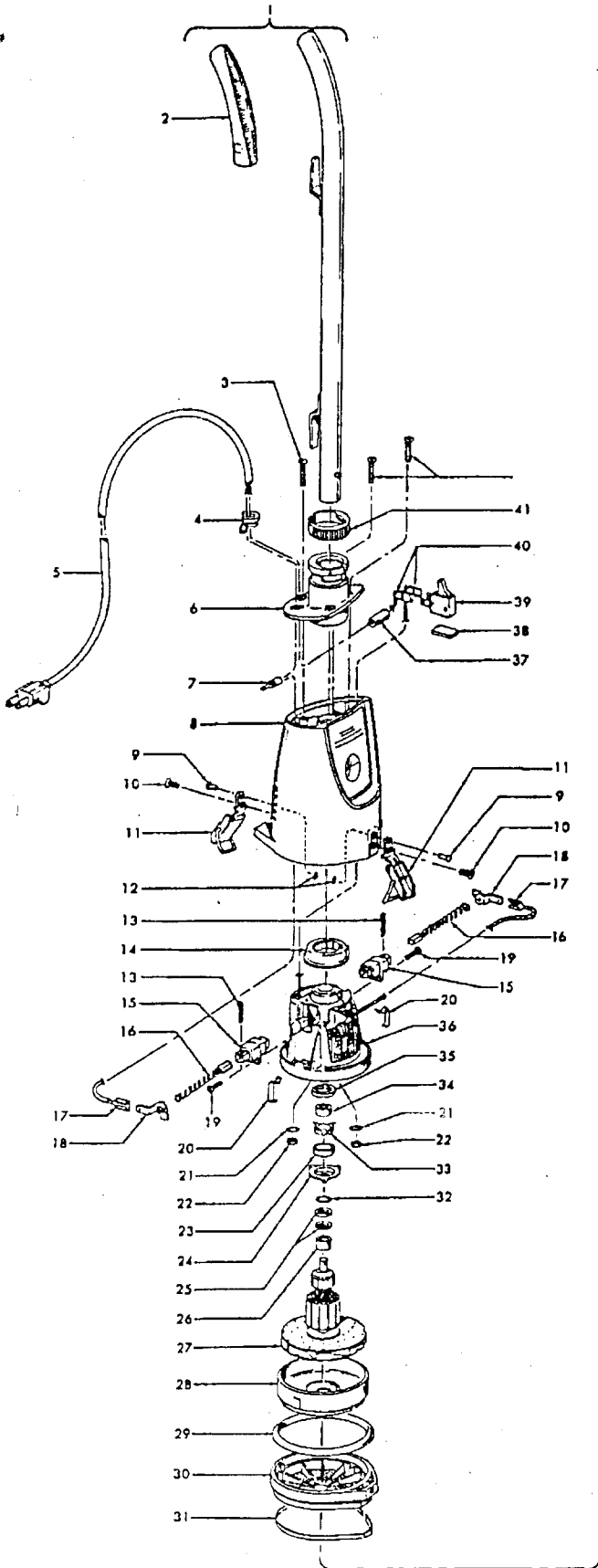
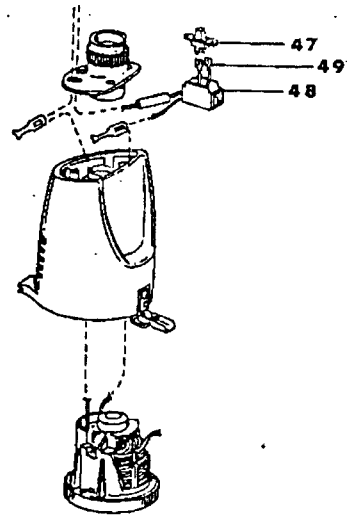


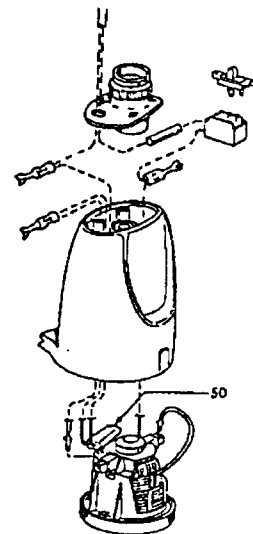
Models 2900, 2901, 2904, 2910, 2911, 2941, 2950, 2960,
2980, S2003, S2005, S2007, S2011, S2013, S2015, S2085



ONE SPEED - SLIDE SWITCH
LATE S2015's



LATE MODEL S2015's
W/THERMAL PROTECTOR

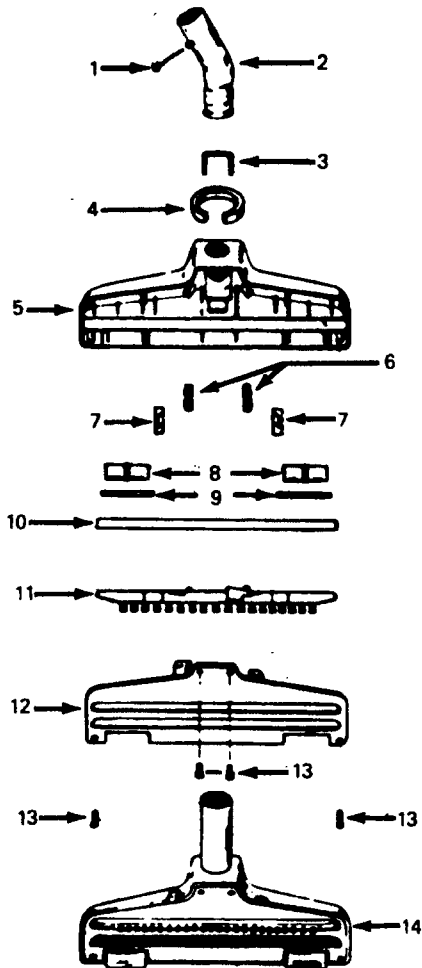


**Models 2900, 2901, 2910, 2911, 2941, 2950, 2960,
2980, S2003, S2005, S2007, S2011, S2013, S2015, S2085**

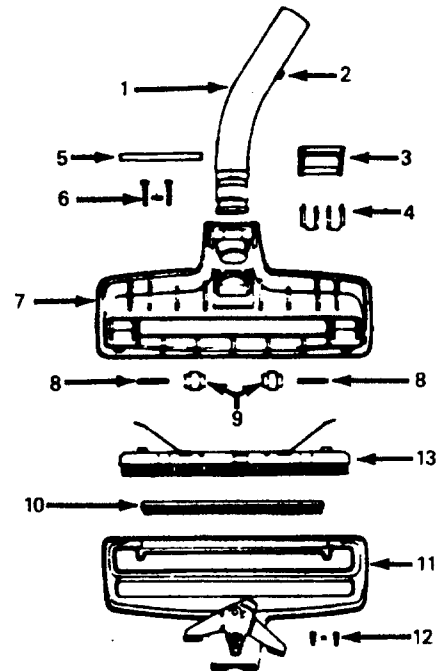
Ref. No.	Part No.	Description	Ref. No.	Part No.	Description
1	15665LL	+ Handle - 2900, 2901, 2904, 2910, 2911, 2950	32	21312719	+* Washer
	161412LL	+ Handle - 2941	33	15851	+* Bearing Retainer
	161412DM	+ Handle - 2960	34	24117209	+ Bearing
	166791EK	+ Handle - 2980	35	15295	* Felt Washer
	48646008	Handle - S2003, S2005	36	15272	+ Mtr. Casing & Field Assm. (Used on the following Models until 6/72 - 2900, 2901, 2904, 2910, 2911, 2941, 2950, 2960, 2980) Toggle Switch
	48645023	Handle - S2007		45312021	Mtr. Casing & field Assm.- Toggle Switch
	48646012	+ Handle - S2011		45312055	Mtr. Casing & Field Assm. Model S2015 's equipped w/Slide Switch
2	48643084	Handle - S2015, S2013, S2085		45312033	+ Motor Case & Field Assm. - S2085
	12230JM	+ Handle Grip -S2003, S2005, S2011, S2013	37	31722007	* Insulator
	12230DS	+ Handle Grip	38	15317	+* Switch Pad (Toggle Switch)
3	15738EF	+* Screw (3)	39	12971	Switch (Toggle)
4	12226	+ Strain Relief Bushing	40	161350	+* Terminal (2) - Toggle Switch
	163768	Strain Relief -S2011, S2013, S2015, S2085	41	36153009	Latch Ring
5	46383068	Attach. Cord	42	15650	Bag Support - Long - 2900, 2941, 2950, 2960, 2980, S2003, S2005, S2011, S2013
6	42227070	+ Closure Plate - Common - One Speed Toggle Switch		15327	+ Bag Support - Short -2901, 2904, 2910, 2911, S2007, S2015, S2085
	42227098	Closure Plate/Latch Ring - One Speed Model S2015 's equipped w/Slide Switch	43	4010007F	Throw Away Bag - 3 Pack - Long
	42227090	Closure Plate/Latch Ring - S2085		4010008G	Throw Away Bag - 3 Pack - Short
7	48969	* Wire Nut	44	17295	+ Bag Sealing Collar
8	42222057	+ Motor Housing - 2900, 2911, 2941, 2960, 2980, S2003, S2005	45	15311JM	+ Bag Gasket
	161252JM	+ Motor Housing - 2901, 2904, 2910, S2007	46	18351JM	+ Bag Housing - Short - 2901, 2904, 2910, 2911, S2015, S2085
	162909AR	+ Motor Housing - 2950		164538DR	+ Bag Housing - Short - S2007
	42221011	Motor Housing - CD - S2011		15652LL	+ Bag Housing - Long - 2900, 2941, 2960
	42221021	+ Motor Housing - DS - S2013		163163DS	+ Bag Housing - Long - S2013
	42221073	+ Motor Housing w/Thermal Protector -S2015		163753LL	+ Bag Housing - Long - 2950
	42222149	Motor Housing w/Thermal Protector -S2085		166787EK	+ Bag Housing - Long - 2980
9	16195	+* Rivet (2)		42223007	+ Bag Housing - CD - S2003, S2011
10	12954	* Screw (2)		42223011	+ Bag Housing - Long - S2005
11	15331AY	Latch (2)	47	28177005	+ Switch (Slide) - Late Model S2015 's
12	161549	+ Washer (2)		47517014	Switch w/Diode - S2085
	21312758	+* Washer (2) - S2085	48	37922002	Terminal Shield - Late Model S2015 's, S2085
13	49435	+* Cotter Pin (2) NA. on Model S2015 's equipped w/Slide Switch & Model S2085	49	27666702	* Terminal - Late Model S2015 's, S2085
14	15316	+ Motor Mount	50	28382028	Thermal Protector - Late Model S2015 's, S2085
15	15275AG	+ Brush Holder (2)		ITEMS NOT ILLUSTRATED	
	161749AG	+ Brush Holder (2) Model S2015 's equipped w/Slide Switch; S2085		17457	+ Bag Comp. - Cloth (Incl. 17209)
16	17353	Motor Brush & Spring (2)		17209	+ Bag Collar - Cloth Bag
	47311004	Mtr. Brush & Spring (2) Model S2015 's equipped w/Slide Switch; S2085		161336	+ Cloth Bag
17	12227	Terminal (2)		12763AW	* Rivet (Handle)
	161876	+ Terminal (2) Model S2015 's equipped w/Slide Switch; S2085		16547	+ Medallion
18	15894	+* Mtr Brush Retainer (2) N/A on Model S2015 's equipped w/Slide Switch & model S2085		163418AW	+ Stand - 2950
19	162911	+ Screw (2)		163435AY	+ Cap (Use w/163418AW) - 2950
20	163416	Clip (2)		15997	Secondary Filter
	15744	+ Clip (2) (Used on the following Models until 6/72 - 2900, 2901, 2904, 2910, 2911, 2941, 2950, 2960, 2980)		168317	+* Screw (Use w/17094 Motor Shield & 15272 Motor Casing/Field)
21	21312759	+* Washer (2)		17094	+ Motor Shield (Use w/15272 Motor Casing/Field)
22	162910	+* Nut (2)		43576019	+ Motor Assm. Comp. - Single Speed - Toggle Switch
23	12012	+* Absorbent Washer		43576051	Motor Assm. Comp. - Single Speed - Model S2015 's equipped w/Slide Switch
24	15850	+ Bearing Retainer Support		43576021	+ Motor Assm. Comp. - Two Speed - S2085
25	15278	* Fiber Washer (2)			
26	49344	+* Insulator			
	31148006	Spacer - S2085			
27	44731003	Armature & Fan Assm.			
28	15293	+ Fan Hsg. & Brg. Assm. (Used on the following Models until 6/72 - 2900, 2901, 2904, 2910, 2911, 2941, 2950, 2960, 2980)			
	163441	Fan Housing & Bearing Assm.			
29	15315	+ Motor Gasket			
30	15326BZ	+ Bulkhead (Req. Secondary Filter 15997)			
	19586AG	+ Bulkhead - 2904, 2910 (Req. Secondary Filter 15997)			
	166116AG	+ Bulkhead - S2003, S2005, S2007, S2011, S2013, S2015, S2085			
31	15330	+ Bag Housing Gasket			

Rug & Floor Nozzle

Models 2900, 2901, 2904, 2911, 2941
2950, 2951, 2960, 2970, 2980

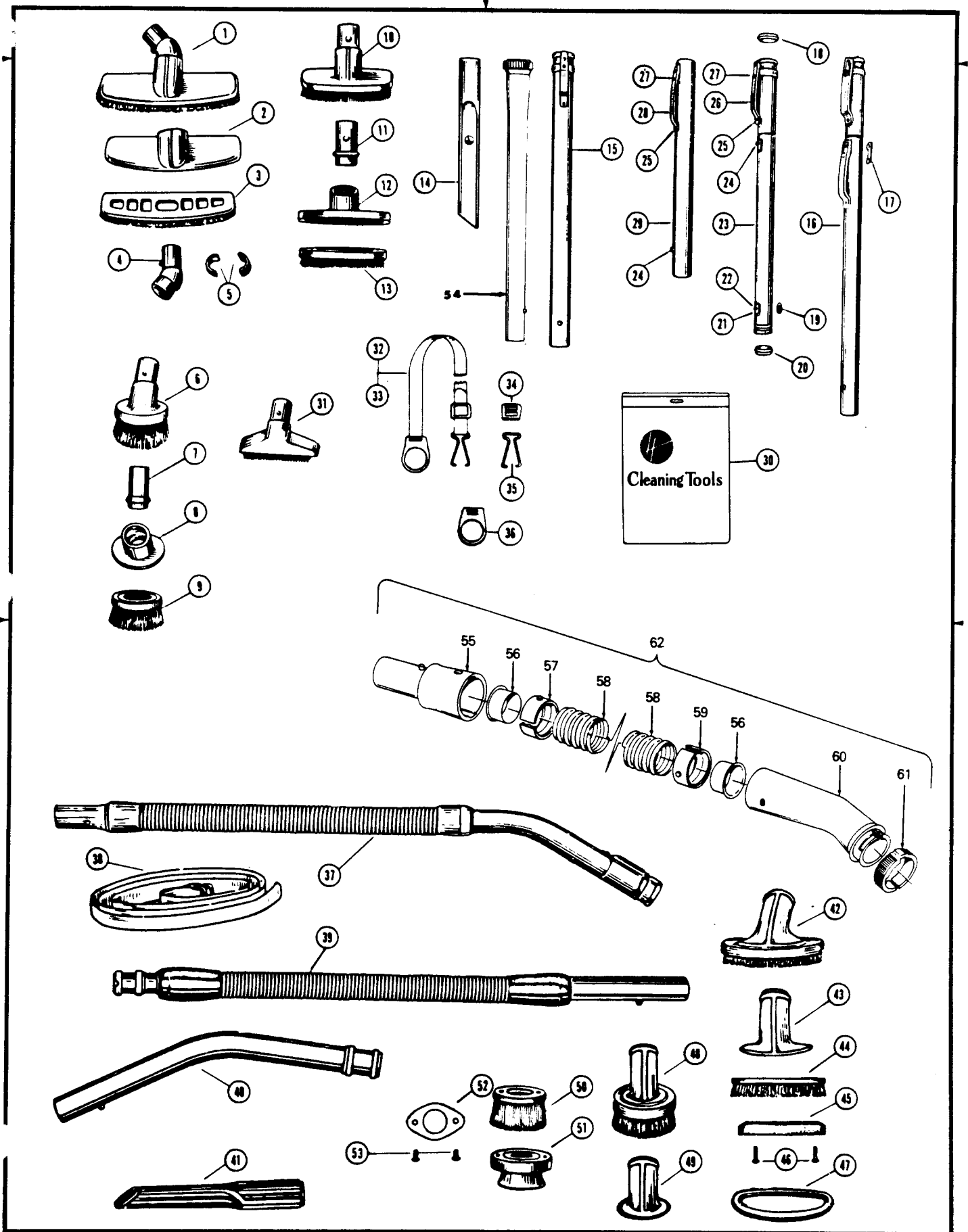


Models 2901 - 2904



Ref. No.	Part No.	Description
1	12763AW	* Rivet
2	16269JM	Nozzle Connecting Tube
3	161413	+* Nozzle Tube Retainer
4	13267	+* Gasket
	16252LL	+ Rug & Floor Nozzle
	38615031	+ Nozzle - Edge Cleaning
6	15963FW	+ Spring
7	13261AY	* Rib Shoe
8	13157AG	+ Roller
9	13272	+ Roller Shaft
10	16214	+ Gasket
11	16184	Brush Back Assm.
12	42246002	+ Bottom Plate
13	12955	* Screw
14	43414101	+ Rug & Floor Nozzle Comp.

Ref. No.	Part No.	Description
	659579A	+ Rug & Floor Nozzle Assm.
1	16269JM	Connector Tube
2	162331	+ Rivet
3	612929	+ Tube Retainer
4	714249	+ Shoe
5	13267	+* Gasket
6	808537	+* Screw
7	652533LL	+ Nozzle
8	815368	+* Pin
9	815367	+ Roller
10	714232	+ Litter Picker
11	604477	+ Bottom Plate Assm.
12	907736	+* Screw
13	714256	+ Brush Back Assm.



Cleaning Tools & Hose Assembly

Hand & Stick Cleaners

Ref. No.	Part No.	Description	Ref. No.	Part No.	Description
1	13077JM	+ Bare Floor Brush	28	36152018	Tube Latch - Outer
	43414073	Floor Brush Assm.	30	58544004	+ Cleaning Tool Bag
	13155JM	+ Floor Brush Nozzle & Brush Assm. (Use w/ 3077J M)	31	43414057	Furniture Nozzle Assm.
3	13253AG	+ Floor Brush Face	32	15671JM	Carrying Strap Comp.
4	13154JM	+ Floor Brush Swivel & Collar (Use w/13077JM)	33	15667DM	+ Carrying Strap
	38644040	Swivel Connector (Use w/48473025)		15667HH	+ Carrying Strap
5	13276	Floor Brush Swivel Bushing (Use w/13154JM)		15667A	+ Carrying Strap
	33712007	Split Ring (Use w/38644040)	34	15668	+* Strap Buckle
6	161851JM	+ Dusting Brush	35	15670	Strap Hook
	43414064	Dusting Brush (One Piece)	36	15669JM	Strap Ring
7	13149JM	Nozzle Connector Tube (Use w/161851JM)	37	15584JM	+ Hose Comp.
8	13150LL	+ Dusting Brush Nozzle (Use w/161851JM)	38	48398A	+ Carrying Strap - 1001, 1002
	13263BZ	+ Brush (Use w/ 61851 JM)	39	22930	+ Hose Comp. - 1001, 1002
10	161852JM	+ Furniture Brush	40	34404	+ Extension Tube Curved
	43414016	Furniture Brush - AG	41	34547	+ Crevice Tool
11	13149JM	Connector Tube (Use w/161852JM)	42	34544A	+ Furniture Brush Comp.
12	161852JM	+ Furniture Brush Comp.	43	20486A	+ Furniture Brush Nozzle
13	13254BZ	+ Brush (Used w/161852JM)	44	31598	+ Furniture Brush Back
14	38617017	Crevice Tool	45	20493	+ Furniture Brush Support
15	43453027	Extension Tube (Aluminum)	46	47151	+* Screws
16	43458001	Extension Tube Comp.	47	34542T	+ Furniture Brush Guard
17	12589	Tube Guide	48	47672A	+ Dusting Brush Comp.
18	112845JM	+ Gasket - Outer	49	20483	+ Dusting Brush Nozzle
19	21312704	* Washer	50	31599	+ Dusting Brush Back
20	12844JM	+ Gasket - Inner	51	22762	+ Dusting Brush Guard
21	12824	+* Reinforcement Plate	52	44503	+ Skirt Retainer
22	12600	* Rivet	53	48963	+* Screws
23	12598	+ Extension Tube - Inner	54	3863801P	Extension Tube (Polystyrene)
24	12763AW	Rivet	55	38634054	Hose Connector
25	12783	+* Rivet	56	32156010	Hose Sleeve (2)
26	12846AG	Tube Latch - Inner	57	12615BZ	Hose Connector Collar
27	12772	+* Rivet	58	43431174	+ Hose
			59	36116006	Hose Connector Collar
			60	43466055	+ Hose Connector
			61	36153009	Latch Ring
			62	43434206	+ Cleaning Tool Hose Assm. Comp.