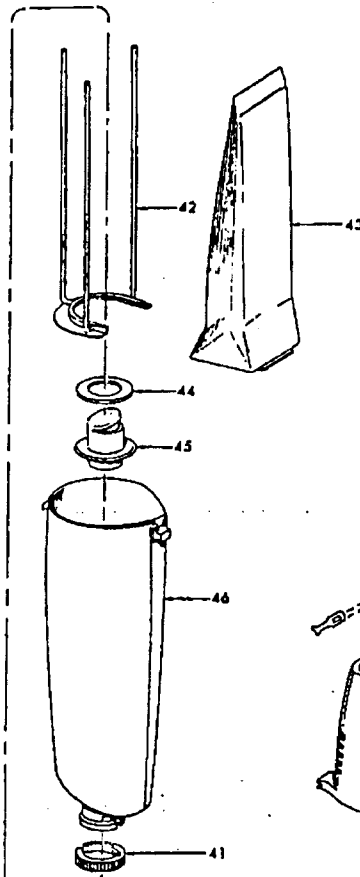
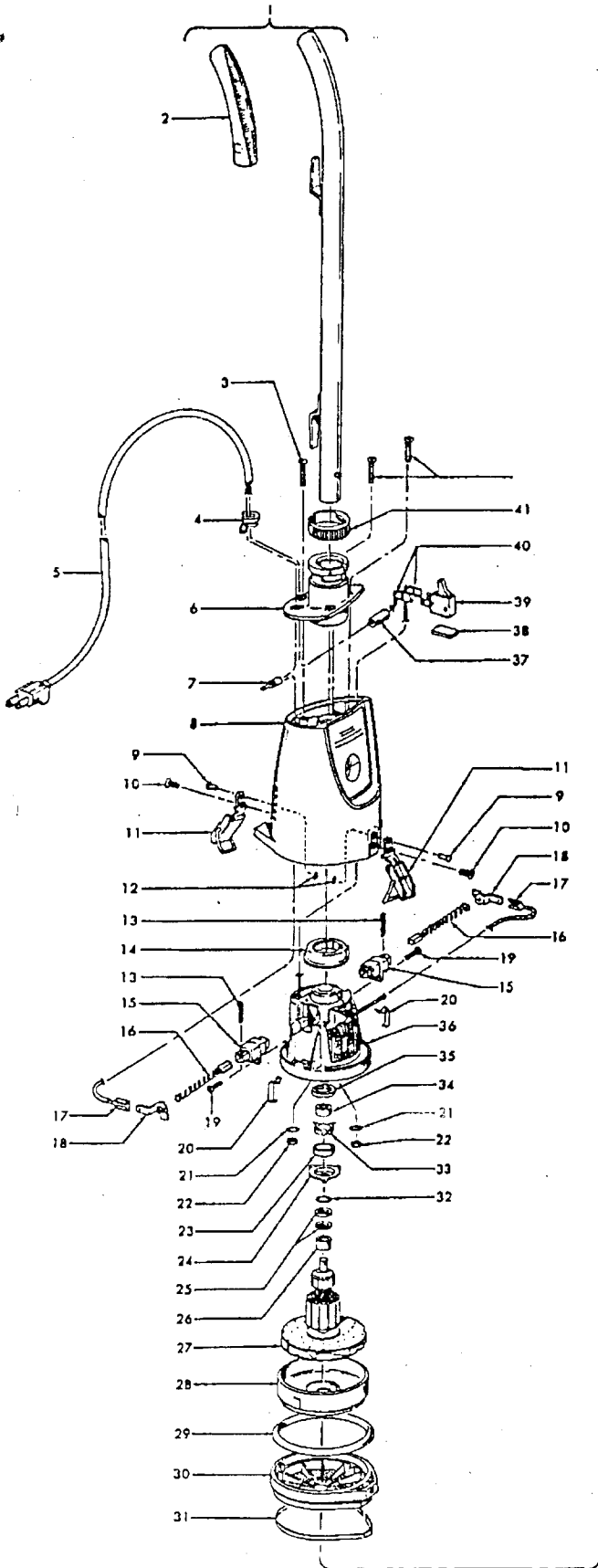
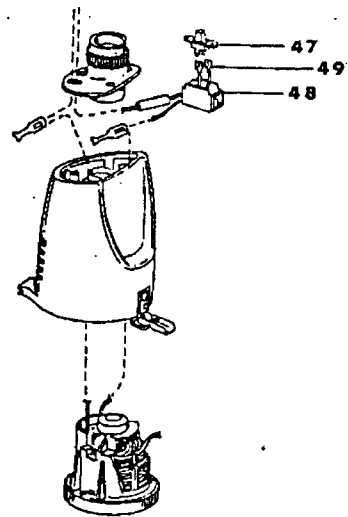


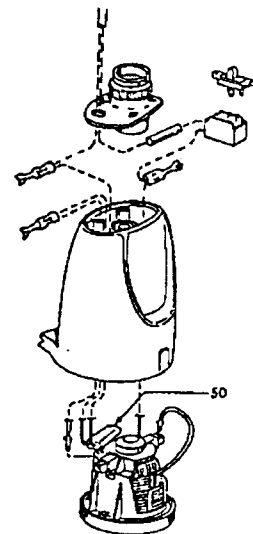
Models 2900, 2901, 2904, 2910, 2911, 2941, 2950, 2960,
2980, S2003, S2005, S2007, S2011, S2013, S2015, S2085



ONE SPEED - SLIDE SWITCH
LATE S2015's



LATE MODEL S2015's
W/THERMAL PROTECTOR

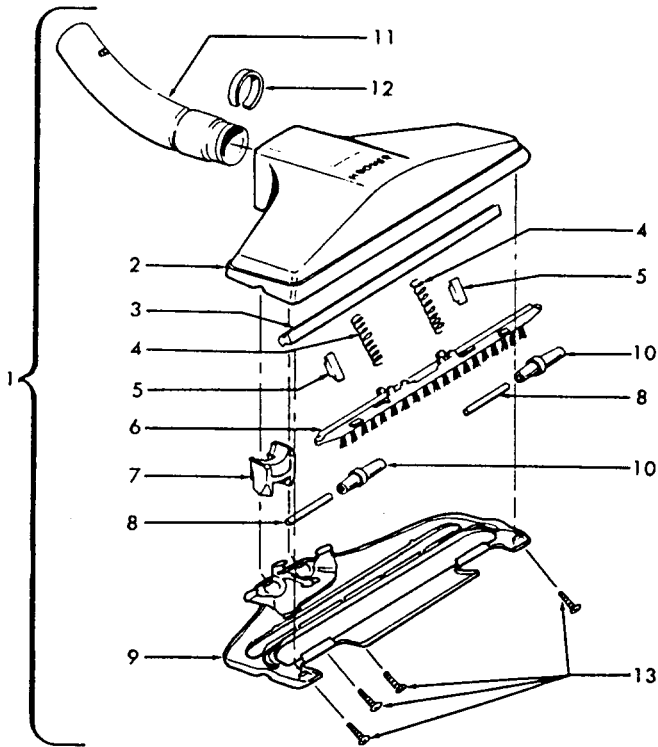


**Models 2900, 2901, 2910, 2911, 2941, 2950, 2960,
2980, S2003, S2005, S2007, S2011, S2013, S2015, S2085**

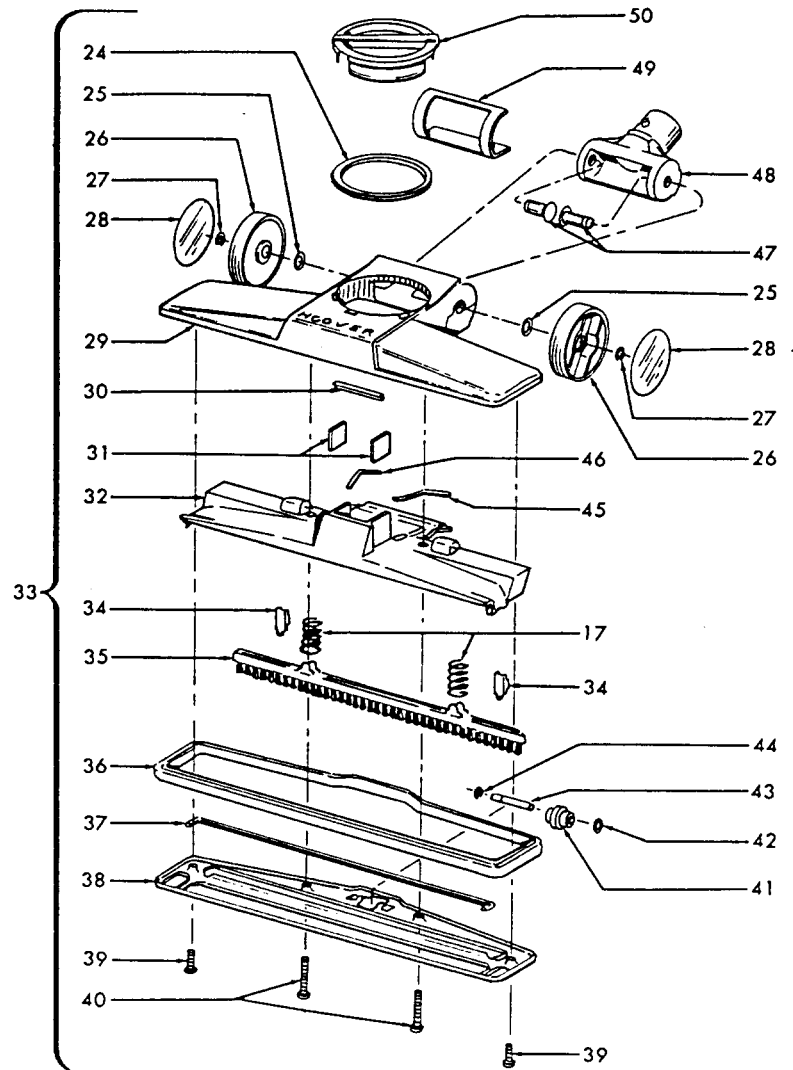
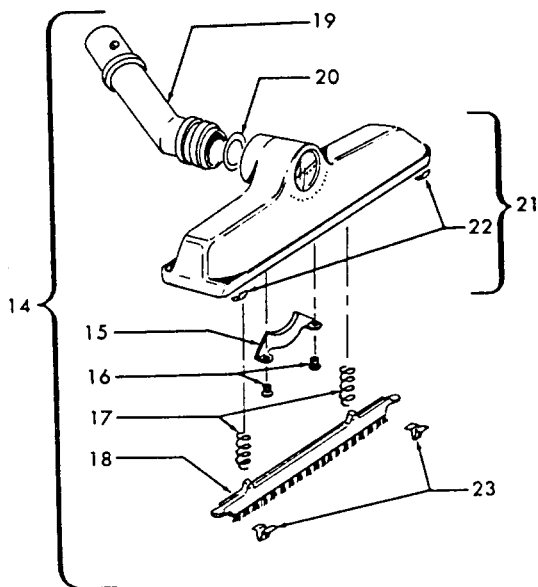
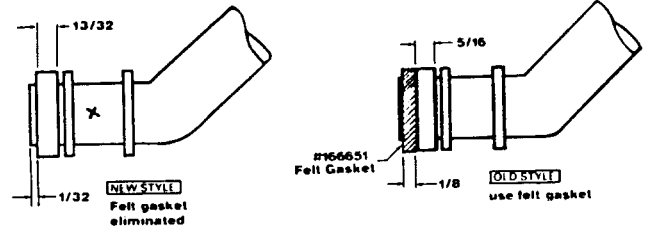
Ref. No.	Part No.	Description	Ref. No.	Part No.	Description
1	15665LL	+ Handle - 2900, 2901, 2904, 2910, 2911, 2950	32	21312719	+* Washer
	161412LL	+ Handle - 2941	33	15851	+* Bearing Retainer
	161412DM	+ Handle - 2960	34	24117209	+ Bearing
	166791EK	+ Handle - 2980	35	15295	* Felt Washer
	48646008	Handle - S2003, S2005	36	15272	+ Mtr. Casing & Field Assm. (Used on the following Models until 6/72 - 2900, 2901, 2904, 2910, 2911, 2941, 2950, 2960, 2980) Toggle Switch
	48645023	Handle - S2007		45312021	Mtr. Casing & field Assm.- Toggle Switch
	48646012	+ Handle - S2011		45312055	Mtr. Casing & Field Assm. Model S2015 's equipped w/Slide Switch
2	48643084	Handle - S2015, S2013, S2085		45312033	+ Motor Case & Field Assm. - S2085
	12230JM	+ Handle Grip -S2003, S2005, S2011, S2013	37	31722007	* Insulator
	12230DS	+ Handle Grip	38	15317	+* Switch Pad (Toggle Switch)
3	15738EF	+* Screw (3)	39	12971	Switch (Toggle)
4	12226	+ Strain Relief Bushing	40	161350	+* Terminal (2) - Toggle Switch
	163768	Strain Relief -S2011, S2013, S2015, S2085	41	36153009	Latch Ring
5	46383068	Attach. Cord	42	15650	Bag Support - Long - 2900, 2941, 2950, 2960, 2980, S2003, S2005, S2011, S2013
6	42227070	+ Closure Plate - Common - One Speed Toggle Switch		15327	+ Bag Support - Short -2901, 2904, 2910, 2911, S2007, S2015, S2085
	42227098	Closure Plate/Latch Ring - One Speed Model S2015 's equipped w/Slide Switch	43	4010007F	Throw Away Bag - 3 Pack - Long
	42227090	Closure Plate/Latch Ring - S2085		4010008G	Throw Away Bag - 3 Pack - Short
7	48969	* Wire Nut	44	17295	+ Bag Sealing Collar
8	42222057	+ Motor Housing - 2900, 2911, 2941, 2960, 2980, S2003, S2005	45	15311JM	+ Bag Gasket
	161252JM	+ Motor Housing - 2901, 2904, 2910, S2007	46	18351JM	+ Bag Housing - Short - 2901, 2904, 2910, 2911, S2015, S2085
	162909AR	+ Motor Housing - 2950		164538DR	+ Bag Housing - Short - S2007
	42221011	Motor Housing - CD - S2011		15652LL	+ Bag Housing - Long - 2900, 2941, 2960
	42221021	+ Motor Housing - DS - S2013		163163DS	+ Bag Housing - Long - S2013
	42221073	+ Motor Housing w/Thermal Protector -S2015		163753LL	+ Bag Housing - Long - 2950
	42222149	Motor Housing w/Thermal Protector -S2085		166787EK	+ Bag Housing - Long - 2980
9	16195	+* Rivet (2)		42223007	+ Bag Housing - CD - S2003, S2011
10	12954	* Screw (2)		42223011	+ Bag Housing - Long - S2005
11	15331AY	Latch (2)	47	28177005	+ Switch (Slide) - Late Model S2015 's
12	161549	+ Washer (2)		47517014	Switch w/Diode - S2085
	21312758	+* Washer (2) - S2085	48	37922002	Terminal Shield - Late Model S2015 's, S2085
13	49435	+* Cotter Pin (2) NA. on Model S2015 's equipped w/Slide Switch & Model S2085	49	27666702	* Terminal - Late Model S2015 's, S2085
14	15316	+ Motor Mount	50	28382028	Thermal Protector - Late Model S2015 's, S2085
15	15275AG	+ Brush Holder (2)		ITEMS NOT ILLUSTRATED	
	161749AG	+ Brush Holder (2) Model S2015 's equipped w/Slide Switch; S2085		17457	+ Bag Comp. - Cloth (Incl. 17209)
16	17353	Motor Brush & Spring (2)		17209	+ Bag Collar - Cloth Bag
	47311004	Mtr. Brush & Spring (2) Model S2015 's equipped w/Slide Switch; S2085		161336	+ Cloth Bag
17	12227	Terminal (2)		12763AW	* Rivet (Handle)
	161876	+ Terminal (2) Model S2015 's equipped w/Slide Switch; S2085		16547	+ Medallion
18	15894	+* Mtr Brush Retainer (2) N/A on Model S2015 's equipped w/Slide Switch & model S2085		163418AW	+ Stand - 2950
19	162911	+ Screw (2)		163435AY	+ Cap (Use w/163418AW) - 2950
20	163416	Clip (2)		15997	Secondary Filter
	15744	+ Clip (2) (Used on the following Models until 6/72 - 2900, 2901, 2904, 2910, 2911, 2941, 2950, 2960, 2980)		168317	+* Screw (Use w/17094 Motor Shield & 15272 Motor Casing/Field)
21	21312759	+* Washer (2)		17094	+ Motor Shield (Use w/15272 Motor Casing/Field)
22	162910	+* Nut (2)		43576019	+ Motor Assm. Comp. - Single Speed - Toggle Switch
23	12012	+* Absorbent Washer		43576051	Motor Assm. Comp. - Single Speed - Model S2015 's equipped w/Slide Switch
24	15850	+ Bearing Retainer Support		43576021	+ Motor Assm. Comp. - Two Speed - S2085
25	15278	* Fiber Washer (2)			
26	49344	+* Insulator			
	31148006	Spacer - S2085			
27	44731003	Armature & Fan Assm.			
28	15293	+ Fan Hsg. & Brg. Assm. (Used on the following Models until 6/72 - 2900, 2901, 2904, 2910, 2911, 2941, 2950, 2960, 2980)			
	163441	Fan Housing & Bearing Assm.			
29	15315	+ Motor Gasket			
30	15326BZ	+ Bulkhead (Req. Secondary Filter 15997)			
	19586AG	+ Bulkhead - 2904, 2910 (Req. Secondary Filter 15997)			
	166116AG	+ Bulkhead - S2003, S2005, S2007, S2011, S2013, S2015, S2085			
31	15330	+ Bag Housing Gasket			

Rug & Floor Nozzle

Models 2910, S2005, S2007, S1021, S1021-030, S2013, S2015, S2029, S2031, S2033, S2047, S2053, S2053-032, S2053-042, S2053-942, S2055, S2057, S2085



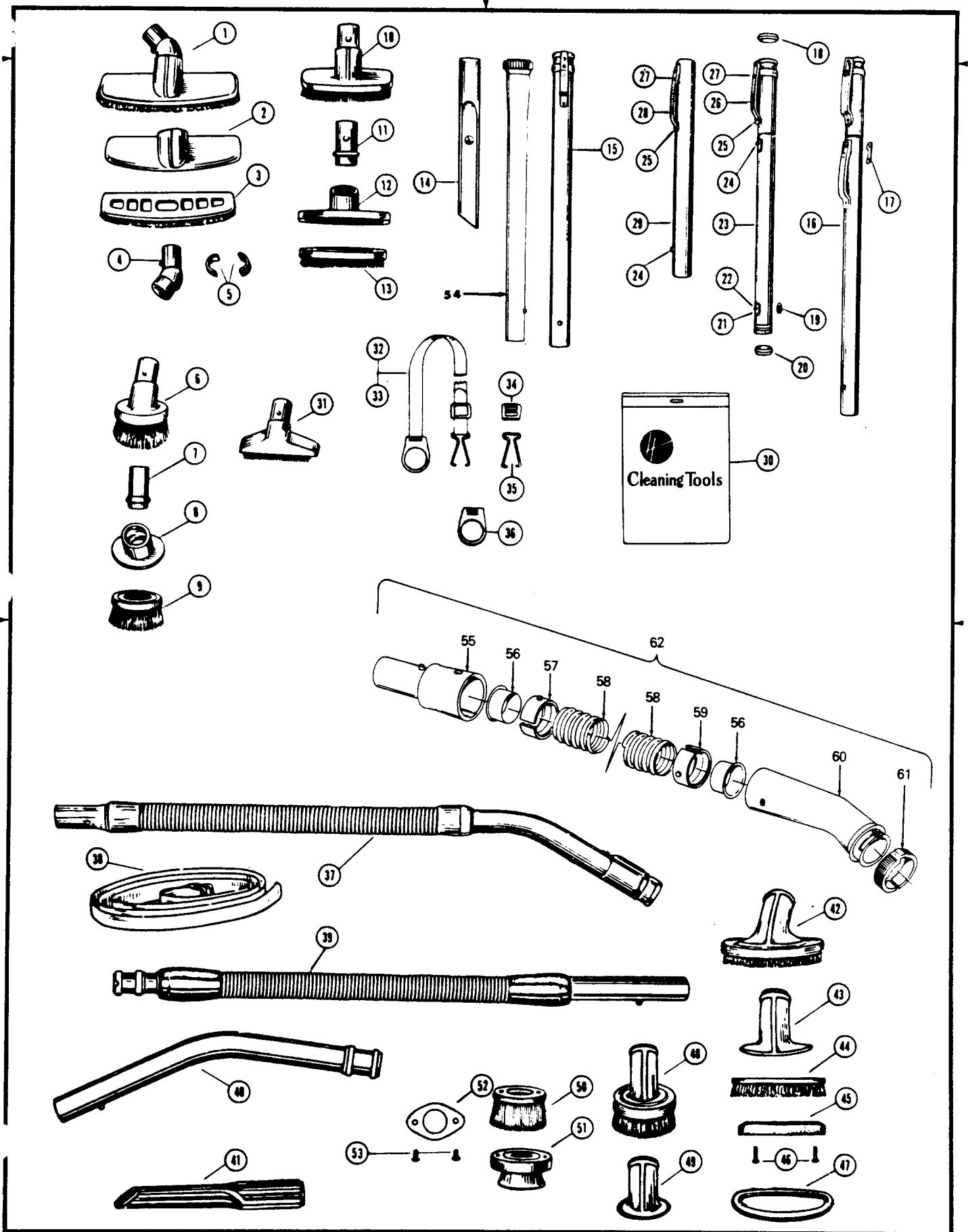
"NOTE"
ITEM 19



Rug & Floor Nozzle

Models 2910, S2005, S2007, S1021, S1021-030, S2013, S2015, S2029, S2031, S2033, S2047, S2053, S2053-032, S2053-042, S2053-942, S2055, S2057, S2085

Ref.	Part Description	No.	No.	Ref.	Part Description	No.	No.
1	43414101	+	Rug & Floor Nozzle Comp. - AAP - S2031	29	38615101		Rug & Floor Nozzle - S2029, S2053, S2055
2	38615156		Nozzle - JM - S2031		169260FN	+	Rug & Floor Nozzle
3	16214	+	Gasket - S2031		38615164		Rug & Floor Nozzle - S2053-042, S2053-942
4	15963FW	+	Spring (2) - S2031			*	Seal - Foam - S2029, S2053, S2053-042, S2053-942, S2055
5	13261AY	*	Rug Nozzle Rib Shoe (2) - S2031	30	34112001		Seal - Felt (2) - S2029, S2053, S2053-042, S2053-942, S2055
6	16184		Brush Back Assm. - S2031			+	Brush Housing - S2029, S2053, S2053-042, S2053-942, S2055
7	161413	++	Nozzle Tube Retainer - S2031	31	34223002		Rug & Floor Nozzle Comp. - AAP - S2029, S2053
8	13272	+	Roller Shaft (2) - S2031			+	Rug & Floor Nozzle Comp. - JZ
9	42246002	+	Bottom Plate - Edge Cleaning - S2031	32	169250AG		Rug & Floor Nozzle Comp. -FN S2055
10	13157AG		Roller (2) - S2031			+	Rug & Floor Nozzle Comp. - MX - S2053-042, S2053-942
11	43463012	+	Nozzle Connector Tube - JM - S2031	33	43414101		Rib Shoe (2) - S2029, S2053, S2053-042, S2053-942, S2055
12	13267	++	Gasket - S2031			+	Brush Back Comp. - S2029, S2053, S2053-042, S2053-942, S2055
13	12955	*	Screw - Self Tapping (4) - S2031		48476053		Furniture Guard - Litter Picker
14	0M114169		Rug & Floor Nozzle Comp. - ABE - 2910, S2005, S2007, S1021, S1021-030, S2013, S2015, S2033, S2047, S2053-032, S2057, S2085		48476054		Furniture Guard - Litter Picker
15	166650AY	+	Connector Tube Clamp - 2910, S2005, S2007, S1021, S1021-030, S2013, S2015, S2033, S2047, S2053-032, S2057, S2085	34	169253AY		Gasket - S2029, S2053, S2053-042, S2055
16	166648AW	+	Screw - Self Tapping (2) -2910, S2005, S2007, S1021, S1021-030, S2013, S2015, S2033, S2047, S2053-032, S2057, S2085	35	169256		Bottom Plate Assm. - S2029, S2053, S2053-042, S2053-942, S2055
17	166649FW		Spring (2) - 2019, S2005, S2007, S1021, S1021-030, S2013, S2015, S2029, S2033, S2047, S2053-032, S2057, S2085	36	169247JM	+	Washer - S2029, S2053, S2053-042, S2053-942, S2055
18	166656		Brush Block - 2910, S2005, S2007, S1021, S1021-030, S2013, S2015, S2033, S2047, S2053-032, S2057, S2085	37	169251		Roller Shaft - S2029, S2053, S2053-042, S2053-942, S2055
19	166652JM		Nozzle Tube - 2910, S2005, S2007, S1021, S1021-030, S2013, S2015, S2033, S2047, S2057 (See Note)	38	169538	+	Screw (2) - S2029, S2053, S2053-042, S2053-942, S2055
20	166651		Gasket - Felt - 2910, S2005, S2007, S1021, S1021-030, S2013, S2015, S2033, S2047, S2057	39	21481464	+	Screw (2) - S2029, S2053, S2053-042, S2053-942, S2055
21	43482057	+	Nozzle, Lock, Pad Assm. - 2910, S2005, S2007, S1021, S1021-030, S2013, S2015, S2033, S2047, S2053-032, S2057, S2085	40	21481465	+	Screw (2) - S2029, S2053, S2053-042, S2053-942, S2055
22	34121001		Pad - Felt (2) - 2910, S2005, S2007, S1021, S1021-030, S2013, S2015, S2033, S2047, S2053-032, S2057, S2085	41	169243AG		Roller - S2029, S2053, S2053-042, S2053-942, S2055
23	166646		Brush Retainer Clips (2) - 2910, S2005, S2007, S1021, S1021-030, S2013, S2015, S2033, S2053-032, S2047, S2085	42	21312758	++	Washer - S2029, S2053, S2053-042, S2053-942, S2055
24	34113001	+	Seal-Foam -S2029, S2053, S2055	43	169244AW		Roller Shaft - S2029, S2053, S2053-042, S2053-942, S2055
25	169241AW	*	Washer (2) - S2029, S2053, S2053-042, S2053-942, S2055	44	24735081	*	Lock Ring - S2029, S2053, S2053-042, S2053-942, S2055
26	169239JR 169239AG	+	Wheel (2) - S2029 Wheel - S2053, S2053-042, S2053-942, S2055	45	34513001		Seal - Foam L.H. - S2029, S2053, S2053-042, S2053-942, S2055
27	13730	*	Lock Ring (2) - S2029, S2053, S2053-042, S2053-942, S2055	46	34513002		Seal - Foam R.H. - S2029, S2053, S2053-042, S2053-942, S2055
28	169242		Wheel Cover (2) - S2029, S2053, S2053-042, S2053-942, S2055	47	169240AY	+	Wheel Shaft (2) - S2029, S2053, S2053-042, S2053-942, S2055
				48	169249JM	+	Connecting Tube Assm. - S2029, S2053-042, S2053-942, S2055
				49	43486002	+	Connecting Tube Assm. - S2053
					34122006	+	Seal - S2029, S2053, S2053-042, S2053-942, S2055
				50	43271042	+	Suction Control Knob - JX - S2055
					169254JM	+	Suction Control Knob - S2029, S2053, S2053-042, S2053-942



Cleaning Tools & Hose Assembly

Hand & Stick Cleaners

Ref. No.	Part No.	Description	Ref. No.	Part No.	Description
1	13077JM	+ Bare Floor Brush	28	36152018	Tube Latch - Outer
	43414073	Floor Brush Assm.	30	58544004	+ Cleaning Tool Bag
	13155JM	+ Floor Brush Nozzle & Brush Assm. (Use w/ 3077J M)	31	43414057	Furniture Nozzle Assm.
3	13253AG	+ Floor Brush Face	32	15671JM	Carrying Strap Comp.
4	13154JM	+ Floor Brush Swivel & Collar (Use w/13077JM)	33	15667DM	+ Carrying Strap
	38644040	Swivel Connector (Use w/48473025)		15667HH	+ Carrying Strap
5	13276	Floor Brush Swivel Bushing (Use w/13154JM)		15667A	+ Carrying Strap
	33712007	Split Ring (Use w/38644040)	34	15668	+* Strap Buckle
6	161851JM	+ Dusting Brush	35	15670	Strap Hook
	43414064	Dusting Brush (One Piece)	36	15669JM	Strap Ring
7	13149JM	Nozzle Connector Tube (Use w/161851JM)	37	15584JM	+ Hose Comp.
8	13150LL	+ Dusting Brush Nozzle (Use w/161851JM)	38	48398A	+ Carrying Strap - 1001, 1002
	13263BZ	+ Brush (Use w/ 61851 JM)	39	22930	+ Hose Comp. - 1001, 1002
10	161852JM	+ Furniture Brush	40	34404	+ Extension Tube Curved
	43414016	Furniture Brush - AG	41	34547	+ Crevice Tool
11	13149JM	Connector Tube (Use w/161852JM)	42	34544A	+ Furniture Brush Comp.
12	161852JM	+ Furniture Brush Comp.	43	20486A	+ Furniture Brush Nozzle
13	13254BZ	+ Brush (Used w/161852JM)	44	31598	+ Furniture Brush Back
14	38617017	Crevice Tool	45	20493	+ Furniture Brush Support
15	43453027	Extension Tube (Aluminum)	46	47151	+* Screws
16	43458001	Extension Tube Comp.	47	34542T	+ Furniture Brush Guard
17	12589	Tube Guide	48	47672A	+ Dusting Brush Comp.
18	112845JM	+ Gasket - Outer	49	20483	+ Dusting Brush Nozzle
19	21312704	* Washer	50	31599	+ Dusting Brush Back
20	12844JM	+ Gasket - Inner	51	22762	+ Dusting Brush Guard
21	12824	+* Reinforcement Plate	52	44503	+ Skirt Retainer
22	12600	* Rivet	53	48963	+* Screws
23	12598	+ Extension Tube - Inner	54	3863801P	Extension Tube (Polystyrene)
24	12763AW	Rivet	55	38634054	Hose Connector
25	12783	+* Rivet	56	32156010	Hose Sleeve (2)
26	12846AG	Tube Latch - Inner	57	12615BZ	Hose Connector Collar
27	12772	+* Rivet	58	43431174	+ Hose
			59	36116006	Hose Connector Collar
			60	43466055	+ Hose Connector
			61	36153009	Latch Ring
			62	43434206	+ Cleaning Tool Hose Assm. Comp.