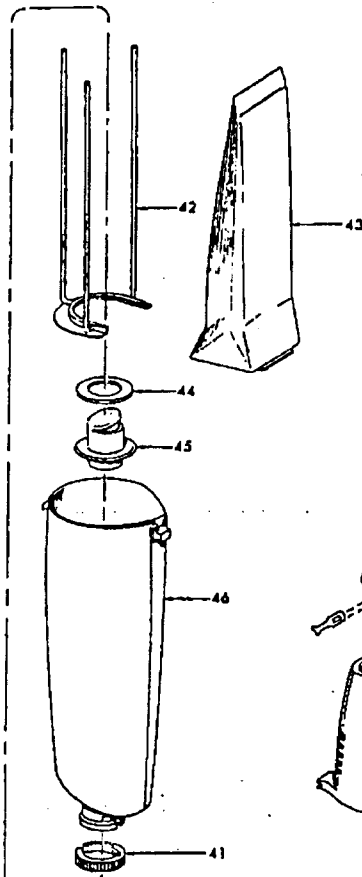
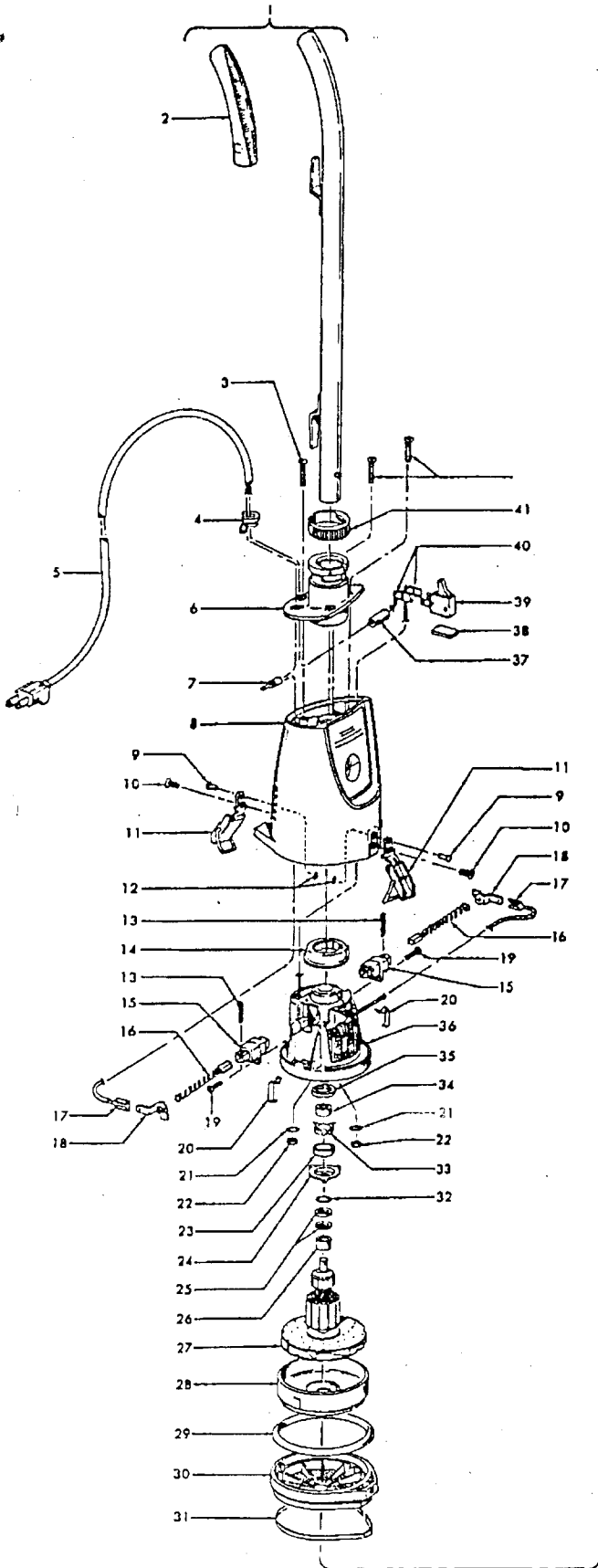
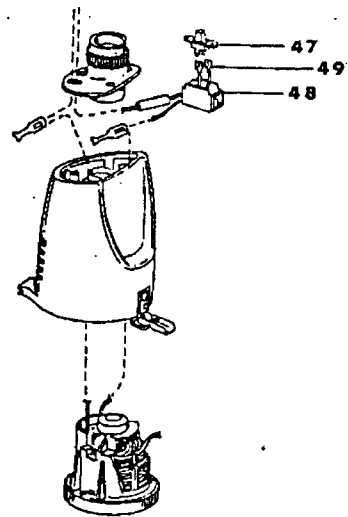


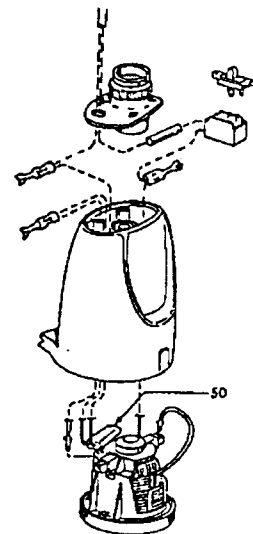
Models 2900, 2901, 2904, 2910, 2911, 2941, 2950, 2960,  
2980, S2003, S2005, S2007, S2011, S2013, S2015, S2085



ONE SPEED - SLIDE SWITCH  
LATE S2015's



LATE MODEL S2015's  
W/THERMAL PROTECTOR

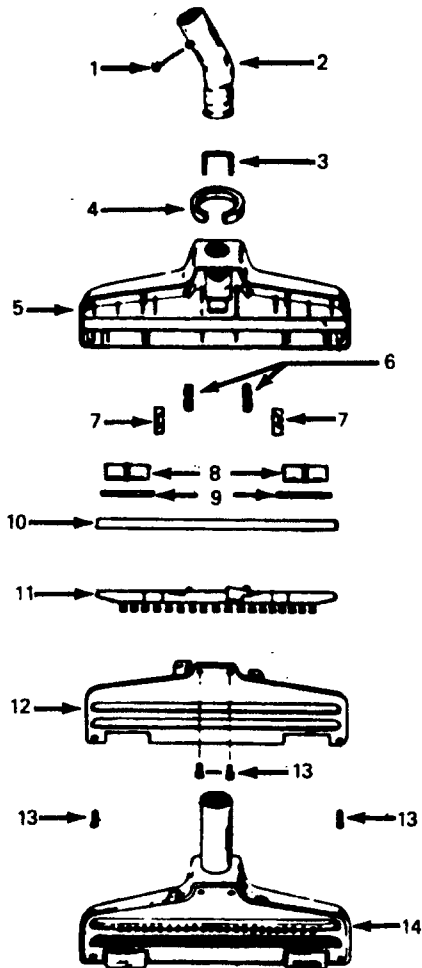


**Models 2900, 2901, 2910, 2911, 2941, 2950, 2960,  
2980, S2003, S2005, S2007, S2011, S2013, S2015, S2085**

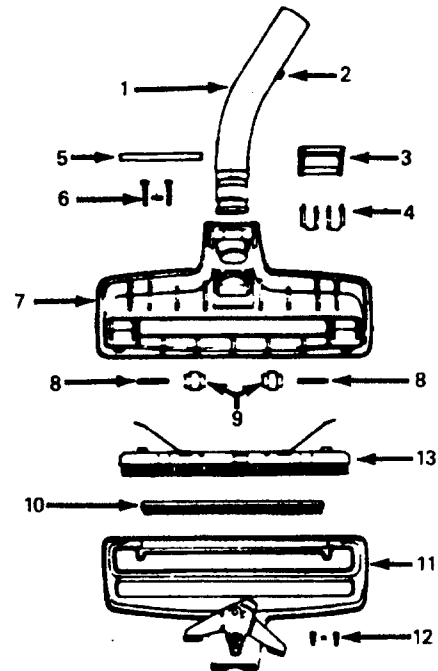
| Ref. No. | Part No. | Description  | Ref. No. | Part No.              | Description  |
|----------|----------|--|----------|-----------------------|--|
| 1        | 15665LL  | + Handle - 2900, 2901, 2904, 2910, 2911, 2950  | 32       | 21312719              | +* Washer  |
|          | 161412LL | + Handle - 2941  | 33       | 15851                 | +* Bearing Retainer  |
|          | 161412DM | + Handle - 2960  | 34       | 24117209              | + Bearing  |
|          | 166791EK | + Handle - 2980  | 35       | 15295                 | * Felt Washer  |
|          | 48646008 | Handle - S2003, S2005  | 36       | 15272                 | + Mtr. Casing & Field Assm. (Used on the following Models until 6/72 - 2900, 2901, 2904, 2910, 2911, 2941, 2950, 2960, 2980) Toggle Switch |
|          | 48645023 | Handle - S2007   |          | 45312021              | Mtr. Casing & field Assm.- Toggle Switch   |
|          | 48646012 | + Handle - S2011   |          | 45312055              | Mtr. Casing & Field Assm. Model S2015 's equipped w/Slide Switch   |
| 2        | 48643084 | Handle - S2015, S2013, S2085   |          | 45312033              | + Motor Case & Field Assm. - S2085   |
|          | 12230JM  | + Handle Grip -S2003, S2005, S2011, S2013  | 37       | 31722007              | * Insulator  |
|          | 12230DS  | + Handle Grip  | 38       | 15317                 | +* Switch Pad (Toggle Switch)  |
| 3        | 15738EF  | +* Screw (3)   | 39       | 12971                 | Switch (Toggle)  |
| 4        | 12226    | + Strain Relief Bushing  | 40       | 161350                | +* Terminal (2) - Toggle Switch  |
|          | 163768   | Strain Relief -S2011, S2013, S2015, S2085  | 41       | 36153009              | Latch Ring   |
| 5        | 46383068 | Attach. Cord   | 42       | 15650                 | Bag Support - Long - 2900, 2941, 2950, 2960, 2980, S2003, S2005, S2011, S2013  |
| 6        | 42227070 | + Closure Plate - Common - One Speed Toggle Switch   |          | 15327                 | + Bag Support - Short -2901, 2904, 2910, 2911, S2007, S2015, S2085   |
|          | 42227098 | Closure Plate/Latch Ring - One Speed Model S2015 's equipped w/Slide Switch  | 43       | 4010007F              | Throw Away Bag - 3 Pack - Long   |
|          | 42227090 | Closure Plate/Latch Ring - S2085   |          | 4010008G              | Throw Away Bag - 3 Pack - Short  |
| 7        | 48969    | * Wire Nut   | 44       | 17295                 | + Bag Sealing Collar   |
| 8        | 42222057 | + Motor Housing - 2900, 2911, 2941, 2960, 2980, S2003, S2005   | 45       | 15311JM               | + Bag Gasket   |
|          | 161252JM | + Motor Housing - 2901, 2904, 2910, S2007  | 46       | 18351JM               | + Bag Housing - Short - 2901, 2904, 2910, 2911, S2015, S2085   |
|          | 162909AR | + Motor Housing - 2950   |          | 164538DR              | + Bag Housing - Short - S2007  |
|          | 42221011 | Motor Housing - CD - S2011   |          | 15652LL               | + Bag Housing - Long - 2900, 2941, 2960  |
|          | 42221021 | + Motor Housing - DS - S2013   |          | 163163DS              | + Bag Housing - Long - S2013   |
|          | 42221073 | + Motor Housing w/Thermal Protector -S2015   |          | 163753LL              | + Bag Housing - Long - 2950  |
|          | 42222149 | Motor Housing w/Thermal Protector -S2085   |          | 166787EK              | + Bag Housing - Long - 2980  |
| 9        | 16195    | +* Rivet (2)   |          | 42223007              | + Bag Housing - CD - S2003, S2011  |
| 10       | 12954    | * Screw (2)  |          | 42223011              | + Bag Housing - Long - S2005   |
| 11       | 15331AY  | Latch (2)  | 47       | 28177005              | + Switch (Slide) - Late Model S2015 's   |
| 12       | 161549   | + Washer (2)   |          | 47517014              | Switch w/Diode - S2085   |
|          | 21312758 | +* Washer (2) - S2085  | 48       | 37922002              | Terminal Shield - Late Model S2015 's, S2085   |
| 13       | 49435    | +* Cotter Pin (2) NA. on Model S2015 's equipped w/Slide Switch & Model S2085  | 49       | 27666702              | * Terminal - Late Model S2015 's, S2085  |
| 14       | 15316    | + Motor Mount  | 50       | 28382028              | Thermal Protector - Late Model S2015 's, S2085   |
| 15       | 15275AG  | + Brush Holder (2)   |          | ITEMS NOT ILLUSTRATED |  |
|          | 161749AG | + Brush Holder (2) Model S2015 's equipped w/Slide Switch; S2085   |          | 17457                 | + Bag Comp. - Cloth (Incl. 17209)  |
| 16       | 17353    | Motor Brush & Spring (2)   |          | 17209                 | + Bag Collar - Cloth Bag   |
|          | 47311004 | Mtr. Brush & Spring (2) Model S2015 's equipped w/Slide Switch; S2085  |          | 161336                | + Cloth Bag  |
| 17       | 12227    | Terminal (2)   |          | 12763AW               | * Rivet (Handle)   |
|          | 161876   | + Terminal (2) Model S2015 's equipped w/Slide Switch; S2085   |          | 16547                 | + Medallion  |
| 18       | 15894    | +* Mtr Brush Retainer (2) N/A on Model S2015 's equipped w/Slide Switch & model S2085                                    |          | 163418AW              | + Stand - 2950   |
| 19       | 162911   | + Screw (2)  |          | 163435AY              | + Cap (Use w/163418AW) - 2950  |
| 20       | 163416   | Clip (2)   |          | 15997                 | Secondary Filter   |
|          | 15744    | + Clip (2) (Used on the following Models until 6/72 - 2900, 2901, 2904, 2910, 2911, 2941, 2950, 2960, 2980)              |          | 168317                | +* Screw (Use w/17094 Motor Shield & 15272 Motor Casing/Field)   |
| 21       | 21312759 | +* Washer (2)  |          | 17094                 | + Motor Shield (Use w/15272 Motor Casing/Field)  |
| 22       | 162910   | +* Nut (2)   |          | 43576019              | + Motor Assm. Comp. - Single Speed - Toggle Switch   |
| 23       | 12012    | +* Absorbent Washer  |          | 43576051              | Motor Assm. Comp. - Single Speed - Model S2015 's equipped w/Slide Switch  |
| 24       | 15850    | + Bearing Retainer Support   |          | 43576021              | + Motor Assm. Comp. - Two Speed - S2085  |
| 25       | 15278    | * Fiber Washer (2)   |          |                       |  |
| 26       | 49344    | +* Insulator   |          |                       |  |
|          | 31148006 | Spacer - S2085   |          |                       |  |
| 27       | 44731003 | Armature & Fan Assm.   |          |                       |  |
| 28       | 15293    | + Fan Hsg. & Brg. Assm. (Used on the following Models until 6/72 - 2900, 2901, 2904, 2910, 2911, 2941, 2950, 2960, 2980) |          |                       |  |
|          | 163441   | Fan Housing & Bearing Assm.  |          |                       |  |
| 29       | 15315    | + Motor Gasket   |          |                       |  |
| 30       | 15326BZ  | + Bulkhead (Req. Secondary Filter 15997)   |          |                       |  |
|          | 19586AG  | + Bulkhead - 2904, 2910 (Req. Secondary Filter 15997)  |          |                       |  |
|          | 166116AG | + Bulkhead - S2003, S2005, S2007, S2011, S2013, S2015, S2085   |          |                       |  |
| 31       | 15330    | + Bag Housing Gasket   |          |                       |  |

# Rug & Floor Nozzle

Models 2900, 2901, 2904, 2911, 2941  
2950, 2951, 2960, 2970, 2980

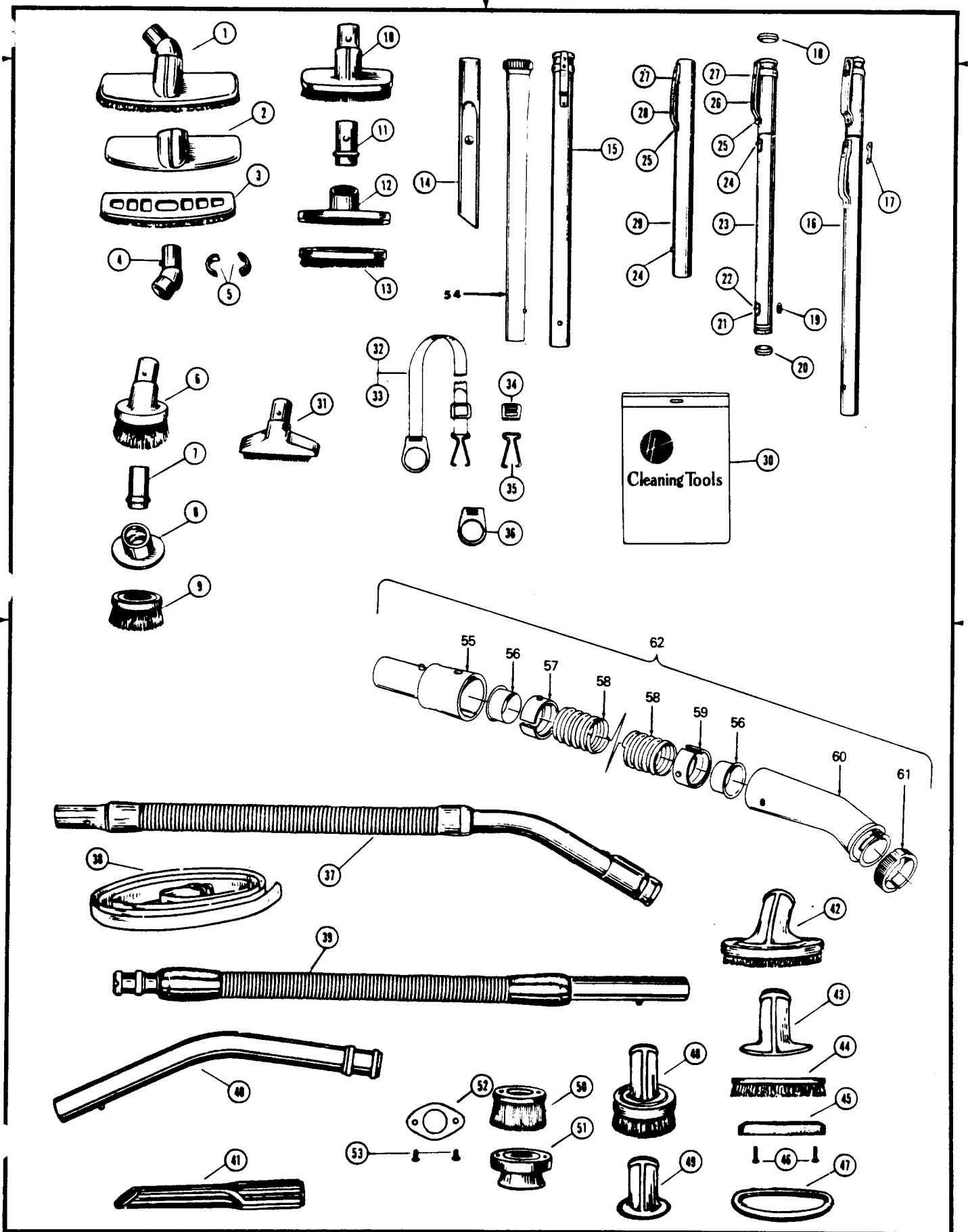


Models 2901 - 2904



| Ref. No. | Part No. | Description                |
|----------|----------|----------------------------|
| 1        | 12763AW  | * Rivet                    |
| 2        | 16269JM  | Nozzle Connecting Tube     |
| 3        | 161413   | +* Nozzle Tube Retainer    |
| 4        | 13267    | +* Gasket                  |
|          | 16252LL  | + Rug & Floor Nozzle       |
|          | 38615031 | + Nozzle - Edge Cleaning   |
| 6        | 15963FW  | + Spring                   |
| 7        | 13261AY  | * Rib Shoe                 |
| 8        | 13157AG  | + Roller                   |
| 9        | 13272    | + Roller Shaft             |
| 10       | 16214    | + Gasket                   |
| 11       | 16184    | Brush Back Assm.           |
| 12       | 42246002 | + Bottom Plate             |
| 13       | 12955    | * Screw                    |
| 14       | 43414101 | + Rug & Floor Nozzle Comp. |

| Ref. No. | Part No. | Description                |
|----------|----------|----------------------------|
|          | 659579A  | + Rug & Floor Nozzle Assm. |
| 1        | 16269JM  | Connector Tube             |
| 2        | 162331   | + Rivet                    |
| 3        | 612929   | + Tube Retainer            |
| 4        | 714249   | + Shoe                     |
| 5        | 13267    | +* Gasket                  |
| 6        | 808537   | +* Screw                   |
| 7        | 652533LL | + Nozzle                   |
| 8        | 815368   | +* Pin                     |
| 9        | 815367   | + Roller                   |
| 10       | 714232   | + Litter Picker            |
| 11       | 604477   | + Bottom Plate Assm.       |
| 12       | 907736   | +* Screw                   |
| 13       | 714256   | + Brush Back Assm.         |



## Cleaning Tools & Hose Assembly

## Hand & Stick Cleaners

| Ref. No. | Part No. | Description   | Ref. No. | Part No. | Description                      |
|----------|----------|---|----------|----------|----------------------------------|
| 1        | 13077JM  | + Bare Floor Brush                                  | 28       | 36152018 | Tube Latch - Outer               |
|          | 43414073 | Floor Brush Assm.                                   | 30       | 58544004 | + Cleaning Tool Bag              |
|          | 13155JM  | + Floor Brush Nozzle & Brush Assm. (Use w/ 3077J M) | 31       | 43414057 | Furniture Nozzle Assm.           |
| 3        | 13253AG  | + Floor Brush Face                                  | 32       | 15671JM  | Carrying Strap Comp.             |
| 4        | 13154JM  | + Floor Brush Swivel & Collar (Use w/13077JM)       | 33       | 15667DM  | + Carrying Strap                 |
|          | 38644040 | Swivel Connector (Use w/48473025)                   |          | 15667HH  | + Carrying Strap                 |
| 5        | 13276    | Floor Brush Swivel Bushing (Use w/13154JM)          |          | 15667A   | + Carrying Strap                 |
|          | 33712007 | Split Ring (Use w/38644040)                         | 34       | 15668    | +* Strap Buckle                  |
| 6        | 161851JM | + Dusting Brush                                     | 35       | 15670    | Strap Hook                       |
|          | 43414064 | Dusting Brush (One Piece)                           | 36       | 15669JM  | Strap Ring                       |
| 7        | 13149JM  | Nozzle Connector Tube (Use w/161851JM)              | 37       | 15584JM  | + Hose Comp.                     |
| 8        | 13150LL  | + Dusting Brush Nozzle (Use w/161851JM)             | 38       | 48398A   | + Carrying Strap - 1001, 1002    |
|          | 13263BZ  | + Brush (Use w/ 61851 JM)                           | 39       | 22930    | + Hose Comp. - 1001, 1002        |
| 10       | 161852JM | + Furniture Brush                                   | 40       | 34404    | + Extension Tube Curved          |
|          | 43414016 | Furniture Brush - AG                                | 41       | 34547    | + Crevice Tool                   |
| 11       | 13149JM  | Connector Tube (Use w/161852JM)                     | 42       | 34544A   | + Furniture Brush Comp.          |
| 12       | 161852JM | + Furniture Brush Comp.                             | 43       | 20486A   | + Furniture Brush Nozzle         |
| 13       | 13254BZ  | + Brush (Used w/161852JM)                           | 44       | 31598    | + Furniture Brush Back           |
| 14       | 38617017 | Crevice Tool  | 45       | 20493    | + Furniture Brush Support        |
| 15       | 43453027 | Extension Tube (Aluminum)                           | 46       | 47151    | +* Screws                        |
| 16       | 43458001 | Extension Tube Comp.                                | 47       | 34542T   | + Furniture Brush Guard          |
| 17       | 12589    | Tube Guide  | 48       | 47672A   | + Dusting Brush Comp.            |
| 18       | 112845JM | + Gasket - Outer                                    | 49       | 20483    | + Dusting Brush Nozzle           |
| 19       | 21312704 | * Washer  | 50       | 31599    | + Dusting Brush Back             |
| 20       | 12844JM  | + Gasket - Inner                                    | 51       | 22762    | + Dusting Brush Guard            |
| 21       | 12824    | +* Reinforcement Plate                              | 52       | 44503    | + Skirt Retainer                 |
| 22       | 12600    | * Rivet   | 53       | 48963    | +* Screws                        |
| 23       | 12598    | + Extension Tube - Inner                            | 54       | 3863801P | Extension Tube (Polystyrene)     |
| 24       | 12763AW  | Rivet   | 55       | 38634054 | Hose Connector                   |
| 25       | 12783    | +* Rivet  | 56       | 32156010 | Hose Sleeve (2)                  |
| 26       | 12846AG  | Tube Latch - Inner                                  | 57       | 12615BZ  | Hose Connector Collar            |
| 27       | 12772    | +* Rivet  | 58       | 43431174 | + Hose                           |
|          |          |   | 59       | 36116006 | Hose Connector Collar            |
|          |          |   | 60       | 43466055 | + Hose Connector                 |
|          |          |   | 61       | 36153009 | Latch Ring                       |
|          |          |   | 62       | 43434206 | + Cleaning Tool Hose Assm. Comp. |