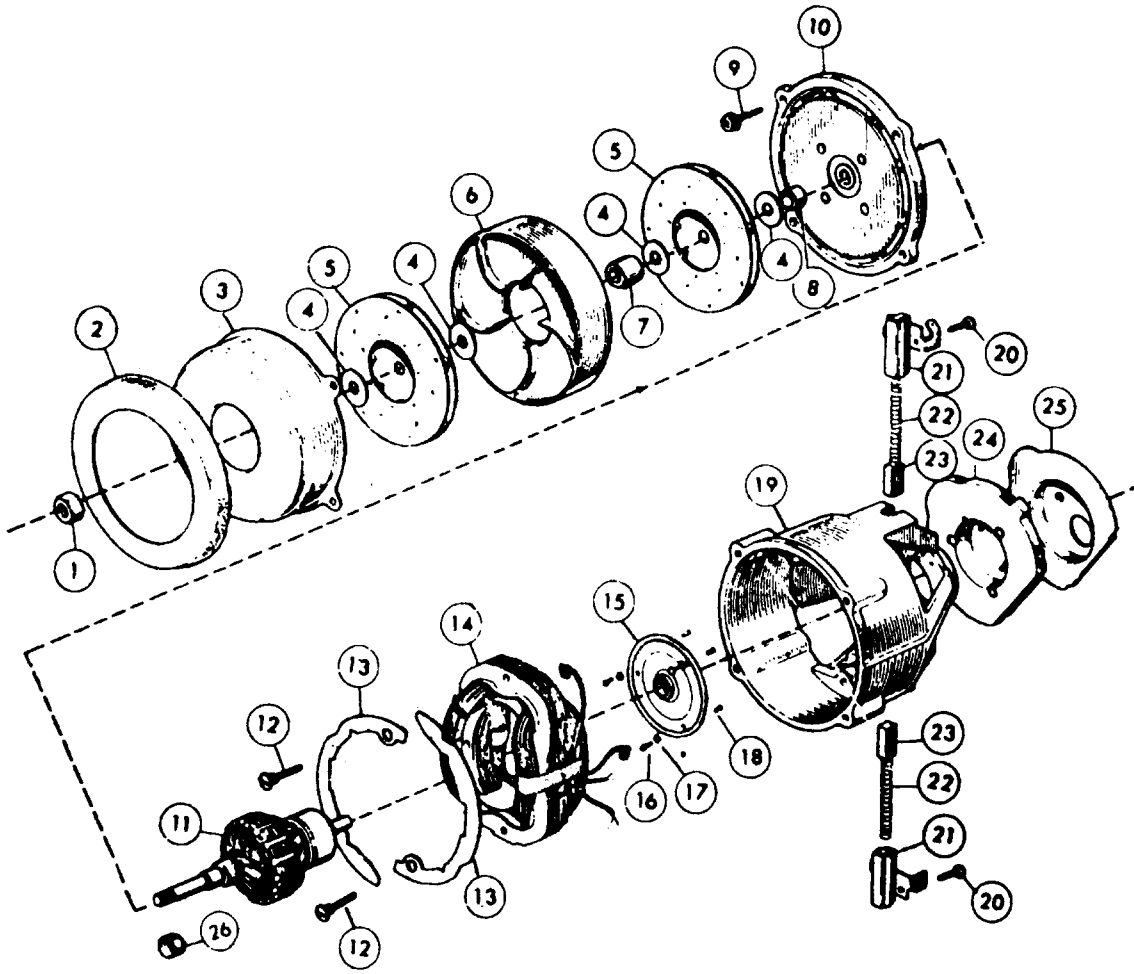


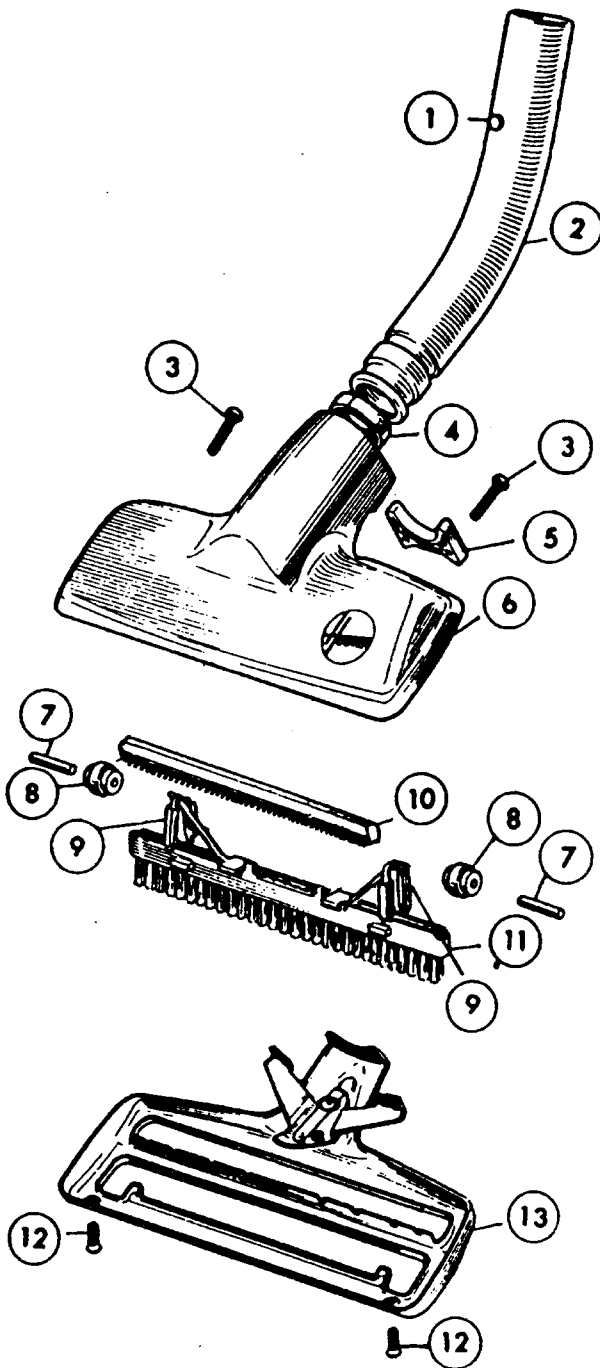
Ref. No.	Part No.	Description
1	12230JM	+ Handle Grip
2	12179G	+ Handle Comp.
3	907697	+* Rivet - Semi - Tubular
4	714159	+ Sleeve
5	714116	+ Latch Button
6	714098	+ Latch Spring
7	604402R	+ Bag Cover Assm.
8	613453	+ Bag Cover Latch Assm. - R.H.
9	907701	+* Rivet - Semi - Tubular
10	161535	* Screw - Self Tapping
11	612369	+* Spring
12	714158	+ Dirt Valve
13	714162	+ Bag Cover Gasket
14	612166	+ Shell Assm. - Front
15	641762	+* Screw - Self Tapping
16	613454	+ Bag Cover Latch Assm. - L.H.
17	162294	+* Screw - Self Tapping

Ref. No.	Part No.	Description
18	612164	+* Switch Retaining Plate
19	12971	Switch
20	815246	+ Retaining Clip
21	612195A	+ Shell Assm. - Rear
22	12117	+ Screw - Special Handle
23	612280	+ Handle Support
24	612279	+ Cord Strain Relief
25	12226	+ Strain Relief Bushing
26	48969	* Wire Nut
27	714118	+ Terminal Block Cover
28	907690	+* Screw - Machine
29	12229JM	+ Cord Protector
30	46363195	Cord
31	4010014T	+ Throw Away Bag
32	714161	+ Bag Support
33	604401	+ Bag Assm.
34	12182	+* Retainer Nut



Ref.	Part Description	No.	No.
1	907834	+*	Nut
2	714057	+	Motor Support
3	604346	+	Fan Housing
4	907607	+*	Washer
5	714031	+	Fan Assm.
6	604238	+	Deflector
7	815122	+	Fan Spacer
8	907608	+	Fan Spacer
9	907735	+*	Screw
10	714060	+	Motor End Plate Assm.
11	612198	+	Armature
12	907733	+*	Screw
13	612318	+	Insulator

Ref.	Part Description	No.	No.
14	612200	+	Field Assm.
15	15856	+	Motor Bearing
16	162343	+*	Screw - Machine
17	19772	*	Washer - Lock
18	162342	+	Nut
19	714375	+	Motor Casing & Bearing
20	907621	+*	Screw
21	815130	+	Motor Brush Holder
22	815681	+	Motor Brush Spring
23	815688	+	Motor Brush
24	614203	+	Motor Mount - Rear
25	614204	+	Motor Mount Support Plate



Ref. No.	Part No.	Description
1	162331	+ Rivet - Special
2	615393	+ Nozzle Connector Tube
3	808537	+* Screw - Self Tapping
4	13267	+* Gasket
5	612929	+ Tube Retainer
6	714372R	+ Carpet & Floor Nozzle
7	815368	+* Pin
8	815367	+ Roller
9	714249	+ Shoe
10	714232	+ Litter Picker
11	714256	+ Brush Back Assm.
12	907736	+* Screw - Self Tapping
13	604477	+ Bottom Plate Assm.
	659579A	+ Carpet & Floor Nozzle Comp.