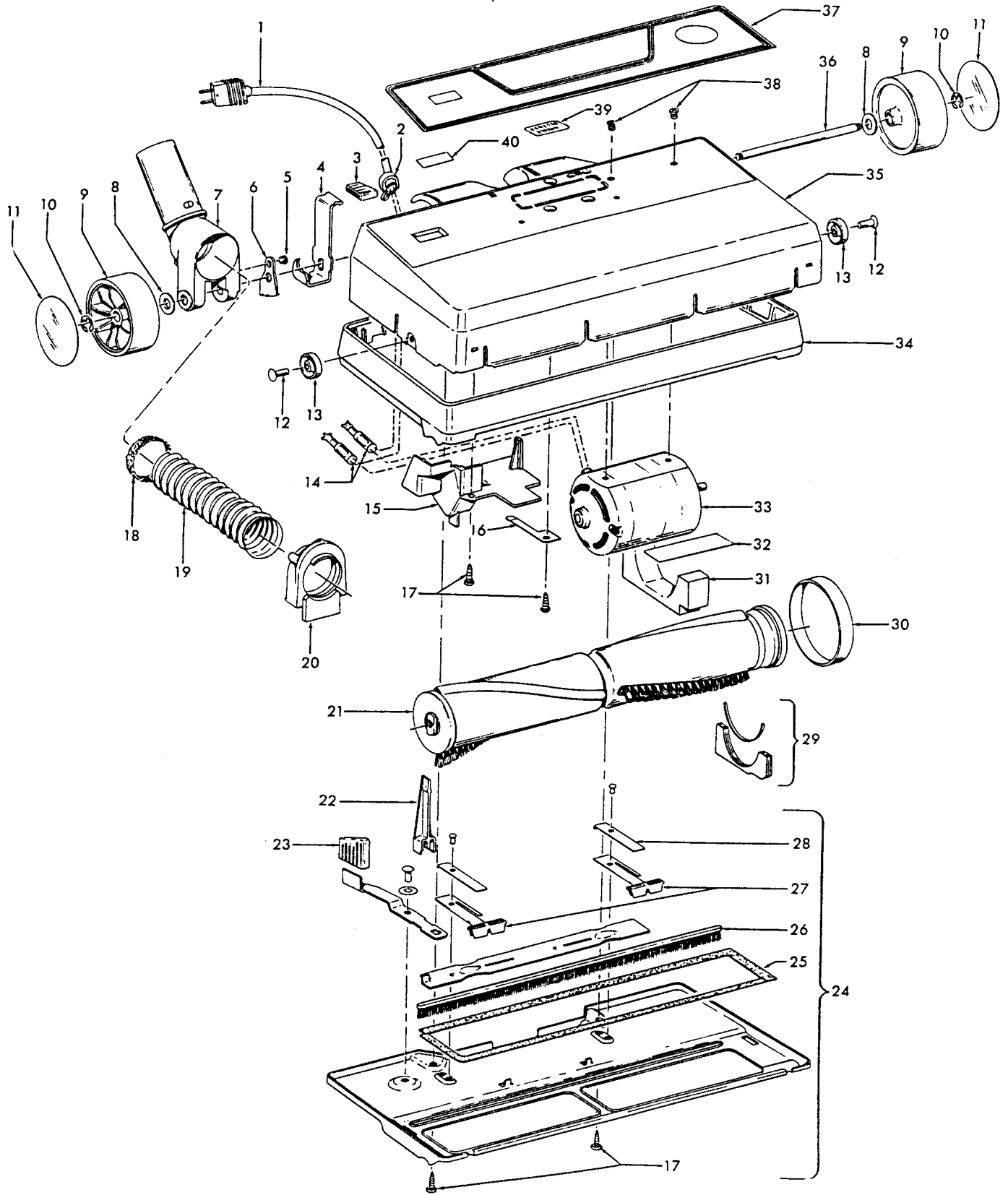


Ref.	Part	No.	No.	Description
1	12230JM	+		Handle Grip
2	48646026	+		Handle Assembly
3	46383068			Attach. Cord
4	163768			Strain Relief
5	36153009			Latch Ring - (2)
6	46326068			Connector - Stripped - JM
7	34341006			Retainer Clip - Flat
8	12227			Insulated Terminal
9	42221073	+		Motor Housing Assm.
10	12954	*		Screw - Self Tapping
11	31514001			Hinge Pin - AW
12	161549	+		Washer
13	49435	+		Cotter Pin (2)
14	17353			Motor Brush & Spring Assm. (2)
15	160356	*		Terminal
16	15894	+		Motor Brush Retainer (2)
17	162911	+		Screw (2)
18	15275AG	+		Motor Brush Holder Insulator (2)
19	21312759	+		Washer (2)
20	162910	+		Nut (2)
21	15278	*		Fiber Washer (2)
22	49344	+		Insulator
23	44731003			Armature & Fan Assm.
24	163441			Fan Housing & Bearing Assm.
25	15315	+		Motor Gasket
26	163416			Clip (2)
27	19586AG	+		Bulkhead - All Models
28	15330	+		Bag Housing Gasket
29	21312719	+		Washer
30	15850	+		Bearing Retainer Support

Ref.	Part	No.	No.	Description
31	12012	+		Absorbent Washer
32	15851	+		Bearing Retainer
33	24117209	+		Motor Bearing
34	15295	*		Felt Washer
35	45312023			Motor Case & Field Assm. (incl. Item 18)
36	160532	+		Terminal
37	16195	+		Rivet - Semi - Tubular
38	23715105			Latch
39	15317	+		Switch Pad
40	12971			Switch
41	42227070	+		Closure Plate/Latch Ring
42	161350	+		Terminal (2)
43	31722007	*		Insulator
44	15738EF	+		Screw - Self Tapping
45	43615001			Cassette Assm. - JM
46	4010002E			Throw Away Bag - 3 Pack - Cassette - Quik-Broom
47	43523001	+		Adapter Tube & Valve
48	32352001			Cassette Gasket
49	42223112			Bag Housing Assm.
50	15316	+		Motor Mount

PACKAGING MATERIAL

58162003	+		Carton
58365002			Support
58242003	+		End Support
58512038	+		Owner Manual



Ref. No.	Part No.	Description
1	46321068	Attach. Cord - JM
2	163768	Strain Relief
3	38426072	+ Foot Pad
4	34664007	Handle Release Lever
5	21435002	+ Screw - Self Tapping
6	38562009	+ Handle Position Bracket
7	43468058	Nozzle Connector Assm. - JM
8	31155005	* Washer - Plain (2)
9	38522001	Wheel (2)
10	13730	* Lock Ring (2)
11	169242	Wheel Cover (2)
12	21256025	Rivet - Small Solid (2)
13	32761001	Wheel - BZ (2)
14	12227	Insulated Terminal (2)
15	37943010	+ Circuit Breaker Cover - HE
16	35412003	Spring
17	21429404	+ Screw - Self Tapping (4)
18	166651	Felt Gasket
19	43431196	Hose Assembly
20	38638013	Hose Adapter - HE
21	48416004	Agitator Assm. Comp. - JU
22	51151031	+ Indicator - JM
23	38426080	Foot Pad
24	42246003	Bottom Plate Assm. - AW
25	34123001	Bottom Plate Seal
26	48443001	Brush

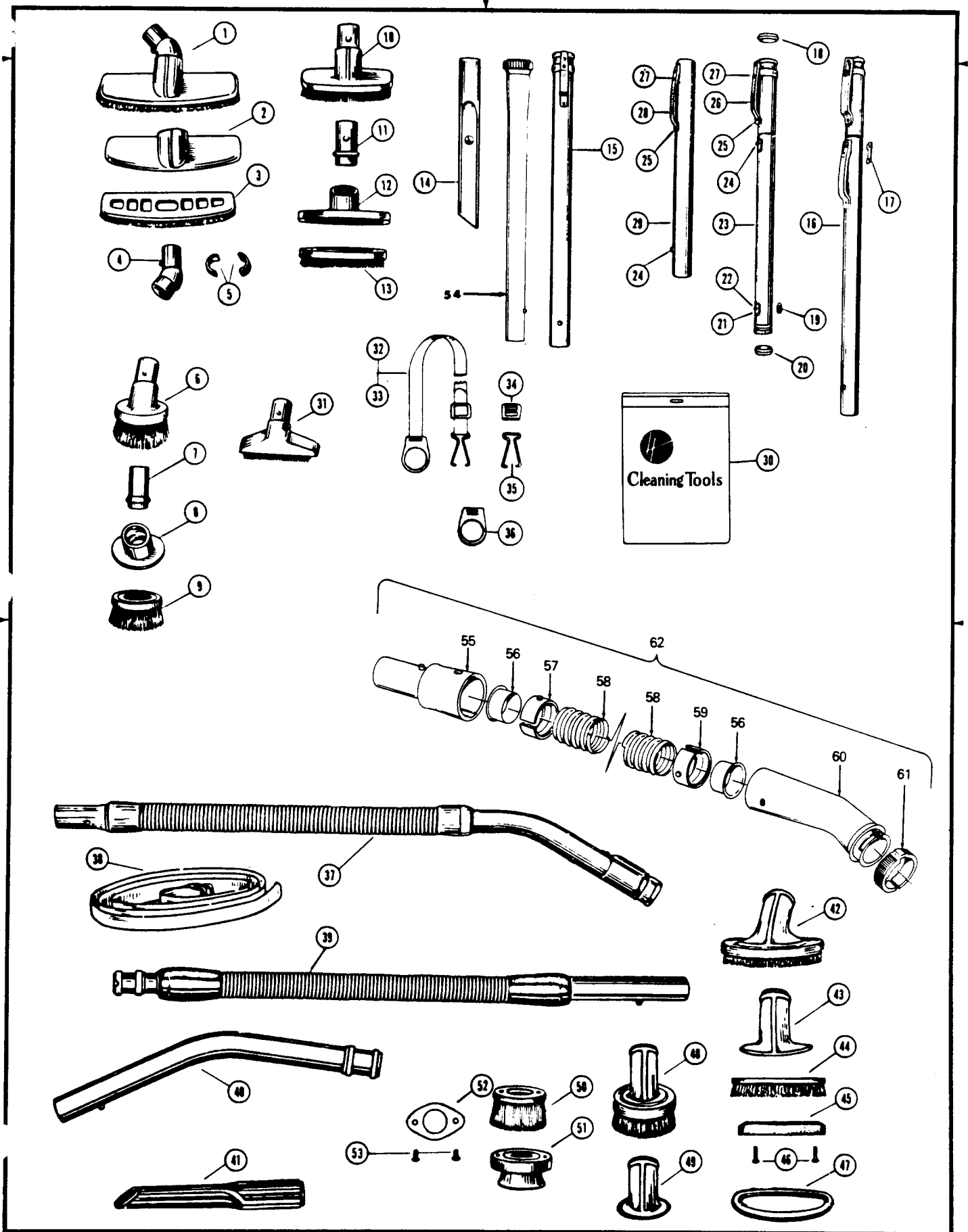
Ref. No.	Part No.	Description
27	36952008	Brush Support (2)
28	34654003	Spring - GJ (2)
29	43548001	+ Agitator Seal Assm. - HE
30	38528009	Belt - Powered Nozzle
31	38781003	Dirt Seal
32		1-1/2" Wide Pressure Sensitive Tape
33	27212011	+ Motor - Power Nozzle
34	36235002	Furniture Guard - JM
35	42241041	Nozzle Body - JM
36	32543002	Wheel Shaft - AZ
37	51375014	+ Nameplate
38	21768123	Screw - Machine - EF (2)
39	51638007	Handle Release Label
40	39382013	+ Indicator Lens
	48438084	Powered Nozzle Complete

**PACKAGING MATERIAL**

58132009	+ Carton - Powered Nozzle
58332001	+ Support - Powered Nozzle

**ITEMS NOT ILLUSTRATED**

34618017	Bracket Assm. (Use with 27212011 when installing on old style Nozzle Body with two mounting holes)
----------	--



## Cleaning Tools & Hose Assembly

## Hand & Stick Cleaners

Ref. No.	Part No.	Description	Ref. No.	Part No.	Description
1	13077JM	+ Bare Floor Brush	28	36152018	Tube Latch - Outer
	43414073	Floor Brush Assm.	30	58544004	+ Cleaning Tool Bag
	13155JM	+ Floor Brush Nozzle & Brush Assm. (Use w/ 3077J M)	31	43414057	Furniture Nozzle Assm.
3	13253AG	+ Floor Brush Face	32	15671JM	Carrying Strap Comp.
4	13154JM	+ Floor Brush Swivel & Collar (Use w/13077JM)	33	15667DM	+ Carrying Strap
	38644040	Swivel Connector (Use w/48473025)		15667HH	+ Carrying Strap
5	13276	Floor Brush Swivel Bushing (Use w/13154JM)		15667A	+ Carrying Strap
	33712007	Split Ring (Use w/38644040)	34	15668	+* Strap Buckle
6	161851JM	+ Dusting Brush	35	15670	Strap Hook
	43414064	Dusting Brush (One Piece)	36	15669JM	Strap Ring
7	13149JM	Nozzle Connector Tube (Use w/161851JM)	37	15584JM	+ Hose Comp.
8	13150LL	+ Dusting Brush Nozzle (Use w/161851JM)	38	48398A	+ Carrying Strap - 1001, 1002
	13263BZ	+ Brush (Use w/ 61851 JM)	39	22930	+ Hose Comp. - 1001, 1002
10	161852JM	+ Furniture Brush	40	34404	+ Extension Tube Curved
	43414016	Furniture Brush - AG	41	34547	+ Crevice Tool
11	13149JM	Connector Tube (Use w/161852JM)	42	34544A	+ Furniture Brush Comp.
12	161852JM	+ Furniture Brush Comp.	43	20486A	+ Furniture Brush Nozzle
13	13254BZ	+ Brush (Used w/161852JM)	44	31598	+ Furniture Brush Back
14	38617017	Crevice Tool	45	20493	+ Furniture Brush Support
15	43453027	Extension Tube (Aluminum)	46	47151	+* Screws
16	43458001	Extension Tube Comp.	47	34542T	+ Furniture Brush Guard
17	12589	Tube Guide	48	47672A	+ Dusting Brush Comp.
18	112845JM	+ Gasket - Outer	49	20483	+ Dusting Brush Nozzle
19	21312704	* Washer	50	31599	+ Dusting Brush Back
20	12844JM	+ Gasket - Inner	51	22762	+ Dusting Brush Guard
21	12824	+* Reinforcement Plate	52	44503	+ Skirt Retainer
22	12600	* Rivet	53	48963	+* Screws
23	12598	+ Extension Tube - Inner	54	3863801P	Extension Tube (Polystyrene)
24	12763AW	Rivet	55	38634054	Hose Connector
25	12783	+* Rivet	56	32156010	Hose Sleeve (2)
26	12846AG	Tube Latch - Inner	57	12615BZ	Hose Connector Collar
27	12772	+* Rivet	58	43431174	+ Hose
			59	36116006	Hose Connector Collar
			60	43466055	+ Hose Connector
			61	36153009	Latch Ring
			62	43434206	+ Cleaning Tool Hose Assm. Comp.