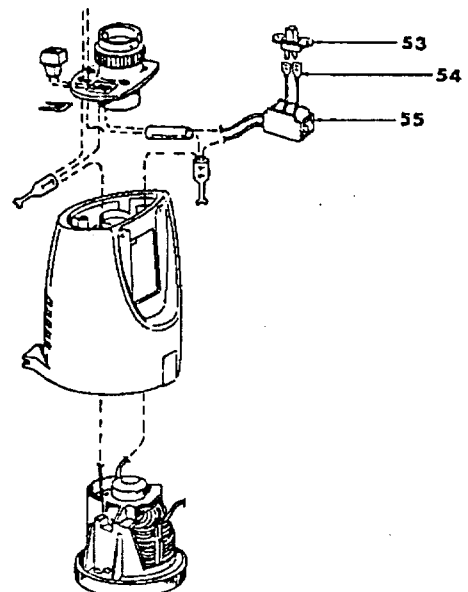


ONE SPEED-SLIDE SWITCH
LATE MODEL S2043's



Ref.	Part	No.	No.	Description
1	12230JM	+		Handle Grip
2	48645023			Handle/Grip Assm.
3	46383068			Attach. Cord
4	163768			Strain Relief
5	36153009			Latch Ring
6	46326070			Connector - JM
7	34341006			Retainer Clip
8	12227			Insulated Terminal
9	42222100			Motor Housing Assm. - JZ
10	12954	*		Screw - Self Tapping
11	31514001			Hinge Pin - AW
12	161549	+		Washer
13	15316	+		Motor Mount
14	161749AG	+		Brush Holder
15	47311004			Motor Brush & Spring
16	161876	+		Terminal
17	162911	+		Screw
	21312759	+		Washer
	162910	+		Nut
18	15278	*		Fiber Washer
19	49344	+		Insulator
20	44731003			Armature & Fan Assm.
21	163441	+		Fan Housing & Bearing Assm.
22	15315			Motor Gasket
23	163416			Clip
24	19586AG	+		Bulkhead
25	15330	+		Bag Housing Gasket
26	21312719	+		Washer
27	15850	+		Bearing Retainer Support
28	12012	+		Absorbent Washer
29	15851	+		Bearing Retainer
30	24117209	+		Motor Bearing
31	15295	*		Felt Washer
32	45312033	+		Motor Case & Field Assm.
33	23715105			Latch
34	21447003	*		Screw - Self Tapping
35				Pop Rivet - 1/8" Dia. x * 3/8" Long
36	48662006			Handle/Muffler Assm. (incl. Items 37, 38,39,40,41)
37	34544001			Exhaust Diffuser - L. H.

Ref.	Part	No.	No.	Description
	34544002			Exhaust Diffuser - R.H. (Shown)
38	34123013			Handle & Muffler Foam Seal (2)
39	34123012			Handle & Muffler Foam Seal
40	39383034			Indicator Lens - BU
41	51151045	+		Full Bag Indicator - BZ
42	15317	+		Switch Pad - Model S2043 's equipped w/Toggle Switch
43	12971			Switch (Toggle) - Early Model S2043's
44	42227070	+		Closure Plate/Latch Ring - Model S2043 's equipped w/Toggle Switch
	42227097			Closure Plate/Latch Ring - Model S2043 's equipped w/Slide Switch
45	161350	+		Terminal - Model S2043 's equipped w/Toggle Switch
46	31722007	*		Insulator
47	15738EF	+		Screw - Self Tapping
48	43615001			Cassette Assm. - JM
49	4010002E			Throw Away Bag - 3 Pack
50	43523001	+		Adapter Tube & Valve
51	32352001			Cassette Gasket
52	42223112			Bag Housing Assm. - MX
53	281770KD			Switch (Slide) - Late Model S2043 's
54	27666702	*		Terminal - Model S2043 's equipped w/Slide Switch
55	37922002			Terminal Shield - Model S2043 's equipped w/Slide Switch

ITEMS NOT ILLUSTRATED

52135018	+	Decal (Handle/Muffler Assm.)
21447026	+	Screw - Self Tapping (2) (Secures Item 36 Handle/Muffler Assm. to Item 9 Motor Housing Assm.)

PACKAGING MATERIAL

58162003	+	Carton
58365002		Carton Support
56512055	+	Owner Manual

Quik-Broom - Powered Nozzle

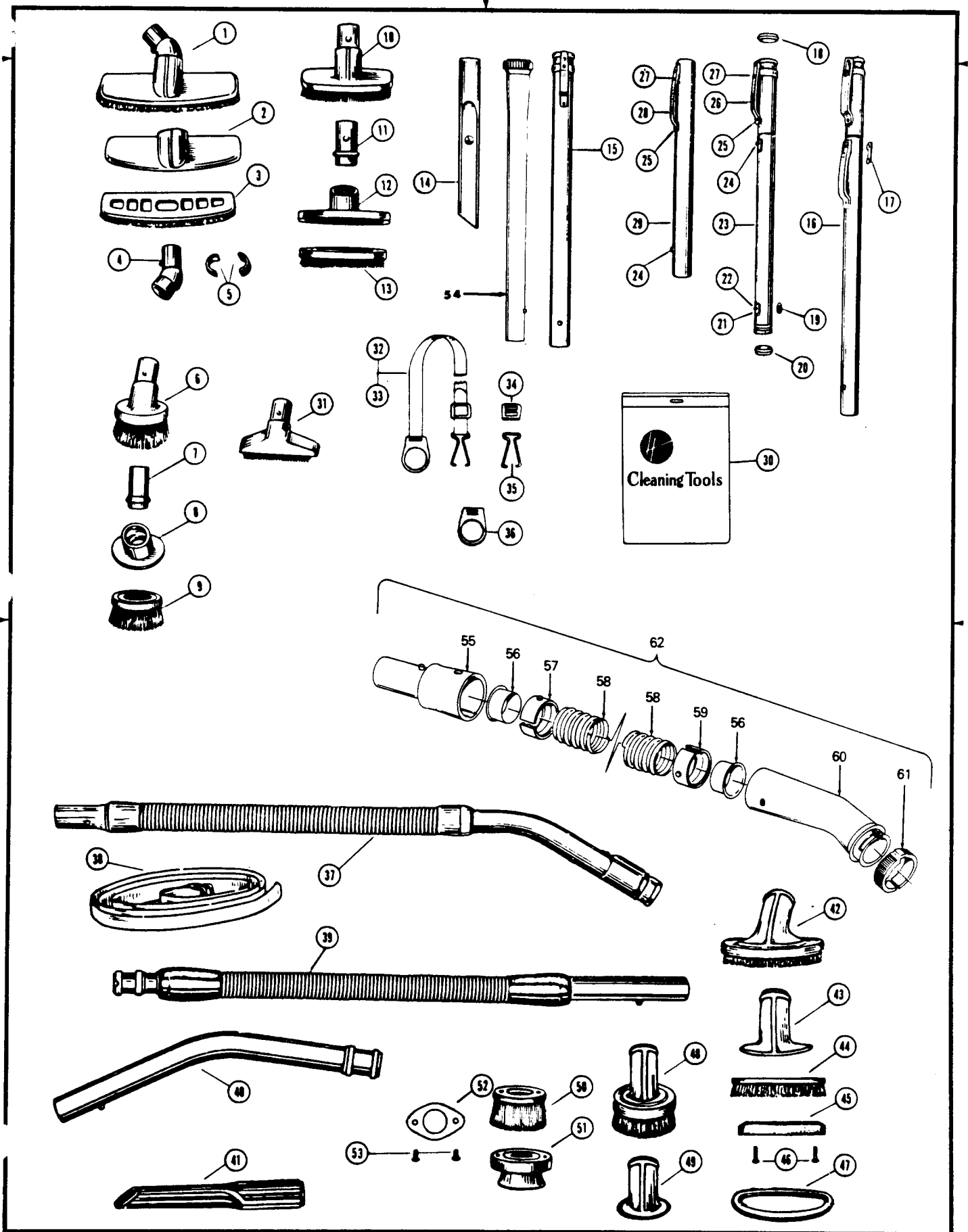
Model S2043

Ref. No.	Part No.	Description
1	46321068	Attach. Cord - JM
2	163768	Strain Relief
3	38426072	+ Foot Pad
4	34664007	Handle Release Lever
5	21435002	+ Screw - Self Tapping
6	38562009	+ Handle Position Bracket
7	43468058	Nozzle Connector Assm. - JM
8	31155005	* Washer
9	38522001	Wheel
10	13730	* Lock Ring
11	169242	Wheel Cover
12	21256025	Rivet
13	32761001	Wheel - BZ
14	12227	Insulated Terminal
15	37943010	+ Circuit Breaker Cover
16	35412003	Spring
17	21429404	+ Screw - Self Tapping
18	43431196	Hose Assembly
19	38638013	Hose Adapter - HE
20	48416004	Agitator - JU
21	51151031	+ Indicator - JM
22	38426080	Foot Pad
23	42246003	Bottom Plate Comp. - AW
24	34123001	Bottom Plate Seal
25	48443001	Brush
26	36952008	Brush Support
27	34654003	Spring
28	43548001	Agitator Seal Assm.
29	38528009	Belt (Powered Nozzle)
30	38781003	Dirt Seal - Prior to Jan. 1 980 (Use w/ 27212011 Motor)

Ref. No.	Part No.	Description
	34284001	+ Motor Baffle - After Jan. 1980 (Use w/ 43177073 Motor)
31	27212011	+ Motor (Powered Nozzle) - Prior to Jan. 1980 (Use w/21434224 Screw (2))
	43177073	Motor w/Mounting Tab - After Jan. 1980 (Use w/21447007 Screw (1))
32	36235002	Furniture Guard - JM
33	42241041	Nozzle Body - JM
34	32543002	Wheel Shaft
35	51375014	+ Nameplate
36	21434224	+* Screw - Machine - Prior to Jan. 1980 (2) - (Use w/27212011 Motor)
	21447007	* Screw - After Jan. 1980 (1) - (Use w/ 43177073 Motor)
37	51638007	Handle Release Label
38	39382013	+ Indicator Lens
39	21447003	* Screw - Self Tapping
	48438084	Powered Nozzle Assm. (Does not Incl. Items 35,38)
	13261AY	* Rib Shoe (Nozzle Body - Belt Guard)

PACKAGING MATERIAL

58132009	+ Carton (Powered Nozzle)
58332001	+ Support (Powered Nozzle)
34618017	Bracket Assm. (Use w/27212011 (Plastic Case) when installing on old style Nozzle Body with two mounting holes.)



Cleaning Tools & Hose Assembly

Hand & Stick Cleaners

Ref. No.	Part No.	Description	Ref. No.	Part No.	Description
1	13077JM	+ Bare Floor Brush	28	36152018	Tube Latch - Outer
	43414073	Floor Brush Assm.	30	58544004	+ Cleaning Tool Bag
	13155JM	+ Floor Brush Nozzle & Brush Assm. (Use w/ 3077J M)	31	43414057	Furniture Nozzle Assm.
3	13253AG	+ Floor Brush Face	32	15671JM	Carrying Strap Comp.
4	13154JM	+ Floor Brush Swivel & Collar (Use w/13077JM)	33	15667DM	+ Carrying Strap
	38644040	Swivel Connector (Use w/48473025)		15667HH	+ Carrying Strap
5	13276	Floor Brush Swivel Bushing (Use w/13154JM)		15667A	+ Carrying Strap
	33712007	Split Ring (Use w/38644040)	34	15668	+* Strap Buckle
6	161851JM	+ Dusting Brush	35	15670	Strap Hook
	43414064	Dusting Brush (One Piece)	36	15669JM	Strap Ring
7	13149JM	Nozzle Connector Tube (Use w/161851JM)	37	15584JM	+ Hose Comp.
8	13150LL	+ Dusting Brush Nozzle (Use w/161851JM)	38	48398A	+ Carrying Strap - 1001, 1002
	13263BZ	+ Brush (Use w/ 61851 JM)	39	22930	+ Hose Comp. - 1001, 1002
10	161852JM	+ Furniture Brush	40	34404	+ Extension Tube Curved
	43414016	Furniture Brush - AG	41	34547	+ Crevice Tool
11	13149JM	Connector Tube (Use w/161852JM)	42	34544A	+ Furniture Brush Comp.
12	161852JM	+ Furniture Brush Comp.	43	20486A	+ Furniture Brush Nozzle
13	13254BZ	+ Brush (Used w/161852JM)	44	31598	+ Furniture Brush Back
14	38617017	Crevice Tool	45	20493	+ Furniture Brush Support
15	43453027	Extension Tube (Aluminum)	46	47151	+* Screws
16	43458001	Extension Tube Comp.	47	34542T	+ Furniture Brush Guard
17	12589	Tube Guide	48	47672A	+ Dusting Brush Comp.
18	112845JM	+ Gasket - Outer	49	20483	+ Dusting Brush Nozzle
19	21312704	* Washer	50	31599	+ Dusting Brush Back
20	12844JM	+ Gasket - Inner	51	22762	+ Dusting Brush Guard
21	12824	+* Reinforcement Plate	52	44503	+ Skirt Retainer
22	12600	* Rivet	53	48963	+* Screws
23	12598	+ Extension Tube - Inner	54	3863801P	Extension Tube (Polystyrene)
24	12763AW	Rivet	55	38634054	Hose Connector
25	12783	+* Rivet	56	32156010	Hose Sleeve (2)
26	12846AG	Tube Latch - Inner	57	12615BZ	Hose Connector Collar
27	12772	+* Rivet	58	43431174	+ Hose
			59	36116006	Hose Connector Collar
			60	43466055	+ Hose Connector
			61	36153009	Latch Ring
			62	43434206	+ Cleaning Tool Hose Assm. Comp.