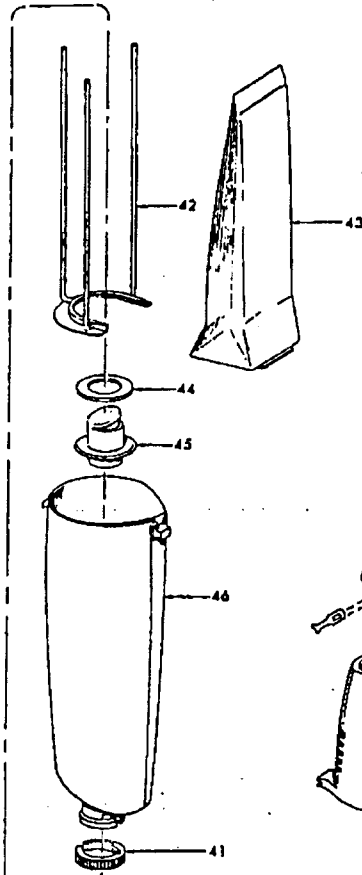
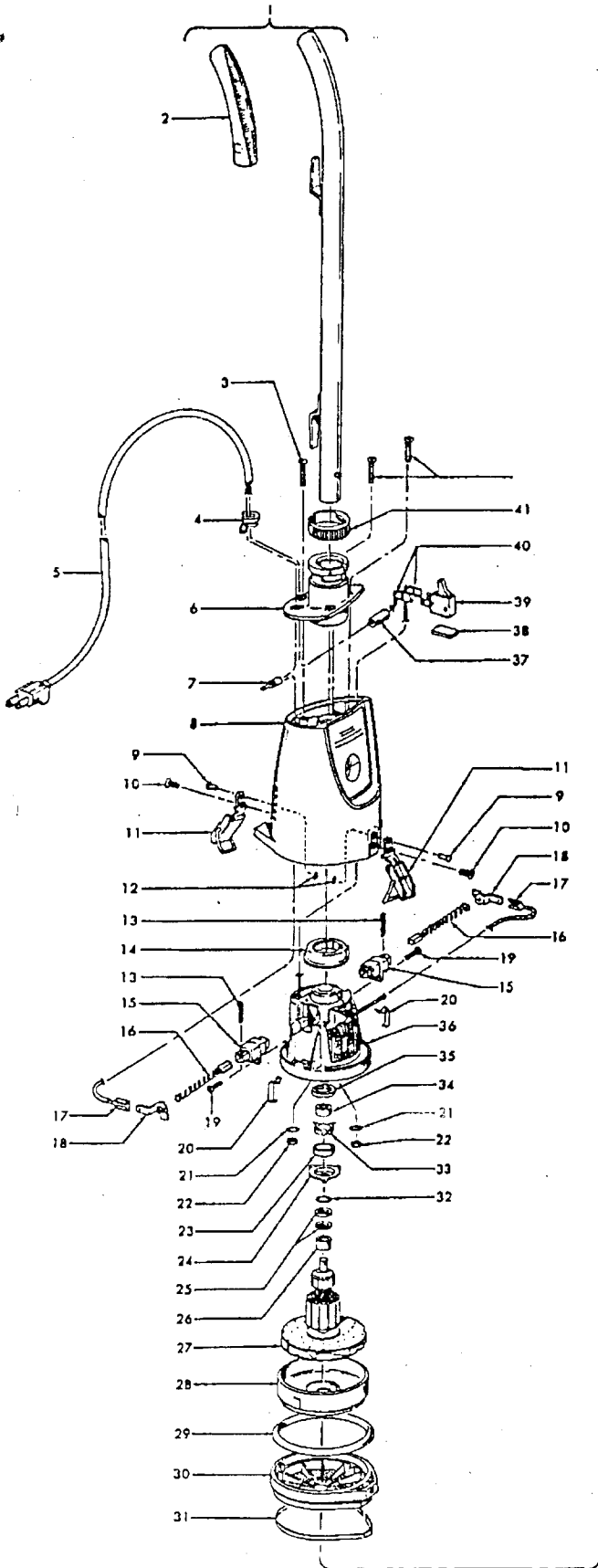
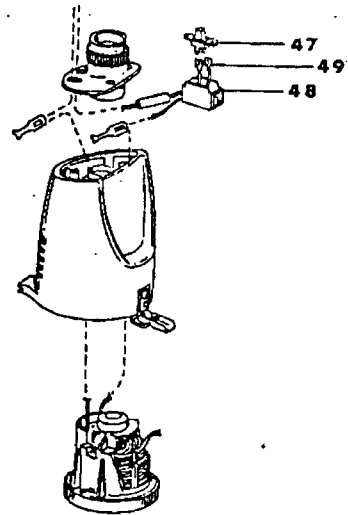


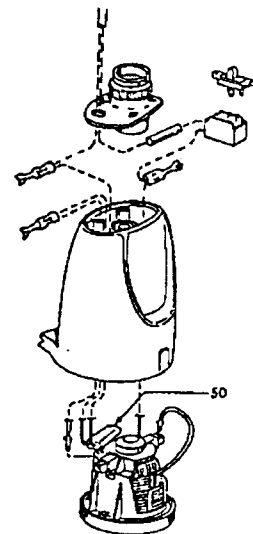
Models 2900, 2901, 2904, 2910, 2911, 2941, 2950, 2960,  
2980, S2003, S2005, S2007, S2011, S2013, S2015, S2085



ONE SPEED - SLIDE SWITCH  
LATE S2015's



LATE MODEL S2015's  
W/THERMAL PROTECTOR

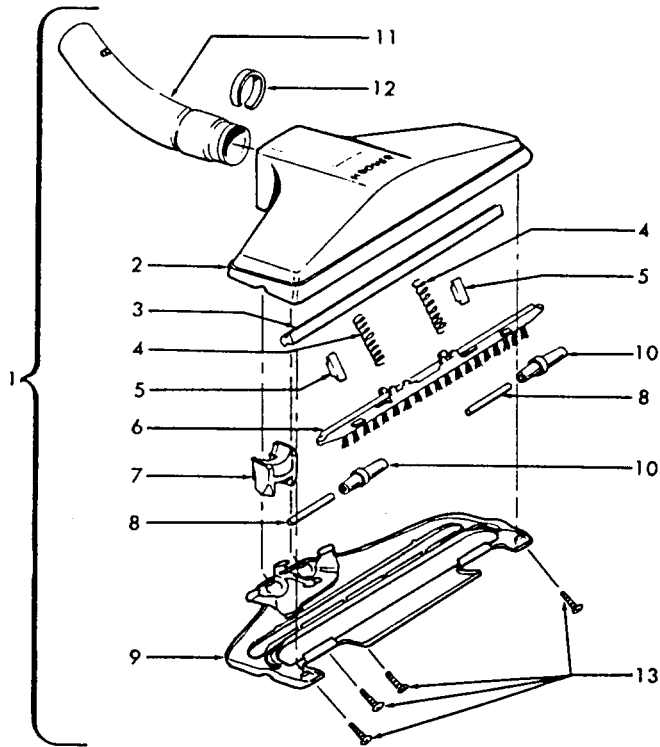


**Models 2900, 2901, 2910, 2911, 2941, 2950, 2960,  
2980, S2003, S2005, S2007, S2011, S2013, S2015, S2085**

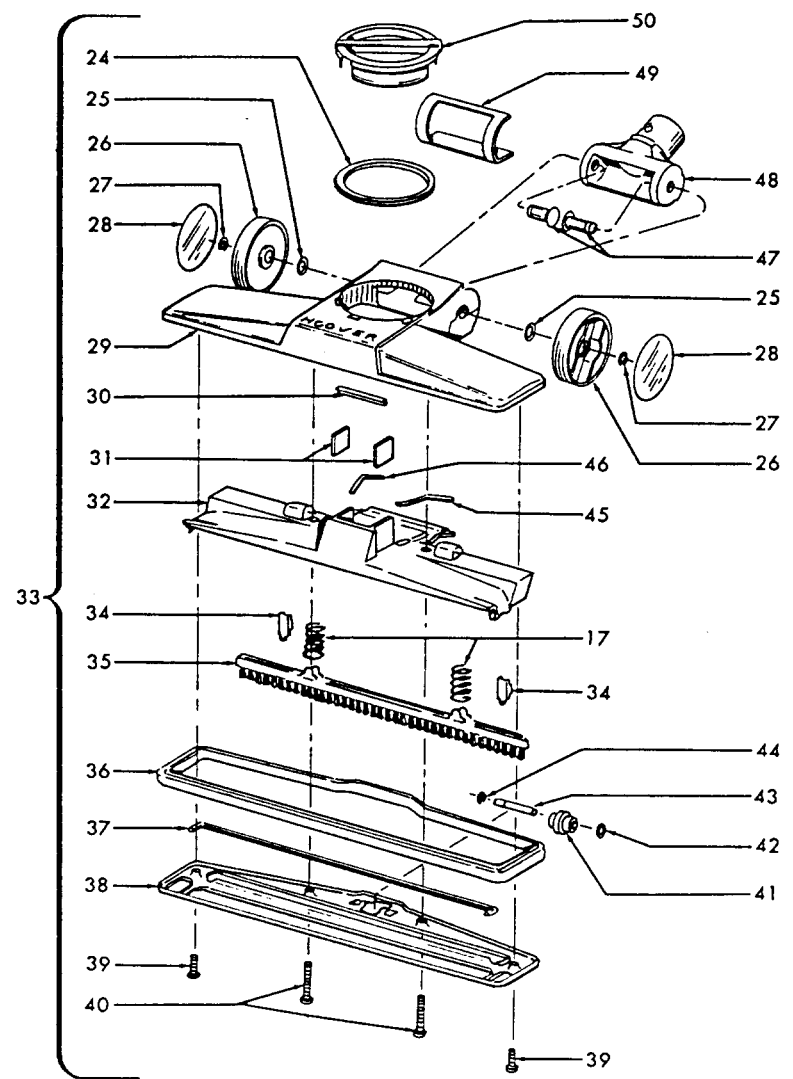
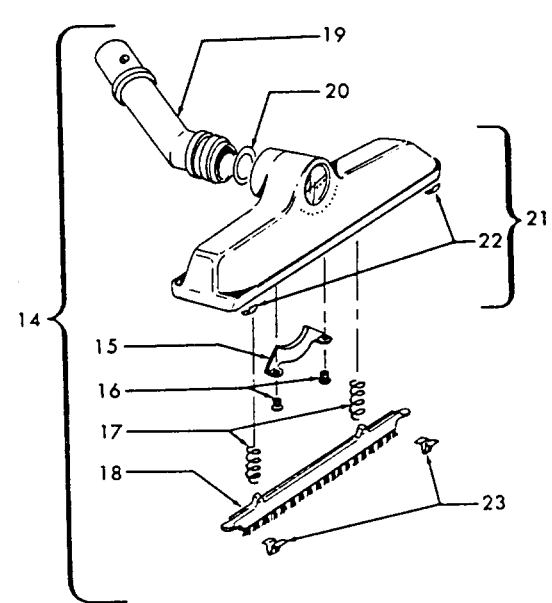
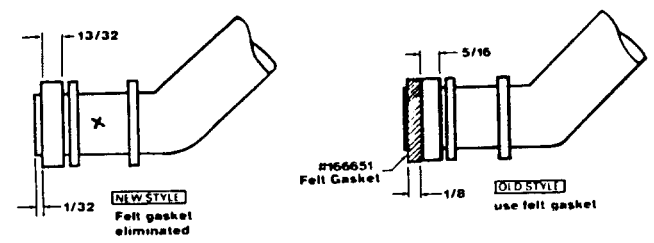
| Ref. No. | Part No. | Description  | Ref. No. | Part No.              | Description  |
|----------|----------|--|----------|-----------------------|--|
| 1        | 15665LL  | + Handle - 2900, 2901, 2904, 2910, 2911, 2950  | 32       | 21312719              | +* Washer  |
|          | 161412LL | + Handle - 2941  | 33       | 15851                 | +* Bearing Retainer  |
|          | 161412DM | + Handle - 2960  | 34       | 24117209              | + Bearing  |
|          | 166791EK | + Handle - 2980  | 35       | 15295                 | * Felt Washer  |
|          | 48646008 | Handle - S2003, S2005  | 36       | 15272                 | + Mtr. Casing & Field Assm. (Used on the following Models until 6/72 - 2900, 2901, 2904, 2910, 2911, 2941, 2950, 2960, 2980) Toggle Switch |
|          | 48645023 | Handle - S2007   |          | 45312021              | Mtr. Casing & field Assm.- Toggle Switch   |
|          | 48646012 | + Handle - S2011   |          | 45312055              | Mtr. Casing & Field Assm. Model S2015 's equipped w/Slide Switch   |
| 2        | 48643084 | Handle - S2015, S2013, S2085   |          | 45312033              | + Motor Case & Field Assm. - S2085   |
|          | 12230JM  | + Handle Grip -S2003, S2005, S2011, S2013  | 37       | 31722007              | * Insulator  |
|          | 12230DS  | + Handle Grip  | 38       | 15317                 | +* Switch Pad (Toggle Switch)  |
| 3        | 15738EF  | +* Screw (3)   | 39       | 12971                 | Switch (Toggle)  |
| 4        | 12226    | + Strain Relief Bushing  | 40       | 161350                | +* Terminal (2) - Toggle Switch  |
|          | 163768   | Strain Relief -S2011, S2013, S2015, S2085  | 41       | 36153009              | Latch Ring   |
| 5        | 46383068 | Attach. Cord   | 42       | 15650                 | Bag Support - Long - 2900, 2941, 2950, 2960, 2980, S2003, S2005, S2011, S2013  |
| 6        | 42227070 | + Closure Plate - Common - One Speed Toggle Switch   |          | 15327                 | + Bag Support - Short -2901, 2904, 2910, 2911, S2007, S2015, S2085   |
|          | 42227098 | Closure Plate/Latch Ring - One Speed Model S2015 's equipped w/Slide Switch  | 43       | 4010007F              | Throw Away Bag - 3 Pack - Long   |
|          | 42227090 | Closure Plate/Latch Ring - S2085   |          | 4010008G              | Throw Away Bag - 3 Pack - Short  |
| 7        | 48969    | * Wire Nut   | 44       | 17295                 | + Bag Sealing Collar   |
| 8        | 42222057 | + Motor Housing - 2900, 2911, 2941, 2960, 2980, S2003, S2005   | 45       | 15311JM               | + Bag Gasket   |
|          | 161252JM | + Motor Housing - 2901, 2904, 2910, S2007  | 46       | 18351JM               | + Bag Housing - Short - 2901, 2904, 2910, 2911, S2015, S2085   |
|          | 162909AR | + Motor Housing - 2950   |          | 164538DR              | + Bag Housing - Short - S2007  |
|          | 42221011 | Motor Housing - CD - S2011   |          | 15652LL               | + Bag Housing - Long - 2900, 2941, 2960  |
|          | 42221021 | + Motor Housing - DS - S2013   |          | 163163DS              | + Bag Housing - Long - S2013   |
|          | 42221073 | + Motor Housing w/Thermal Protector -S2015   |          | 163753LL              | + Bag Housing - Long - 2950  |
|          | 42222149 | Motor Housing w/Thermal Protector -S2085   |          | 166787EK              | + Bag Housing - Long - 2980  |
| 9        | 16195    | +* Rivet (2)   |          | 42223007              | + Bag Housing - CD - S2003, S2011  |
| 10       | 12954    | * Screw (2)  |          | 42223011              | + Bag Housing - Long - S2005   |
| 11       | 15331AY  | Latch (2)  | 47       | 28177005              | + Switch (Slide) - Late Model S2015 's   |
| 12       | 161549   | + Washer (2)   |          | 47517014              | Switch w/Diode - S2085   |
|          | 21312758 | +* Washer (2) - S2085  | 48       | 37922002              | Terminal Shield - Late Model S2015 's, S2085   |
| 13       | 49435    | +* Cotter Pin (2) NA. on Model S2015 's equipped w/Slide Switch & Model S2085  | 49       | 27666702              | * Terminal - Late Model S2015 's, S2085  |
| 14       | 15316    | + Motor Mount  | 50       | 28382028              | Thermal Protector - Late Model S2015 's, S2085   |
| 15       | 15275AG  | + Brush Holder (2)   |          | ITEMS NOT ILLUSTRATED |  |
|          | 161749AG | + Brush Holder (2) Model S2015 's equipped w/Slide Switch; S2085   |          | 17457                 | + Bag Comp. - Cloth (Incl. 17209)  |
| 16       | 17353    | Motor Brush & Spring (2)   |          | 17209                 | + Bag Collar - Cloth Bag   |
|          | 47311004 | Mtr. Brush & Spring (2) Model S2015 's equipped w/Slide Switch; S2085  |          | 161336                | + Cloth Bag  |
| 17       | 12227    | Terminal (2)   |          | 12763AW               | * Rivet (Handle)   |
|          | 161876   | + Terminal (2) Model S2015 's equipped w/Slide Switch; S2085   |          | 16547                 | + Medallion  |
| 18       | 15894    | +* Mtr Brush Retainer (2) N/A on Model S2015 's equipped w/Slide Switch & model S2085                                    |          | 163418AW              | + Stand - 2950   |
| 19       | 162911   | + Screw (2)  |          | 163435AY              | + Cap (Use w/163418AW) - 2950  |
| 20       | 163416   | Clip (2)   |          | 15997                 | Secondary Filter   |
|          | 15744    | + Clip (2) (Used on the following Models until 6/72 - 2900, 2901, 2904, 2910, 2911, 2941, 2950, 2960, 2980)              |          | 168317                | +* Screw (Use w/17094 Motor Shield & 15272 Motor Casing/Field)   |
| 21       | 21312759 | +* Washer (2)  |          | 17094                 | + Motor Shield (Use w/15272 Motor Casing/Field)  |
| 22       | 162910   | +* Nut (2)   |          | 43576019              | + Motor Assm. Comp. - Single Speed - Toggle Switch   |
| 23       | 12012    | +* Absorbent Washer  |          | 43576051              | Motor Assm. Comp. - Single Speed - Model S2015 's equipped w/Slide Switch  |
| 24       | 15850    | + Bearing Retainer Support   |          | 43576021              | + Motor Assm. Comp. - Two Speed - S2085  |
| 25       | 15278    | * Fiber Washer (2)   |          |                       |  |
| 26       | 49344    | +* Insulator   |          |                       |  |
|          | 31148006 | Spacer - S2085   |          |                       |  |
| 27       | 44731003 | Armature & Fan Assm.   |          |                       |  |
| 28       | 15293    | + Fan Hsg. & Brg. Assm. (Used on the following Models until 6/72 - 2900, 2901, 2904, 2910, 2911, 2941, 2950, 2960, 2980) |          |                       |  |
|          | 163441   | Fan Housing & Bearing Assm.  |          |                       |  |
| 29       | 15315    | + Motor Gasket   |          |                       |  |
| 30       | 15326BZ  | + Bulkhead (Req. Secondary Filter 15997)   |          |                       |  |
|          | 19586AG  | + Bulkhead - 2904, 2910 (Req. Secondary Filter 15997)  |          |                       |  |
|          | 166116AG | + Bulkhead - S2003, S2005, S2007, S2011, S2013, S2015, S2085   |          |                       |  |
| 31       | 15330    | + Bag Housing Gasket   |          |                       |  |

# Rug & Floor Nozzle

Models 2910, S2005, S2007, S1021, S1021-030, S2013, S2015, S2029, S2031, S2033, S2047, S2053, S2053-032, S2053-042, S2053-942, S2055, S2057, S2085



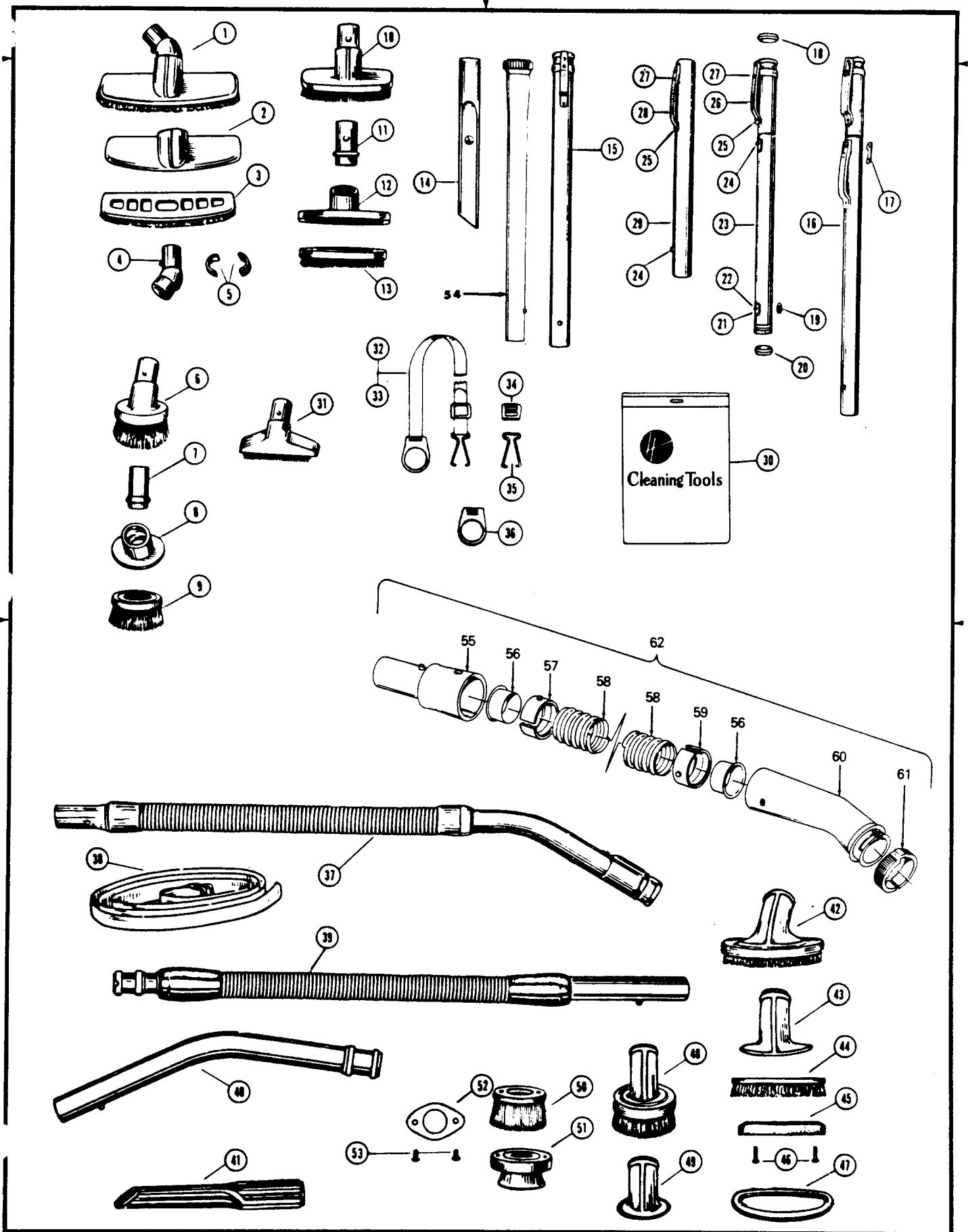
"NOTE"  
ITEM 19



# Rug & Floor Nozzle

# Models 2910, S2005, S2007, S1021, S1021-030, S2013, S2015, S2029, S2031, S2033, S2047, S2053, S2053-032, S2053-042, S2053-942, S2055, S2057, S2085

| Ref. | Part Description     | No. | No.  | Ref. | Part Description | No. | No.  |
|------|----------------------|-----|--|------|------------------|-----|--|
| 1    | 43414101             | +   | Rug & Floor Nozzle Comp. - AAP - S2031   | 29   | 38615101         |     | Rug & Floor Nozzle - S2029, S2053, S2055                       |
| 2    | 38615156             |     | Nozzle - JM - S2031  |      | 169260FN         | +   | Rug & Floor Nozzle   |
| 3    | 16214                | +   | Gasket - S2031   |      | 38615164         |     | Rug & Floor Nozzle - S2053-042, S2053-942                      |
| 4    | 15963FW              | +   | Spring (2) - S2031   | 30   | 34112001         | *   | Seal - Foam - S2029, S2053, S2053-042, S2053-942, S2055        |
| 5    | 13261AY              | *   | Rug Nozzle Rib Shoe (2) - S2031  |      |                  |     |  |
| 6    | 16184                |     | Brush Back Assm. - S2031   | 31   | 34223002         | +   | Seal - Felt (2) - S2029, S2053, S2053-042, S2053-942, S2055    |
| 7    | 161413               | ++  | Nozzle Tube Retainer - S2031   | 32   | 169250AG         | +   | Brush Housing - S2029, S2053, S2053-042, S2053-942, S2055      |
| 8    | 13272                | +   | Roller Shaft (2) - S2031   | 33   | 43414101         | +   | Rug & Floor Nozzle Comp. - AAP - S2029, S2053                  |
| 9    | 42246002             | +   | Bottom Plate - Edge Cleaning - S2031   |      | 48476053         | +   | Rug & Floor Nozzle Comp. - JZ                                  |
| 10   | 13157AG              |     | Roller (2) - S2031   |      | 48476054         | +   | Rug & Floor Nozzle Comp. - FN S2055                            |
| 11   | 43463012             | +   | Nozzle Connector Tube - JM - S2031   |      | 48476091         | +   | Rug & Floor Nozzle Comp. - MX - S2053-042, S2053-942           |
| 12   | 13267                | ++  | Gasket - S2031   | 34   | 169253AY         | ++  | Rib Shoe (2) - S2029, S2053, S2053-042, S2053-942, S2055       |
| 13   | 12955                | *   | Screw - Self Tapping (4) - S2031   | 35   | 169256           |     | Brush Back Comp. - S2029, S2053, S2053-042, S2053-942, S2055   |
| 14   | 0M114169             |     | Rug & Floor Nozzle Comp. - ABE - 2910, S2005, S2007, S1021, S1021-030, S2013, S2015, S2033, S2047, S2053-032, S2057, S2085 | 36   | 169247JM         | +   | Furniture Guard - Litter Picker                                |
| 15   | 166650AY             | +   | Connector Tube Clamp - 2910, S2005, S2007, S1021, S1021-030, S2013, S2015, S2033, S2047, S2053-032, S2057, S2085           | 37   | 169247AG         | +   | Furniture Guard - Litter Picker                                |
| 16   | 166648AW             | +   | Screw - Self Tapping (2) - 2910, S2005, S2007, S1021, S1021-030, S2013, S2015, S2033, S2047, S2053-032, S2057, S2085       | 38   | 169251           | +   | Gasket - S2029, S2053, S2053-042, S2053-942, S2055             |
| 17   | 166649FW             |     | Spring (2) - 2019, S2005, S2007, S1021, S1021-030, S2013, S2015, S2029, S2033, S2047, S2053-032, S2057, S2085              | 39   | 169538           | +   | Bottom Plate Assm. - S2029, S2053, S2053-042, S2053-942, S2055 |
| 18   | 166656               |     | Brush Block - 2910, S2005, S2007, S1021, S1021-030, S2013, S2015, S2033, S2047, S2053-032, S2057, S2085                    | 40   | 21481464         | +   | Screw (2) - S2029, S2053, S2053-042, S2053-942, S2055          |
| 19   | 166652JM             |     | Nozzle Tube - 2910, S2005, S2007, S1021, S1021-030, S2013, S2015, S2033, S2047, S2057 (See Note)                           | 41   | 21481465         | +   | Screw (2) - S2029, S2053, S2053-042, S2053-942, S2055          |
| 20   | 166651               |     | Gasket - Felt - 2910, S2005, S2007, S1021, S1021-030, S2013, S2015, S2033, S2047, S2057                                    | 42   | 169243AG         |     | Roller - S2029, S2053, S2053-042, S2053-942, S2055             |
| 21   | 43482057             | +   | Nozzle, Lock, Pad Assm. - 2910, S2005, S2007, S1021, S1021-030, S2013, S2015, S2033, S2047, S2053-032, S2057, S2085        | 43   | 21312758         | ++  | Washer - S2029, S2053, S2053-042, S2053-942, S2055             |
| 22   | 34121001             |     | Pad - Felt (2) - 2910, S2005, S2007, S1021, S1021-030, S2013, S2015, S2033, S2047, S2053-032, S2057, S2085                 | 44   | 169244AW         |     | Roller Shaft - S2029, S2053, S2053-042, S2053-942, S2055       |
| 23   | 166646               |     | Brush Retainer Clips (2) - 2910, S2005, S2007, S1021, S1021-030, S2013, S2015, S2033, S2053-032, S2047, S2085              | 45   | 24735081         | *   | Lock Ring - S2029, S2053, S2053-042, S2053-942, S2055          |
| 24   | 34113001             | +   | Seal-Foam - S2029, S2053, S2055  | 46   | 34513001         |     | Seal - Foam L.H. - S2029, S2053, S2053-042, S2053-942, S2055   |
| 25   | 169241AW             | *   | Washer (2) - S2029, S2053, S2053-042, S2053-942, S2055   | 47   | 34513002         |     | Seal - Foam R.H. - S2029, S2053, S2053-042, S2053-942, S2055   |
| 26   | 169239JR<br>169239AG | +   | Wheel (2) - S2029<br>Wheel - S2053, S2053-042, S2053-942, S2055  | 48   | 169240AY         | +   | Wheel Shaft (2) - S2029, S2053, S2053-042, S2053-942, S2055    |
| 27   | 13730                | *   | Lock Ring (2) - S2029, S2053, S2053-042, S2053-942, S2055  | 49   | 169249JM         | +   | Connecting Tube Assm. - S2029, S2053-042, S2053-942, S2055     |
| 28   | 169242               |     | Wheel Cover (2) - S2029, S2053, S2053-042, S2053-942, S2055  | 50   | 43486002         | +   | Connecting Tube Assm. - S2053                                  |
|      |                      |     |  |      | 34122006         | +   | Seal - S2029, S2053, S2053-042, S2053-942, S2055               |
|      |                      |     |  |      | 43271042         | +   | Suction Control Knob - JX - S2055                              |
|      |                      |     |  |      | 169254JM         | +   | Suction Control Knob - S2029, S2053, S2053-042, S2053-942      |



## Cleaning Tools & Hose Assembly

## Hand & Stick Cleaners

| Ref. No. | Part No. | Description   | Ref. No. | Part No. | Description                      |
|----------|----------|---|----------|----------|----------------------------------|
| 1        | 13077JM  | + Bare Floor Brush                                  | 28       | 36152018 | Tube Latch - Outer               |
|          | 43414073 | Floor Brush Assm.                                   | 30       | 58544004 | + Cleaning Tool Bag              |
|          | 13155JM  | + Floor Brush Nozzle & Brush Assm. (Use w/ 3077J M) | 31       | 43414057 | Furniture Nozzle Assm.           |
| 3        | 13253AG  | + Floor Brush Face                                  | 32       | 15671JM  | Carrying Strap Comp.             |
| 4        | 13154JM  | + Floor Brush Swivel & Collar (Use w/13077JM)       | 33       | 15667DM  | + Carrying Strap                 |
|          | 38644040 | Swivel Connector (Use w/48473025)                   |          | 15667HH  | + Carrying Strap                 |
| 5        | 13276    | Floor Brush Swivel Bushing (Use w/13154JM)          |          | 15667A   | + Carrying Strap                 |
|          | 33712007 | Split Ring (Use w/38644040)                         | 34       | 15668    | +* Strap Buckle                  |
| 6        | 161851JM | + Dusting Brush                                     | 35       | 15670    | Strap Hook                       |
|          | 43414064 | Dusting Brush (One Piece)                           | 36       | 15669JM  | Strap Ring                       |
| 7        | 13149JM  | Nozzle Connector Tube (Use w/161851JM)              | 37       | 15584JM  | + Hose Comp.                     |
| 8        | 13150LL  | + Dusting Brush Nozzle (Use w/161851JM)             | 38       | 48398A   | + Carrying Strap - 1001, 1002    |
|          | 13263BZ  | + Brush (Use w/ 61851 JM)                           | 39       | 22930    | + Hose Comp. - 1001, 1002        |
| 10       | 161852JM | + Furniture Brush                                   | 40       | 34404    | + Extension Tube Curved          |
|          | 43414016 | Furniture Brush - AG                                | 41       | 34547    | + Crevice Tool                   |
| 11       | 13149JM  | Connector Tube (Use w/161852JM)                     | 42       | 34544A   | + Furniture Brush Comp.          |
| 12       | 161852JM | + Furniture Brush Comp.                             | 43       | 20486A   | + Furniture Brush Nozzle         |
| 13       | 13254BZ  | + Brush (Used w/161852JM)                           | 44       | 31598    | + Furniture Brush Back           |
| 14       | 38617017 | Crevice Tool  | 45       | 20493    | + Furniture Brush Support        |
| 15       | 43453027 | Extension Tube (Aluminum)                           | 46       | 47151    | +* Screws                        |
| 16       | 43458001 | Extension Tube Comp.                                | 47       | 34542T   | + Furniture Brush Guard          |
| 17       | 12589    | Tube Guide  | 48       | 47672A   | + Dusting Brush Comp.            |
| 18       | 112845JM | + Gasket - Outer                                    | 49       | 20483    | + Dusting Brush Nozzle           |
| 19       | 21312704 | * Washer  | 50       | 31599    | + Dusting Brush Back             |
| 20       | 12844JM  | + Gasket - Inner                                    | 51       | 22762    | + Dusting Brush Guard            |
| 21       | 12824    | +* Reinforcement Plate                              | 52       | 44503    | + Skirt Retainer                 |
| 22       | 12600    | * Rivet   | 53       | 48963    | +* Screws                        |
| 23       | 12598    | + Extension Tube - Inner                            | 54       | 3863801P | Extension Tube (Polystyrene)     |
| 24       | 12763AW  | Rivet   | 55       | 38634054 | Hose Connector                   |
| 25       | 12783    | +* Rivet  | 56       | 32156010 | Hose Sleeve (2)                  |
| 26       | 12846AG  | Tube Latch - Inner                                  | 57       | 12615BZ  | Hose Connector Collar            |
| 27       | 12772    | +* Rivet  | 58       | 43431174 | + Hose                           |
|          |          |   | 59       | 36116006 | Hose Connector Collar            |
|          |          |   | 60       | 43466055 | + Hose Connector                 |
|          |          |   | 61       | 36153009 | Latch Ring                       |
|          |          |   | 62       | 43434206 | + Cleaning Tool Hose Assm. Comp. |