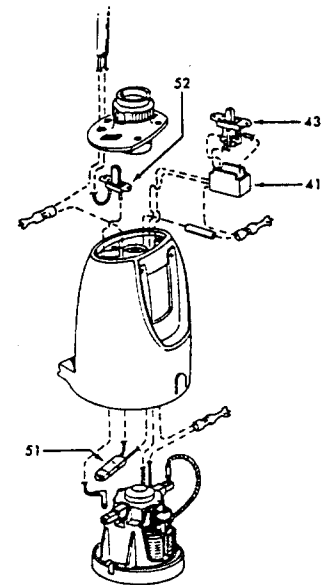
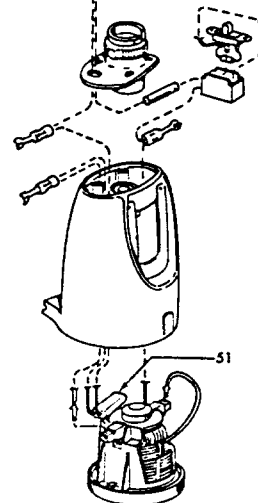


THREE SPEED - TWO SWITCHES
MODEL S2087, S2087-900



LATE MODEL S2039's
W/THERMAL PROTECTOR



Ref.	Part Description	No.	No.
1	12230JM	+	Handle Grip
2	48646026 48646066	+	Handle/Grip Assm. Handle/Grip Assm. - S2087, S2087-900
3	46383068		Attach. Cord
4	163768		Strain Relief
5	36153009		Latch Ring
6	42227090 42227086		Closure Plate/Latch Ring Closure Plate/Latch Ring - S2087, S2087-900
7	12227		Insulated Terminal
8	42222100 42222010		Motor Housing Assm. Motor Housing Assm. - S2087, S2087-900
9	12954	*	Screw - Self Tapping
10	31514001		Hinge Pin
11	161549 21312758	+ +*	Washer Washer - S2087, S2087-900
12	15316	+	Motor Mount
13	161749AG	+	Brush Holder
14	47311004		Motor Brush & Spring
15	161876	+	Terminal
16	162911 21312759 162910	+ +* +*	Screw Washer Nut
17	15278	*	Fiber Washer
18	49344 31148006	+* +	Insulator Insulator - S2087, S2087-900
19	44731003		Armature & Fan
20	163441		Fan Housing & Bearing Assm.
21	15315	+	Motor Gasket
22	163416		Clip
23	19586AG	+	Bulkhead
24	15330	+	Bag Housing Gasket
25	21312719	+*	Washer
26	15850	+	Bearing Retainer Support
27	12012	+*	Absorbent Washer
28	15851	+*	Bearing Retainer
29	24117209	+	Motor Bearing
30	15295	*	Felt Washer
31	45312033 43576075	+	Motor Case & Field Assm. Motor Case & Field Assm. - S2087, S2087-900
32	23715105		Latch
33	21447003	*	Screw - Self Tapping
34			Pop Rivet - 1/8" Dia. x 3/8" Long
35	48662006 48662039		Handle/Muffler Assm. (Incl. Items 36, 37,38,39,40) Handle/Muffler Assm. - S2087, S2087-900 (incl. Items 36,37,38,39,40)
36	34544001 34544002		Exhaust Diffuser - L. H. Exhaust Diffuser - R.H. (Shown)
37	34123013		Handle & Muffler Foam Seal (2)
38	34123012		Handle & Muffler Foam Seal
39	39383034		Indicator Lens - BU
40	51151045	+	Full Bag Indicator - BZ

Ref.	Part Description	No.	No.
41	37922002		Terminal Shield
42	27666702	*	Terminal
43	47517014 47517016		Hi-Low - Off Switch Switch (3 Speed) - S2087, S2087-900
44	15738EF	+*	Screw - Self Tapping
45	43615001		Cassette Assm.
46	43523001	+	Adapter Tube & Valve
47	32352001		Cassette Gasket
48	42223101 42223112		Bag Housing Assm. - JZ Bag Housing Assm. - MX - S2087, S2087-900
49	4010002E		Throw Away Bag - (3-Pk.)
50	31722007	*	Insulator
51	28382028		Thermal Protector
52	28178003		Switch (On-Off) - S2087, S2087-900

ITEMS NOT ILLUSTRATED

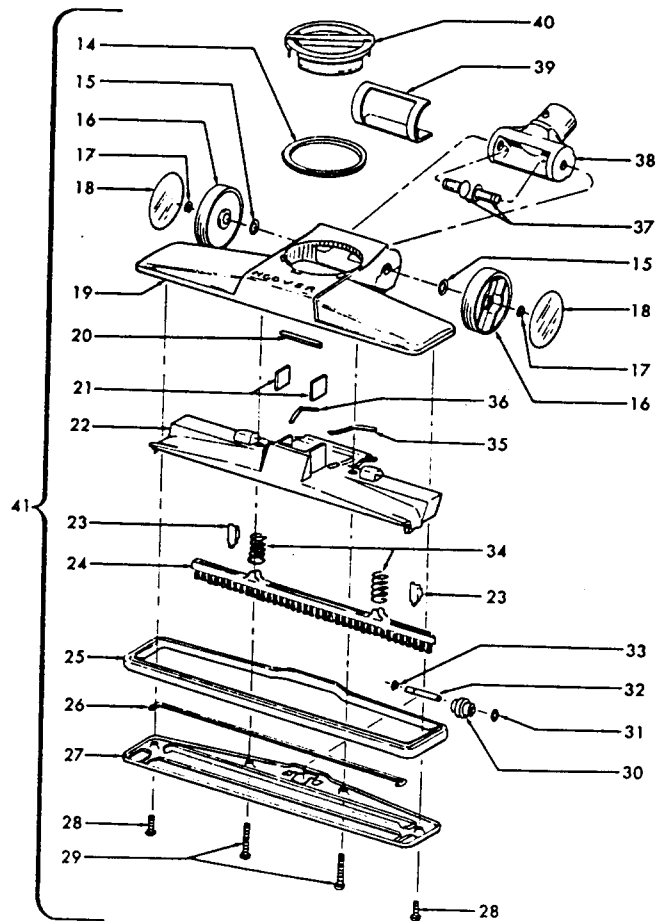
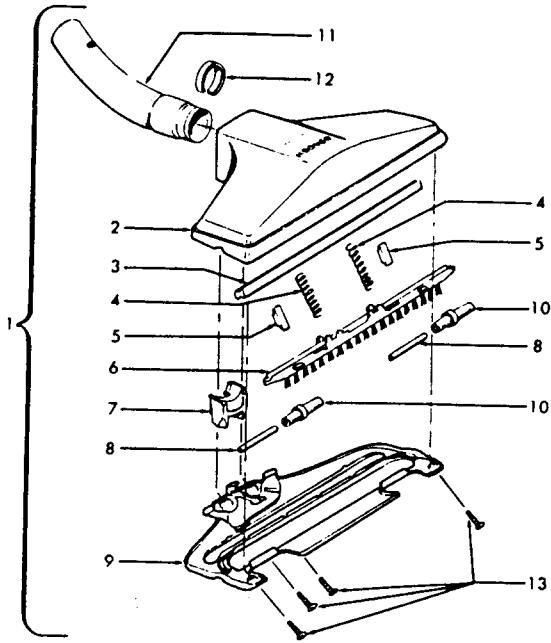
43576021	+	Motor Assm. Comp. - Two Speed
43576067		Motor Assm. Comp. - Three Speed - S2087, S2087-900
52135017	+	Decal (Handle/Muffler Assm.)
52135034		Decal (Handle/Muffler Assm.) - S2087, S2087-900
21447026	+*	Screw - Self Tapping (2) (Secures Item 35 Handle/Muffler Assm. to Item 8 Motor Housing Assm.)

PACKAGING MATERIAL

58126051	+	Carton
58365002		Carton Support
56512053	+	Owner Manual
56512121	+	Owner Manual - S2087, S2087-900

Rug & Floor Nozzle

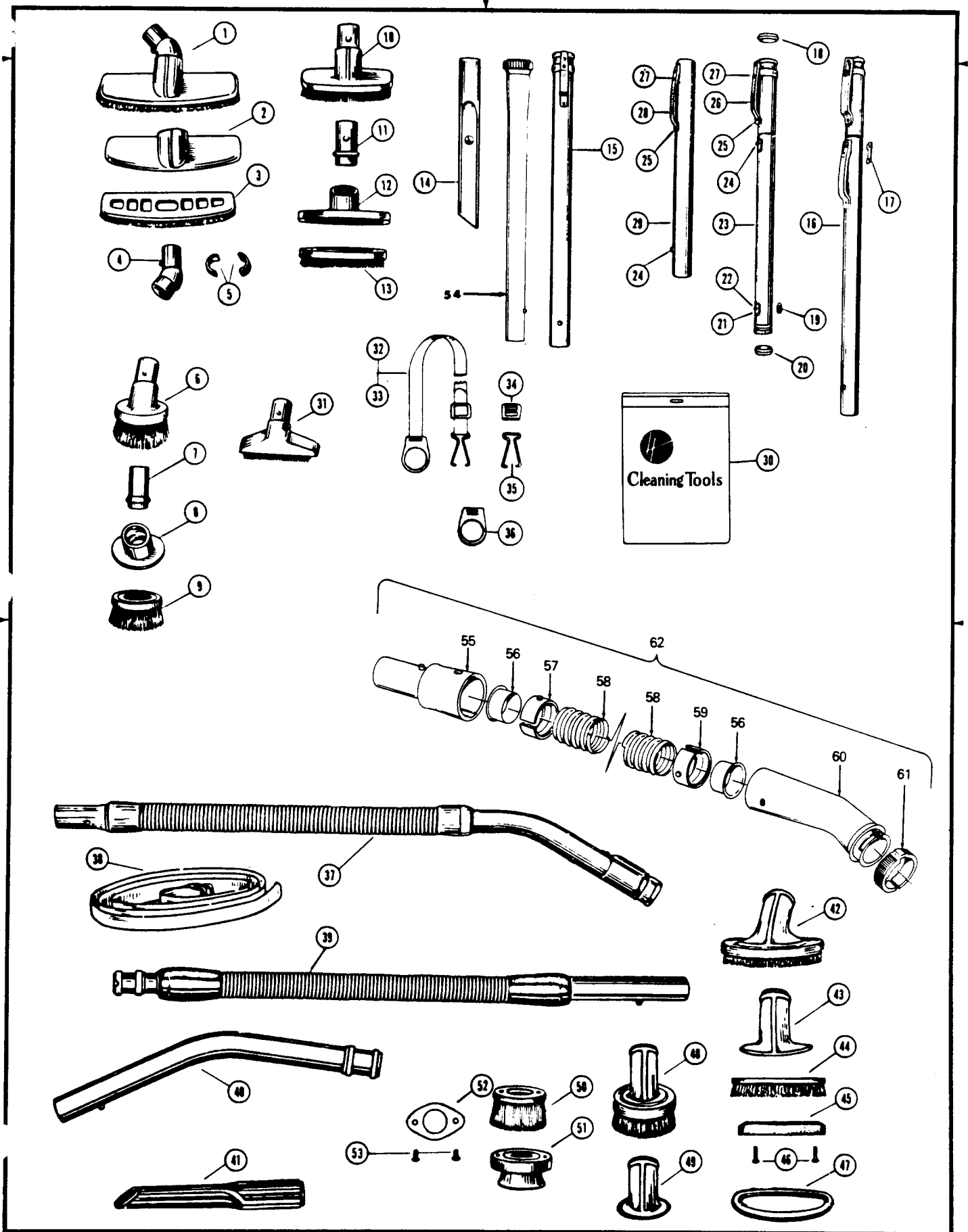
Models S2001, S2003, S2009, S2011, S2039, S2041, S2087, S2087-900



Rug & Floor Nozzle

Model S2001, S2003, S2009, S2011, S2039, S2041, S2087, S2087-900

Ref. No.	Part No.	Description	Ref. No.	Part No.	Description
1	48476030	+ Rug & Floor Nozzle Comp. - CD - S2011	25	169247JM	+ Furniture Guard
	43414101	+ Rug & Floor Nozzle - AAP - S2003, S2041		169247AG	+ Furniture Guard
2	38615006	+ Nozzle - EK - S2003	26	169251	+ Gasket - S2001, S2009, S2039, S2087, S2087-900
	38615030	+ Nozzle - KZ - S2041	27	169538	+ Bottom Plate - S2001, S2009, S2039, S2087, S2087-900
	38615032	+ Nozzle - CD - S2011	28	21481464	+ Screw - S2001, S2009, S2039, S2087, S2087-900
3	16214	+ Gasket - S2003, S201 1, S2041	29	21481465	+ Screw - S2001, S2009, S2039, S2087, S2087-900
4	15963FW	+ Spring - S2003, S201 1, S2041	30	169243AG	Roller - S2001, S2009, S2039, S2087, S2087-900
5	13261AY	* Rib Shoe - S2003, S201 1, S2041	31	21312758	+* Washer - S2001, S2009, S2039, S2087, S2087-900
6	16184	Brush Back - S2003, S201 1, S2041	32	169244AW	Roller Shaft - S2001, S2009, S2039, S2087, S2087-900
7	161413	+* Tube Retainer - S2003, S2011, S2041	33	24735081	* Lock Ring - S2001, S2009, S2039, S2087, S2087-900
8	13272	+ Roller Shaft - S2003, S201 1, S2041	34	166649FW	Spring - S2001, S2009, S2039, S2087, S2087-900
9	42246002	+ Bottom Plate - S2003, S201 1, S2041	35	34513001	Seal - L.H. - S2001, S2009, S2039, S2087, S2087-900
10	13157AG	+ Roller - S2003, S201 1, S2041	36	34513002	Seal - R.H. - S2001, S2009, S2039, S2087, S2087-900
11	16269JM	Connector Tube	37	169240AY	+ Wheel Shaft - S2001, S2009, S2039, S2087, S2087-900
12	13267	+* Gasket - S2003, S201 1, S2041	38	169249JM	+ Connector Tube
13	12955	* Screw - S2003, S201 1, S2041	39	34122006	Seal- S2001, S2009, S2039, S2087-900
14	34113001	+ Seal- S2001, S2009, S2039	40	169254JM	+ Suction Control Knob
15	169241AW	* Washer - S2001, S2009, S2039, S2087, S2087-900	41	169254MX	+ Suction Control Knob
16	169239AG	Wheel		43414101	+ Rug/Floor Nozzle
17	13730	* Lock Ring - S2001, S2009, S2039, S2087, S2087-900		48476053	+ Rug/Floor Nozzle Comp. - JZ
18	169242	Wheel Cover - S2001, S2009, S2039, S2087, S2087-900			
19	38615101	Nozzle - S2001, S2009, S2039			
	38615164	Nozzle - MX - S2087, S2087-900			
20	34112001	* Seal - S2001, S2009, S2039, S2087, S2087-900			
21	34223002	+ Seal - S2001, S2009, S2039, S2087, S2087-900			
22	169250AG	+ Brush Housing - S2001, S2009, S2039, S2087, S2087-900			
23	169253AY	+* Rib Shoe - S2001, S2009, S2039, S2087, S2087-900			
24	169256	+ Brush Back - S2001, S2009, S2039, S2087, S2087-900			



Cleaning Tools & Hose Assembly

Hand & Stick Cleaners

Ref. No.	Part No.	Description	Ref. No.	Part No.	Description
1	13077JM	+ Bare Floor Brush	28	36152018	Tube Latch - Outer
	43414073	Floor Brush Assm.	30	58544004	+ Cleaning Tool Bag
	13155JM	+ Floor Brush Nozzle & Brush Assm. (Use w/ 3077J M)	31	43414057	Furniture Nozzle Assm.
3	13253AG	+ Floor Brush Face	32	15671JM	Carrying Strap Comp.
4	13154JM	+ Floor Brush Swivel & Collar (Use w/13077JM)	33	15667DM	+ Carrying Strap
	38644040	Swivel Connector (Use w/48473025)		15667HH	+ Carrying Strap
5	13276	Floor Brush Swivel Bushing (Use w/13154JM)		15667A	+ Carrying Strap
	33712007	Split Ring (Use w/38644040)	34	15668	+* Strap Buckle
6	161851JM	+ Dusting Brush	35	15670	Strap Hook
	43414064	Dusting Brush (One Piece)	36	15669JM	Strap Ring
7	13149JM	Nozzle Connector Tube (Use w/161851JM)	37	15584JM	+ Hose Comp.
8	13150LL	+ Dusting Brush Nozzle (Use w/161851JM)	38	48398A	+ Carrying Strap - 1001, 1002
	13263BZ	+ Brush (Use w/ 61851 JM)	39	22930	+ Hose Comp. - 1001, 1002
10	161852JM	+ Furniture Brush	40	34404	+ Extension Tube Curved
	43414016	Furniture Brush - AG	41	34547	+ Crevice Tool
11	13149JM	Connector Tube (Use w/161852JM)	42	34544A	+ Furniture Brush Comp.
12	161852JM	+ Furniture Brush Comp.	43	20486A	+ Furniture Brush Nozzle
13	13254BZ	+ Brush (Used w/161852JM)	44	31598	+ Furniture Brush Back
14	38617017	Crevice Tool	45	20493	+ Furniture Brush Support
15	43453027	Extension Tube (Aluminum)	46	47151	+* Screws
16	43458001	Extension Tube Comp.	47	34542T	+ Furniture Brush Guard
17	12589	Tube Guide	48	47672A	+ Dusting Brush Comp.
18	112845JM	+ Gasket - Outer	49	20483	+ Dusting Brush Nozzle
19	21312704	* Washer	50	31599	+ Dusting Brush Back
20	12844JM	+ Gasket - Inner	51	22762	+ Dusting Brush Guard
21	12824	+* Reinforcement Plate	52	44503	+ Skirt Retainer
22	12600	* Rivet	53	48963	+* Screws
23	12598	+ Extension Tube - Inner	54	3863801P	Extension Tube (Polystyrene)
24	12763AW	Rivet	55	38634054	Hose Connector
25	12783	+* Rivet	56	32156010	Hose Sleeve (2)
26	12846AG	Tube Latch - Inner	57	12615BZ	Hose Connector Collar
27	12772	+* Rivet	58	43431174	+ Hose
			59	36116006	Hose Connector Collar
			60	43466055	+ Hose Connector
			61	36153009	Latch Ring
			62	43434206	+ Cleaning Tool Hose Assm. Comp.