

Ref. No.	Part No.	Description
1	48655223	Handle Assm. - Upper Half - Metal
	48655232	Handle Assm. - Upper Half - Molded
2	46363148	Cord Assm. - JM
3	27482301	Strain Relief Bushing
4	21447003	* Screw - Self Tapping (4)
5	39454006	Handle Grip
6	37258082	+ Terminal Shield
7	281770KD	Switch
8	21631302	Handle Bolt - AW/WAY
9	37226058	Handle Cover
10	12227	Insulated Terminal (3)
11	32277021	Handle Clamp Bolt Nut - AW/WAY (2)
12	37225008	Bag Cap Outer - AAP
13	38781012	Gasket
14	37225010	Bag Cap Inner - BZ
15	38315012	+ Spring - Compression
16	32458003	+ Handle - Upper Half - Molded
	48631138	+ Handle - Upper Half - Metal (Incl. Spiral Pin)
17	46312003	Motor Lead Wire Assm. Comp.
18	43662032	Bag Assm.
19	21434288	+* Screw - Self Tapping
20	36171046	Clamp Band - AAP
21	41424036	Bag Support Assm. - JM (incl. Item 25)
22	34123036	Gasket
23	32355012	Handle - Lower Half - Molded
	31756023	Handle - Lower Half - Metal
24	21434287	* Screw - Self Tapping - FW (8)
25	21329104	+* Washer - Fiber
26	38775044	+ Dirt Cup
27	21264022	Plastic Rivet - Use w/Molded Tube
	21261351	Plastic Rivet - Use w/Metal Tube
28	37196097	Motor Cover - JM
29	27479307	* Lead Wire Tie
30	38562023	Cam - MV
31	46143065	Lead Wire

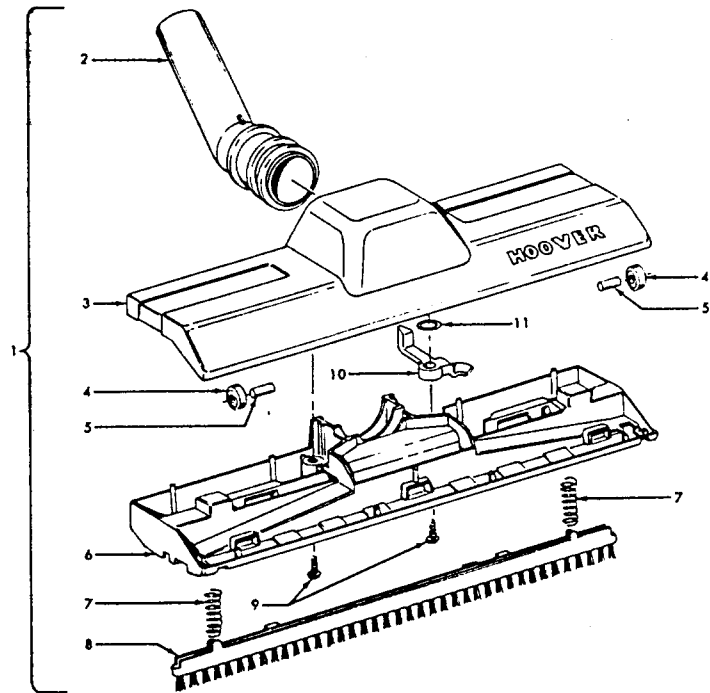
Ref. No.	Part No.	Description
32	38452090	Lever
33	47318022	+ Motor Brush & Spring Assm. (2)
34	34152010	Insulator (2)
35	42196005	Motor Brush Housing Assm. - AG
36	45312099	Field Assm. Comp.
37	21338030	* Lockwasher (2)
38	21479438	* Screw (2)
39	44731073	Armature Assm. Kit (incl. Items 40,41,43)
40	21378012	C-Clip w/Flat
	21378010	C-Clip (Early Models)
41	21378013	C-Clip Retainer w/tabs
	21378011	C-Clip Retainer (Early Models)
42	37193009	+ Motor Housing - JM
43	43265006	+ Bearing Plate Assm.
	42193022	+ Bearing Plate Assm. (Early Models)
44	21434288	+* Screw - Self Tapping (4)
45	31146008	Spacer
46	38755018	Fan - AG
47	37196088	Fan Cover - JM

ITEMS NOT ILLUSTRATED

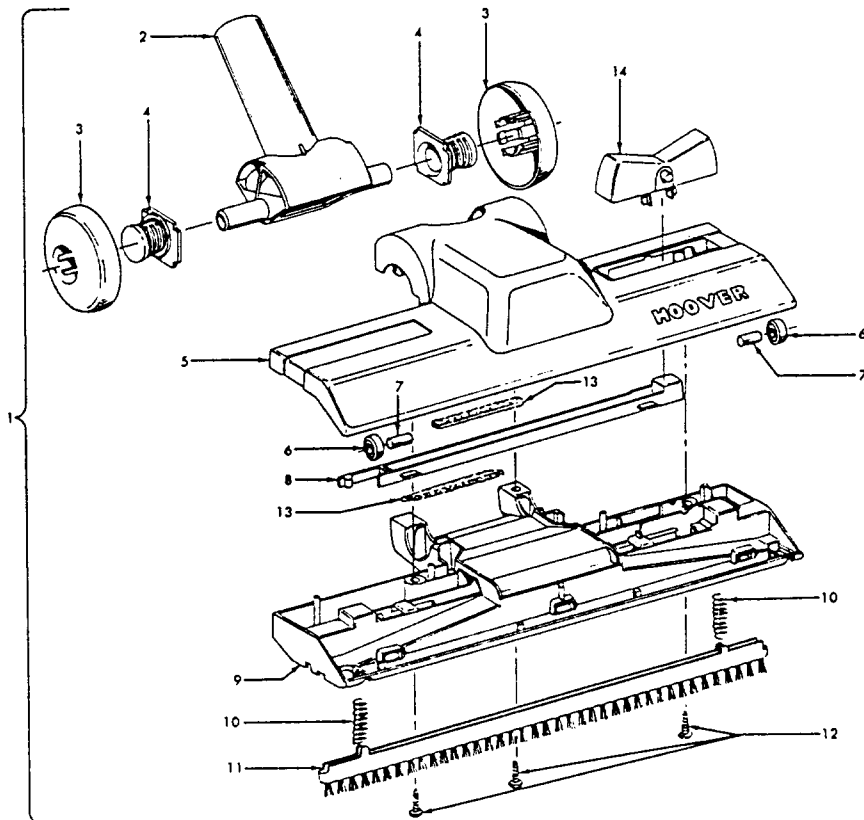
34264004	* Handle Separator - Used w/Metal Handle
21157003	* Spiral Pin - Used w/Metal Handle
38784043	Housing Gasket - Early Models

PACKAGING MATERIAL

58132047	+ Carton
58212006	+ Nozzle Support
58353011	+ Carton Support
58351023	+ End Support
56512127	Owner Manual



Model S2099



## Rug & Floor Nozzle

## Models S2095, S2097, S2103, S2131, S2135

Ref. No.	Part No.	Description
1	43414180	Rug & Floor Nozzle - ABE
2	38646078	Nozzle Tube - AAP
3	38615153	+ Rug & Floor Nozzle - AAP
4	38521018	Roller (2)
5	31511004	Roller Axle-AY (2)
6	36414018	Brush Housing
7	166649FW	Spring (2)
8	48443003	Brush Back Assm. - AG
9	21447203	* Screw - Self Tapping (2)
10	38454004	Brush Back Lever - MV
11	21329105	+ Felt Washer

## Model S2099

Ref. No.	Part No.	Description
1	43414161	Deluxe Rug & Floor Nozzle Assm. - ABE/ABR
2	38646071	Nozzle Connector - AAP
3	43244043	Wheel & Bearing Assm. (2)
4	38511016	+ Wheel Bearing - AAT (2)
5	38615180	Rug & Floor Nozzle - AAP
6	38521018	Roller (2)
7	31511004	Roller Axle - AY (2)
8	38451008	Slider - AG
9	36414013	+ Brush Housing - MV
10	166649FW	Spring (2)
11	48443004	Brush Back Assm. - AG
12	21447203	* Screw - Self Tapping (3)
13	34122013	+ Seal (2)
14	38434015	Pedal - MV