

Ref. No.	Part No.	Description
1	48655231	Handle Assm. - Upper Half - Molded
	48655216	Handle Assm. - Upper Half - Metal
2	39454006	Handle Grip
3	21447003	* Screw - Self Tapping (4)
4	27482301	Strain Relief Bushing
5	46363148	Attachment Cord Assm. - JM
6	12227	Insulated Terminal (4)
7	37258082	Terminal Shield
8	27479307	* Lead Wire Tie
9	21631302	Handle Bolt - AW/AY
10	37226063	Handle Cover
11	28179022	Switch
12	32277021	Handle Nut - AW/AY
13	37225008	Bag Cap Outer - AAP
14	38781012	Gasket
15	37225010	Bag Cap Inner - BZ
16	38315012	+ Spring Compression
17	32458003	+ Handle - Upper Half - Molded
	48631138	+ Handle - Upper Half - Metal (incl. Spiral Pin)
18	46513006	Motor Lead Wire Assm. Comp.
19	43662032	Bag Assm. - S2097
	43662027	+ Bag Assm. - ABP - S2135
20	36171046	Clamp Band - AAP
21	41424038	Bag Support Assm. - NAA - S2097
	42223168	Bag Support Assm. - ABP - S2135
22	34123036	Gasket
23	31756023	Handle - Lower Half - Metal
	32355012	Handle - Lower Half - Molded
24	21434287	* Screw - Self Tapping - FW (8)
25	21329104	+* Washer - Fiber
26	21261351	Plastic Rivet - Use w/Metal Tube
	21264022	Plastic Rivet - Use w/Molded Tube
27	38775044	+ Dirt Cup
28	37196098	Motor Cover - NAA - S2097
	37196103	Motor Cover - AG - S2135
29	38562023	Cam - MV
30	46143065	Lead Wire
31	38452090	Lever
32	42196005	Motor Brush Housing Assm. - AG
33	47318022	+ Motor Brush & Spring Assm. (2)
34	34152010	Insulator (2)
35	45312098	Field - S2097, S2135 Before S/N 0993-57501
	45317036	Field - S2135 After S/N 0993-57501
36	21338030	* Lockwasher (2)

Ref. No.	Part No.	Description
37	21479439	+* Screw - S2097, S2135 Before S/N 0993-57501
	21479438	* Screw - S2135 After S/N 0993-57501
38	44731074	Armature Assm. Kit - S2097, S2135 Before S/N 0993-57501 (Incl. Items 30,40,42)
	44731073	Armature Assm. Comp. - S2135 After S/N 0993-57501
39	21378012	C-Clip w/Flat
	21378010	C-Clip (All Early Models)
40	21378013	C-Clip Retainer w/Tabs
	21378011	C-Clip Retainer (All Early Models)
41	37193010	Motor Housing - JM - S2097
	37193021	Motor Housing - ABP - S2135
42	42193022	+ Bearing Plate Assm. - Early
	43265006	+ Bearing Plate Assm.
43	21434288	+* Screw - Self Tapping (5)
44	31146008	Spacer
45	38755018	Fan - AG
46	37196088	Fan Cover - JM - S2097
	37196104	Fan Cover - ABP - S2135
47	21434288	+* Screw - Self Tapping (5)

ITEMS NOT ILLUSTRATED

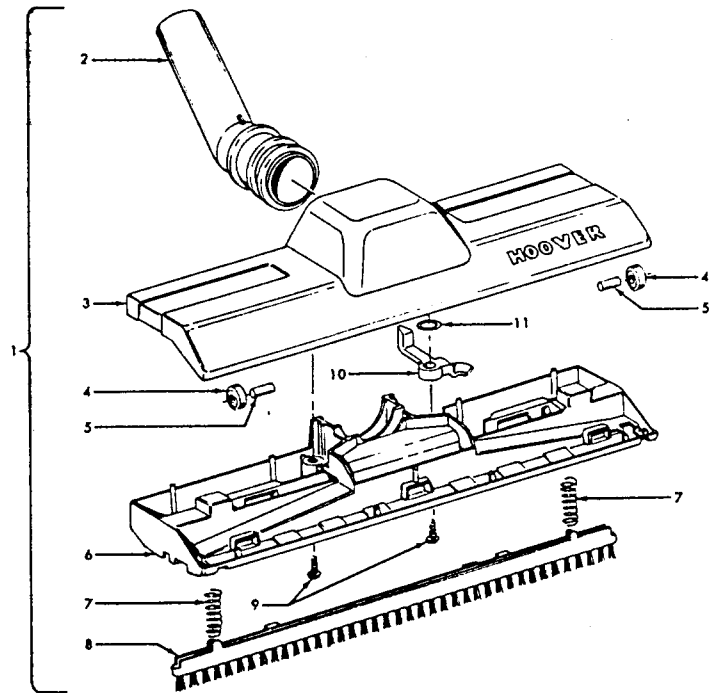
38784043	Housing Gasket - (used on some early models between item 41 and 46)
34264004	+* Handle Separator - Use w/Metal Handle
21157003	* Spiral Pin - Used w/Metal Handle
43414180	Rug & Floor Nozzle - Std. (P - 52)

PACKAGING MATERIAL - S2097

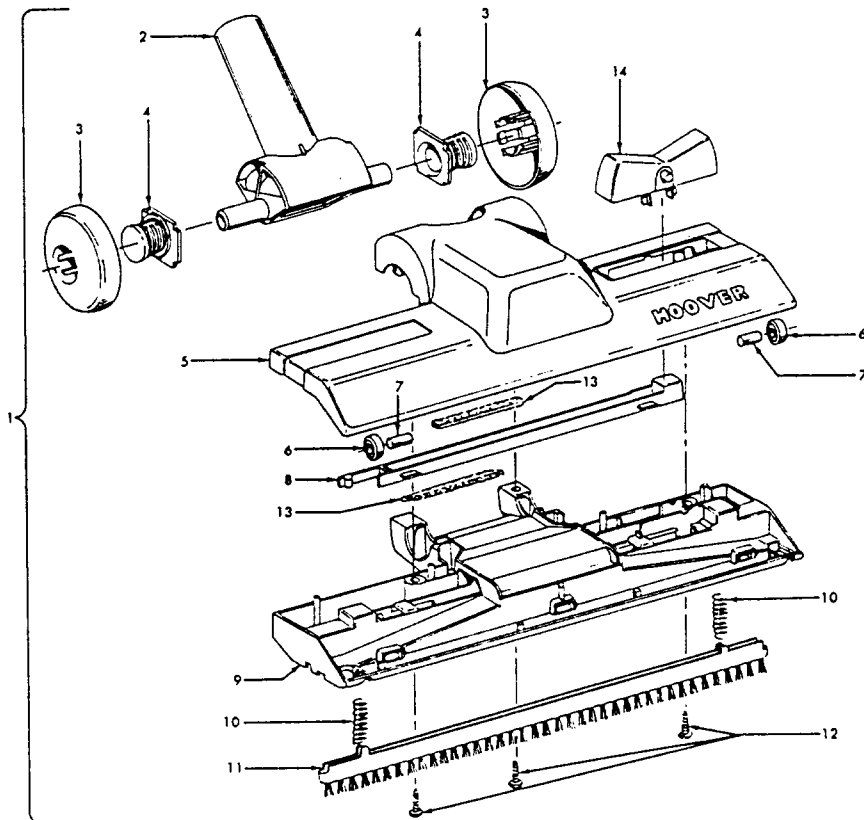
58132047	+ Carton
58212006	+ Nozzle Support
58353011	+ Carton Support
58351023	+ End Support
56512127	Owner Manual

PACKAGING MATERIAL - S2135

58132072	+ Carton
58212007	+ Nozzle Support
58353011	+ Cleaner Support
56512159	+ Owner Manual



Model S2099



## Rug & Floor Nozzle

## Models S2095, S2097, S2103, S2131, S2135

Ref. No.	Part No.	Description
1	43414180	Rug & Floor Nozzle - ABE
2	38646078	Nozzle Tube - AAP
3	38615153	+ Rug & Floor Nozzle - AAP
4	38521018	Roller (2)
5	31511004	Roller Axle-AY (2)
6	36414018	Brush Housing
7	166649FW	Spring (2)
8	48443003	Brush Back Assm. - AG
9	21447203	* Screw - Self Tapping (2)
10	38454004	Brush Back Lever - MV
11	21329105	+ Felt Washer

## Model S2099

Ref. No.	Part No.	Description
1	43414161	Deluxe Rug & Floor Nozzle Assm. - ABE/ABR
2	38646071	Nozzle Connector - AAP
3	43244043	Wheel & Bearing Assm. (2)
4	38511016	+ Wheel Bearing - AAT (2)
5	38615180	Rug & Floor Nozzle - AAP
6	38521018	Roller (2)
7	31511004	Roller Axle - AY (2)
8	38451008	Slider - AG
9	36414013	+ Brush Housing - MV
10	166649FW	Spring (2)
11	48443004	Brush Back Assm. - AG
12	21447203	* Screw - Self Tapping (3)
13	34122013	+ Seal (2)
14	38434015	Pedal - MV