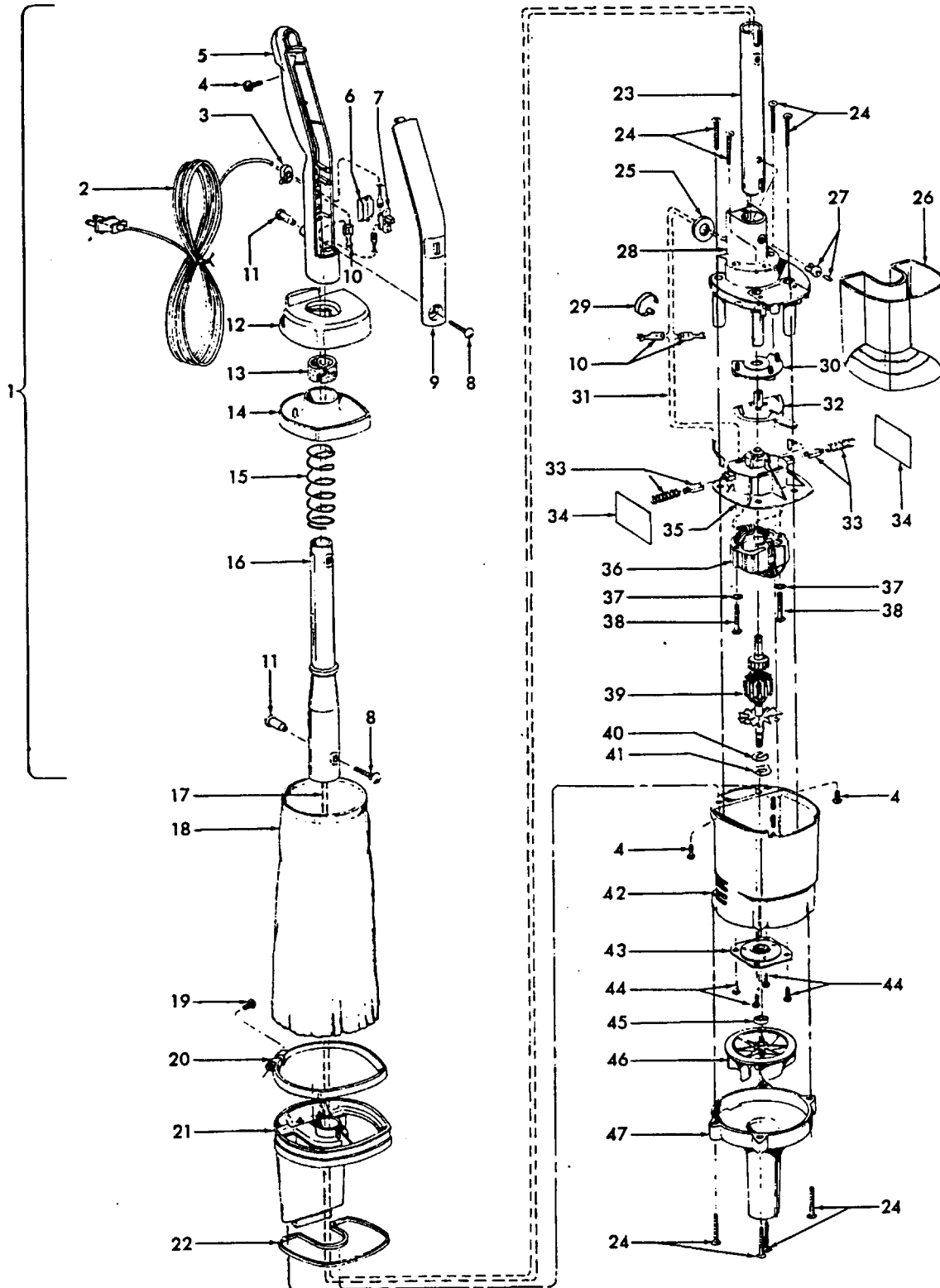


Quik-Broom II

Models S2141, S2139-080 S2149



| Ref. | Part Description | No. | No. |
|------|------------------|-----|---|
| 1 | N/A | | Handle Assm. - Upper |
| 2 | 46363154 | | Attach. Cord Assm. - MV |
| 3 | 27482301 | | Strain Relief Bushing |
| 4 | 21447003 | * | Screw (3) |
| 5 | 39454065 | | Handle Grip - ABU |
| 6 | 37258082 | | Terminal Shield |
| 7 | 28177027 | | Switch |
| 8 | 21631302 | | Handle Bolt - AW/AY |
| 9 | 37226059 | | Handle Cover - ABU |
| 10 | 12227 | | Insulated Terminal |
| 11 | 32277021 | | Handle Nut - AW/AY (2) |
| 12 | 37225016 | | Bag Cap - Outer - ABE |
| 13 | 38781012 | | Gasket |
| 14 | 37225010 | | Bag Cap - Inner - HE |
| 15 | 38315014 | | Spring - Compression |
| 16 | 32458006 | | Handle - Upper Half |
| 17 | 46312003 | | Motor Lead Wire Assm. |
| 18 | 43662032 | | Bag Assm. - ABT S2141 |
| | 43662034 | | Bag Assm. - ABC S2139-080 |
| | 43662032 | | Bag Assm. - AG - S2149 |
| 19 | 21447218 | | Screw - Self Tapping |
| 20 | 36171046 | | Clamp Band - AAP |
| 21 | 42223175 | | Bag Support Assm. - ABT (Incl. Items 20,22) S2141 |
| | 42223176 | | Bag Support Assm. - AG (Incl. It. 20, 22) S2149 |
| | 42223178 | | Bag Support Assm. - ABC (Incl. It. 20, 22) S2139-080 |
| 22 | 34123036 | | Gasket |
| 23 | 32355014 | | Handle - Lower Half - ABU |
| 24 | 21434287 | * | Screw - Self Tapping - FW (8) |

| Ref. | Part Description | No. | No. |
|------|------------------|-----|---------------------------------|
| 25 | 21329104 | +* | Washer - Fiber |
| 26 | 38775044 | + | Dirt Cup |
| 27 | 21264022 | | Plastic Rivet |
| 28 | 37196103 | | Motor Cover - AG |
| 29 | 27479307 | * | Wire Tie |
| 30 | 38562023 | | CAM - AG |
| 31 | 46143065 | | Motor Lead Wire Assm. |
| 32 | 38452090 | | Lever - ABN |
| 33 | 47318022 | + | Motor Brush & Spring Assm. (2) |
| 34 | 34152010 | | Insulator (2) |
| 35 | 42196005 | | Motor Brush Housing Assm. |
| 36 | 45312101 | | Field Assm. Comp. |
| 37 | 21338030 | * | Lockwasher (2) |
| 38 | 21479438 | * | Screw (2) |
| 39 | 44731073 | | Armature Assm. Comp. |
| 40 | 21378012 | | C-Clip |
| 41 | 21378013 | | C-Clip Retainer |
| 42 | 37193022 | | Motor Housing - ABT S2141 |
| | 37193025 | | Motor Housing - ABC - S2139-080 |
| | 37193024 | | Motor Housing - AG - S2149 |
| 43 | 43265006 | + | Bearing Plate Assm. |
| 44 | 21447218 | | Screw - Self Tapping (4) |
| 45 | 31146008 | | Spacer |
| 46 | 38755018 | | Fan - AG |
| 47 | 37196117 | | Fan Cover - ABT S2141 |
| | 37196150 | | Fan Cover - ABC S2139-080 |
| | 37196118 | | Fan cover - AG S2149 |

ITEMS NOT ILLUSTRATED

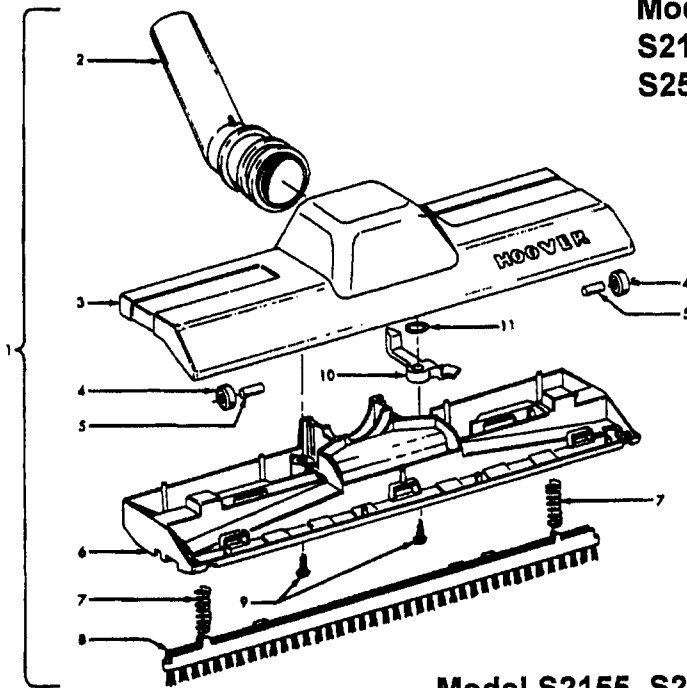
43414180 Rug & Floor Nozzle (P - 64)

PACKAGING MATERIAL

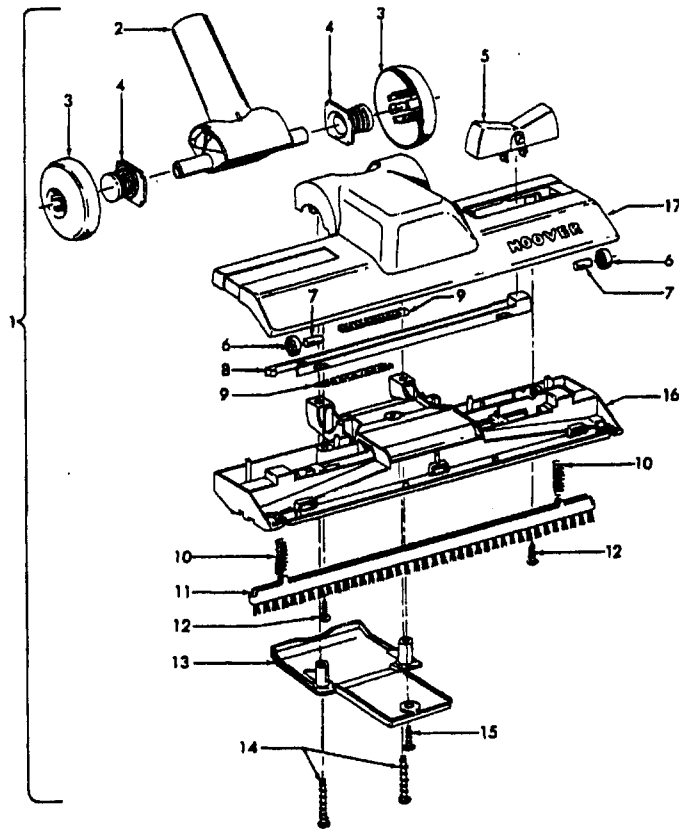
58132074 + Carton S2141
 58132076 + Carton S2149
 58132080 + Carton S2139-080
 58212007 + Nozzle Support
 58353011 + Cleaner Support
 56512127 Owner Manual

Rug & Floor Nozzle

Models S2141, S2147,
S2139-080, S2149, S2515,
S2541, S2551



Model S2155, S2543, S2545, S2561, S2571



Rug & Floor Nozzle

Models S2141, S2147, S2139-080, S2149, S2515, S2541, S2541-040, S2551

| Ref. No. | Part No. | Description |
|----------|---------------|--|
| 1 | Not Available | Standard Rug & Floor Nozzle - ABE(Use Dlx. 43414180) |
| 2 | 38646078 | Nozzle Tube - ABE |
| 3 | 38615182 | Rug & Floor Nozzle - ABE |
| 4 | 38521018 | Roller (2) |
| 5 | 31511004 | Roller Axle-AY (2) |
| 6 | 36414018 | Brush Housing - MV |
| 7 | 166649FW | Spring (2) |
| 8 | 48443003 | Brush Back Assem. - AG |
| 9 | 21447203 | * Screw - Self Tapping (2) |
| 10 | 38454004 | Brush Back Lever - MV |

Models S2155, S2543, S2545, S2561, S2571

| Ref. No. | Part No. | Description |
|----------|----------|--|
| 1 | 43414180 | Deluxe Rug & Floor Nozzle Assem. - ABE |
| | 43414182 | Deluxe Rug & Floor Nozzle Assem. - ADJ - S2571 |
| 2 | 38646071 | Nozzle Connector - ABE |
| | 38646082 | Nozzle Connector - AG - S2571 |
| 3 | 43244043 | Wheel & Bearing Assem. (2) - ABR |
| 4 | | Included w/Item 3 |
| 5 | 38434019 | + Pedal - ABN |
| | 38434022 | Pedal - AG - S2571 |
| 6 | 38521018 | Roller (2) |
| 7 | 31511004 | Roller Axle - AY (2) |
| 8 | 38451008 | Slider - AG |
| 9 | 34122013 | + Seal (2) |
| 10 | 166649FW | Spring (2) |
| 11 | 48443004 | Brush Back Assem. - AG |
| 12 | 21447203 | * Screw - Self Tapping (2) |
| 13 | 36434005 | Skid Plate - ABR |
| | 36434006 | Skid Plate - AG - S2571 |
| 14 | 21447020 | * Screw - Self Tapping (2) |
| 15 | 21447203 | * Screw - Self Tapping |
| 16 | 36414019 | Brush Housing - ABR |
| | 36414023 | Brush Housing - AG - S2571 |
| 17 | 43414157 | Rug & Floor Nozzle - ABE |
| | 43414185 | Rug & Floor Nozzle - ADJ - S2571 |