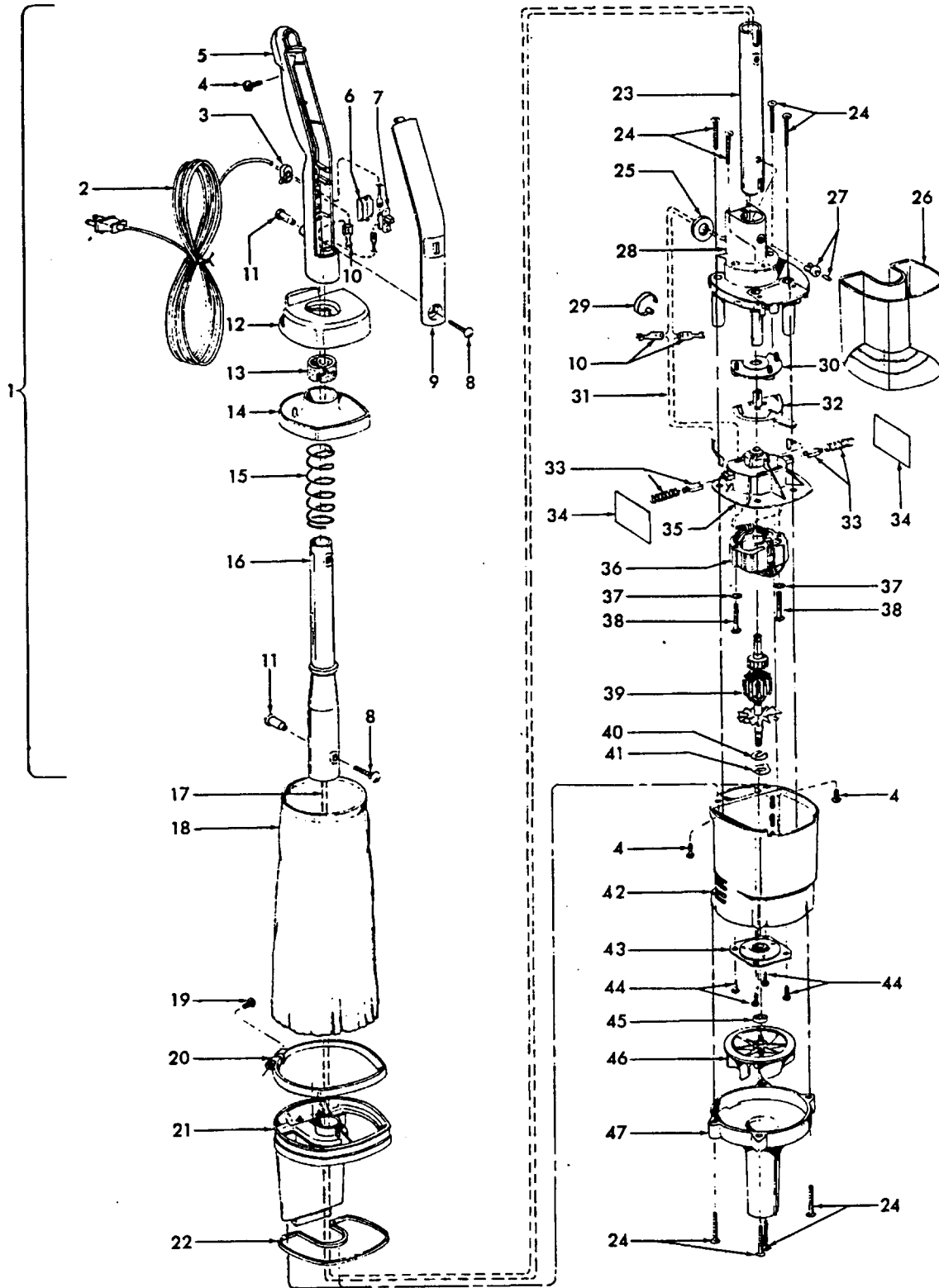


Quik-Broom II

Models S2141, S2139-080 S2149



Ref.	Part Description	No.	No.
1	N/A		Handle Assm. - Upper
2	46363154		Attach. Cord Assm. - MV
3	27482301		Strain Relief Bushing
4	21447003	*	Screw (3)
5	39454065		Handle Grip - ABU
6	37258082		Terminal Shield
7	28177027		Switch
8	21631302		Handle Bolt - AW/AY
9	37226059		Handle Cover - ABU
10	12227		Insulated Terminal
11	32277021		Handle Nut - AW/AY (2)
12	37225016		Bag Cap - Outer - ABE
13	38781012		Gasket
14	37225010		Bag Cap - Inner - HE
15	38315014		Spring - Compression
16	32458006		Handle - Upper Half
17	46312003		Motor Lead Wire Assm.
18	43662032		Bag Assm. - ABT S2141
	43662034		Bag Assm. - ABC S2139-080
	43662032		Bag Assm. - AG - S2149
19	21447218		Screw - Self Tapping
20	36171046		Clamp Band - AAP
21	42223175		Bag Support Assm. - ABT (Incl. Items 20,22) S2141
	42223176		Bag Support Assm. - AG (Incl. It. 20, 22) S2149
	42223178		Bag Support Assm. - ABC (Incl. It. 20, 22) S2139-080
22	34123036		Gasket
23	32355014		Handle - Lower Half - ABU
24	21434287	*	Screw - Self Tapping - FW (8)

Ref.	Part Description	No.	No.
25	21329104	+*	Washer - Fiber
26	38775044	+	Dirt Cup
27	21264022		Plastic Rivet
28	37196103		Motor Cover - AG
29	27479307	*	Wire Tie
30	38562023		CAM - AG
31	46143065		Motor Lead Wire Assm.
32	38452090		Lever - ABN
33	47318022	+	Motor Brush & Spring Assm. (2)
34	34152010		Insulator (2)
35	42196005		Motor Brush Housing Assm.
36	45312101		Field Assm. Comp.
37	21338030	*	Lockwasher (2)
38	21479438	*	Screw (2)
39	44731073		Armature Assm. Comp.
40	21378012		C-Clip
41	21378013		C-Clip Retainer
42	37193022		Motor Housing - ABT S2141
	37193025		Motor Housing - ABC - S2139-080
	37193024		Motor Housing - AG - S2149
43	43265006	+	Bearing Plate Assm.
44	21447218		Screw - Self Tapping (4)
45	31146008		Spacer
46	38755018		Fan - AG
47	37196117		Fan Cover - ABT S2141
	37196150		Fan Cover - ABC S2139-080
	37196118		Fan cover - AG S2149

ITEMS NOT ILLUSTRATED

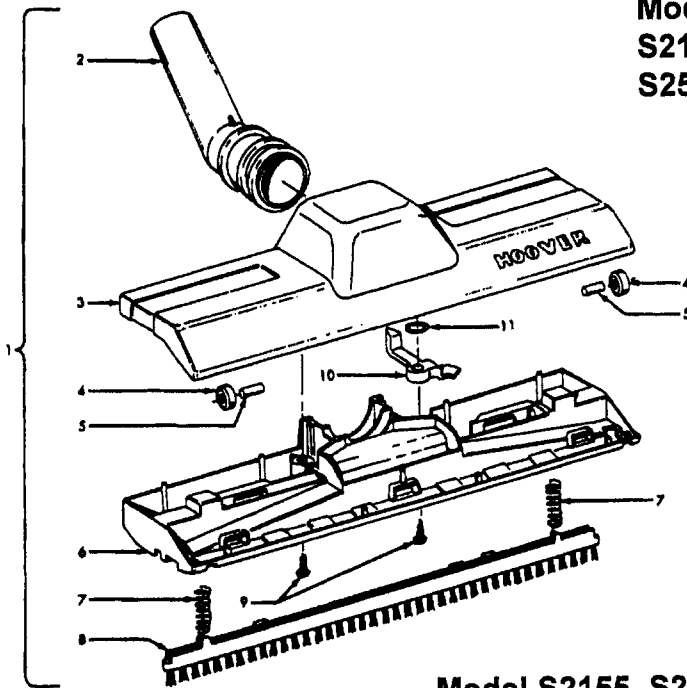
43414180 Rug & Floor Nozzle (P - 64)

PACKAGING MATERIAL

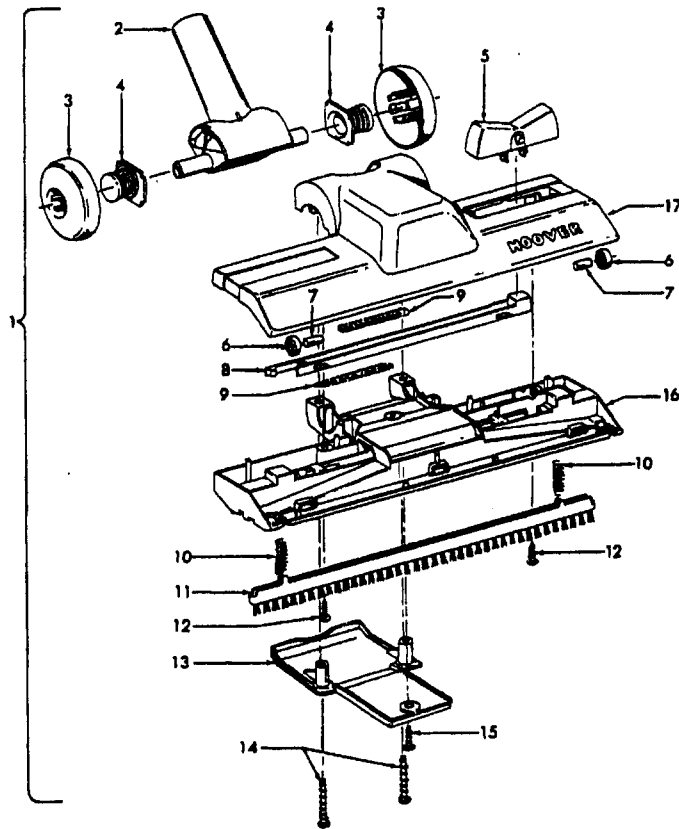
58132074 + Carton S2141
 58132076 + Carton S2149
 58132080 + Carton S2139-080
 58212007 + Nozzle Support
 58353011 + Cleaner Support
 56512127 Owner Manual

Rug & Floor Nozzle

Models S2141, S2147,
S2139-080, S2149, S2515,
S2541, S2551



Model S2155, S2543, S2545, S2561, S2571



Rug & Floor Nozzle

Models S2141, S2147, S2139-080, S2149, S2515, S2541, S2541-040, S2551

Ref. No.	Part No.	Description
1	Not Available	Standard Rug & Floor Nozzle - ABE(Use Dlx. 43414180)
2	38646078	Nozzle Tube - ABE
3	38615182	Rug & Floor Nozzle - ABE
4	38521018	Roller (2)
5	31511004	Roller Axle-AY (2)
6	36414018	Brush Housing - MV
7	166649FW	Spring (2)
8	48443003	Brush Back Assem. - AG
9	21447203	* Screw - Self Tapping (2)
10	38454004	Brush Back Lever - MV

Models S2155, S2543, S2545, S2561, S2571

Ref. No.	Part No.	Description
1	43414180	Deluxe Rug & Floor Nozzle Assem. - ABE
	43414182	Deluxe Rug & Floor Nozzle Assem. - ADJ - S2571
2	38646071	Nozzle Connector - ABE
	38646082	Nozzle Connector - AG - S2571
3	43244043	Wheel & Bearing Assem. (2) - ABR
4		Included w/Item 3
5	38434019	+ Pedal - ABN
	38434022	Pedal - AG - S2571
6	38521018	Roller (2)
7	31511004	Roller Axle - AY (2)
8	38451008	Slider - AG
9	34122013	+ Seal (2)
10	166649FW	Spring (2)
11	48443004	Brush Back Assem. - AG
12	21447203	* Screw - Self Tapping (2)
13	36434005	Skid Plate - ABR
	36434006	Skid Plate - AG - S2571
14	21447020	* Screw - Self Tapping (2)
15	21447203	* Screw - Self Tapping
16	36414019	Brush Housing - ABR
	36414023	Brush Housing - AG - S2571
17	43414157	Rug & Floor Nozzle - ABE
	43414185	Rug & Floor Nozzle - ADJ - S2571