

Ref. No.	Part No.	Description
1	N/A	Upper Handle Assem.
2	46363154	Attach. Cord - MV
3	27482301	Strain Relief Bushing
4	21447003	* Screw - Self Tapping (5)
5	39454065	Handle Grip - ABU
6	47831007	Diode Assem.
7	31744023	* Tubing - JM
8	27479307	* Lead Wire Tie
9	12227	Insulated Terminal
10	46143064	Lead Wire
11	37258082	Terminal Shield
12	28179105	+ Switch
13	21631302	Handle Bolt - AWAY (2)
14	37226080	Handle Cover - ABU
15	12227	Insulated Terminal
16	32277021	Handle Nut - AWAY (2)
17	37225016	Bag Cap - Outer - ABE
18	38781012	Gasket
19	37225010	Bag Cap - Inner - HE
20	38315014	Spring - Compression
21	32458006	Handle Tube - Upper
22	46513006	Motor Lead Wire Assem.
23	43662033	Bag Assem.
24	21447218	Screw
25	36171046	Clamp Band - ABE
26	42223177	Bag Support Assem. - MB (Incl. Items 24,25,27)
27	34123036	Gasket
28	32355014	Handle Tube - Lower - ABU
29	21434287	* Screw - Self Tapping - FW (8)
30	21329104	+*Washer - Fiber
31	37196103	Motor Cover - AG

Ref. No.	Part No.	Description
32	39466024	Carrying Handle - ABR
33	38775044	+ Dirt Cup
34	21264022	Plastic Rivet
35	38562023	CAM - AG
36	38452090	Lever - ABN
37	46143065	Lead Wire
38	47318022	+ Motor Brush & Spring Assem. (2)
39	34152010	Insulator (2)
40	42196005	Motor Brush Housing Assem.
41	45317036	Field Assem. Comp.
42	21338030	* Lockwasher (2)
43	21479438	* Screw (2)
44	44731073	Armature Assem. Comp.
45	21378012	C-Clip
46	21378013	C-Clip Retainer
47	37193019	Motor Housing - MB
48	43265006	+ Bearing Plate Assem.
49	21447218	Screw - Self Tapping (4)
50	31146008	Spacer
51	38755018	Fan - HE
52	37196119	Fan Cover - MB

ITEMS NOT ILLUSTRATED

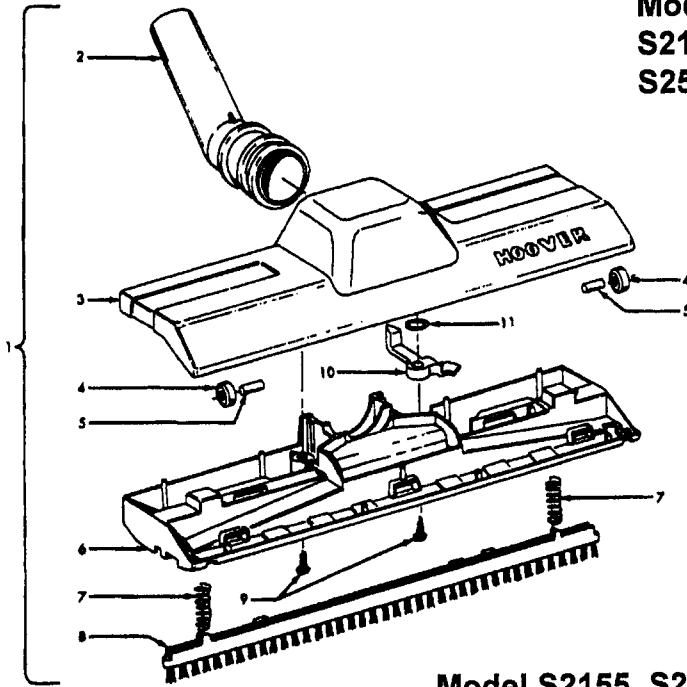
43414180 Rug & Floor Nozzle - Dlx. (P - 64)

PACKAGING MATERIAL

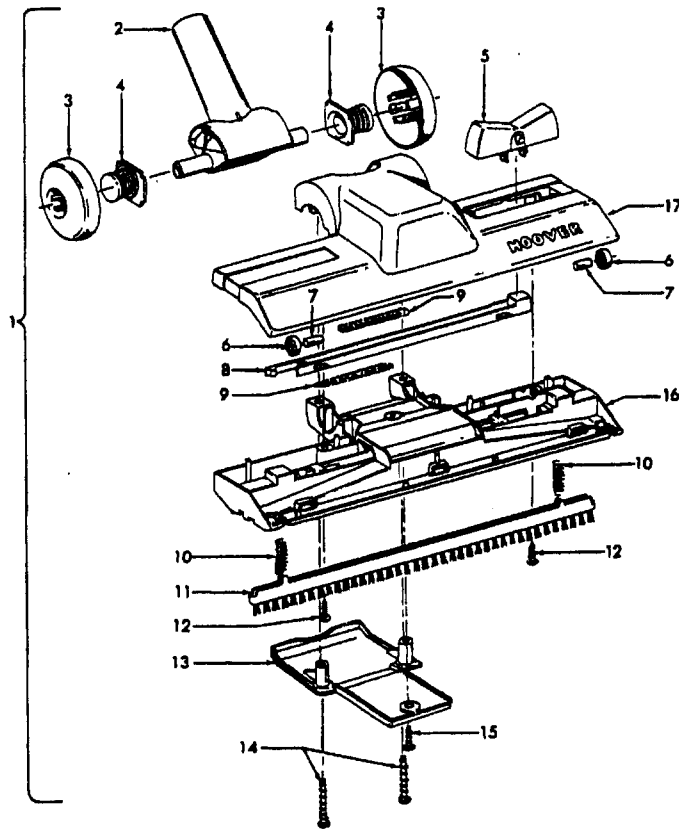
58132074 + Carton
 58222001 Nozzle Support
 58353011 + Cleaner Support
 56512127 Owner Manual

Rug & Floor Nozzle

Models S2141, S2147,
S2139-080, S2149, S2515,
S2541, S2551



Model S2155, S2543, S2545, S2561, S2571



Rug & Floor Nozzle

Models S2141, S2147, S2139-080, S2149, S2515, S2541, S2541-040, S2551

Ref. No.	Part No.	Description
1	Not Available	Standard Rug & Floor Nozzle - ABE(Use Dlx. 43414180)
2	38646078	Nozzle Tube - ABE
3	38615182	Rug & Floor Nozzle - ABE
4	38521018	Roller (2)
5	31511004	Roller Axle-AY (2)
6	36414018	Brush Housing - MV
7	166649FW	Spring (2)
8	48443003	Brush Back Assem. - AG
9	21447203	* Screw - Self Tapping (2)
10	38454004	Brush Back Lever - MV

Models S2155, S2543, S2545, S2561, S2571

Ref. No.	Part No.	Description
1	43414180	Deluxe Rug & Floor Nozzle Assem. - ABE
	43414182	Deluxe Rug & Floor Nozzle Assem. - ADJ - S2571
2	38646071	Nozzle Connector - ABE
	38646082	Nozzle Connector - AG - S2571
3	43244043	Wheel & Bearing Assem. (2) - ABR
4		Included w/Item 3
5	38434019	+ Pedal - ABN
	38434022	Pedal - AG - S2571
6	38521018	Roller (2)
7	31511004	Roller Axle - AY (2)
8	38451008	Slider - AG
9	34122013	+ Seal (2)
10	166649FW	Spring (2)
11	48443004	Brush Back Assem. - AG
12	21447203	* Screw - Self Tapping (2)
13	36434005	Skid Plate - ABR
	36434006	Skid Plate - AG - S2571
14	21447020	* Screw - Self Tapping (2)
15	21447203	* Screw - Self Tapping
16	36414019	Brush Housing - ABR
	36414023	Brush Housing - AG - S2571
17	43414157	Rug & Floor Nozzle - ABE
	43414185	Rug & Floor Nozzle - ADJ - S2571