

Ref. No.	Part No.	Description
1	39454061	Handle
2	27479307	* Wire Tie
3	37227002	+ Air Intake Door
4	46326005	Receptacle Assem.
5	28161063	Switch
6	37222023	Front Housing - ACF
7	39442045	Hose Wrap
8	43615087	Filter / Separator Assembly
9	21447236	* Screw
10	43645047	Dirt Cup - (Inc. It. 11)
11	36153004	Latch - AG
12	21642021	Nut
13	21312818	+ Washer
14	38783022	+ Seal
15	43566012	+ Fan Assembly
	43566019	+ Fan Assembly
16	34123048	Motor Support Seal
17	42193024	Motor Housing Assembly
18	31148011	Spacer
19	44731085	Armature Assembly
20	45312072	Field Assembly (incl. it. 24)
21	31195005	Motor Mount Insulator
22	37193026	Motor Brush Housing
23	38353014	Spring (2)
24	47313010	Motor Brush Assembly (includes 2 brushes and 2 crimps)

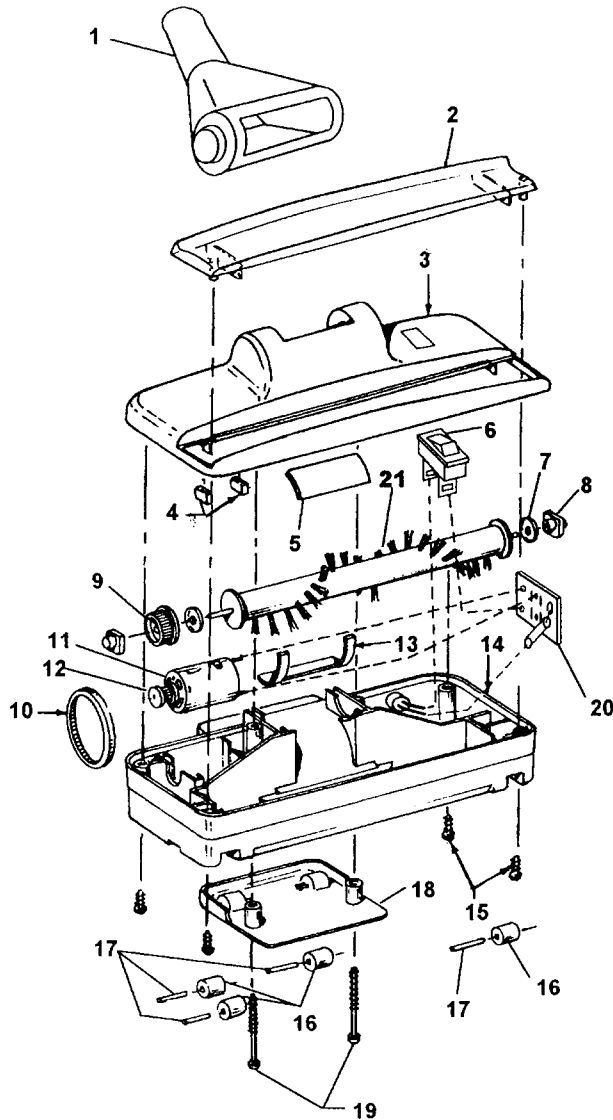
Ref. No.	Part No.	Description
25	21329108	* Washer
26	24118214	Motor Bearing
27	36134006	+ Bearing Retainer
28	214793DA	* Screw
29	21479443	* Screw
30	27618508	* Wire Connector
31	37222016	Rear Housing - ABE (incl. it. 14)
32	21447236	* Screw
33	46363110	Attachment Cord
34	21447072	* Screw (3)
35	43491014	Hose Assembly
36	36433119	Tool Holder
37	38351018	Spring
38	21447124	+* Screw
39	37227002	Air Intake Door

Items Not Illustrated

38765021	Secondary Filter
34341011	Retainer Clip (Used to secure Receptacle Assembly - Item 4)

Packaging Material

56512178	Owners Manual
58134040	Carton
58364018	+ Cleaner Support



Ref. No.	Part No.	Description
Powered Nozzle Comp. - 48438131		
1	59139300	Nozzle Connector
2	59139259	Agitator Housing Lens
	59139260	Foam Seal Lens
3		Agitator Housing
4		Rubber Block
5	59139244	Seal
6	59139295	Switch
7		Washer
8	59139228	Agitator Bearing
9		Pulley
10	59139232	Belt
11	59139230	Agitator Motor
12	59139275	Motor Pulley
13	59139245	Seal
14		Bottom Plate
15	59139209	Screw
16	59139233	Roller
17	59139234	Roller Shaft
18		Bottom Cover
19		Screw
20	59139293	Circuit Board w/ Attach. Cord
21	59139227	Agitator Assembly

Items Not Illustrated

59139294	Cord Strap
171078--	Torx Driver (Used to remove item 19 Screw)