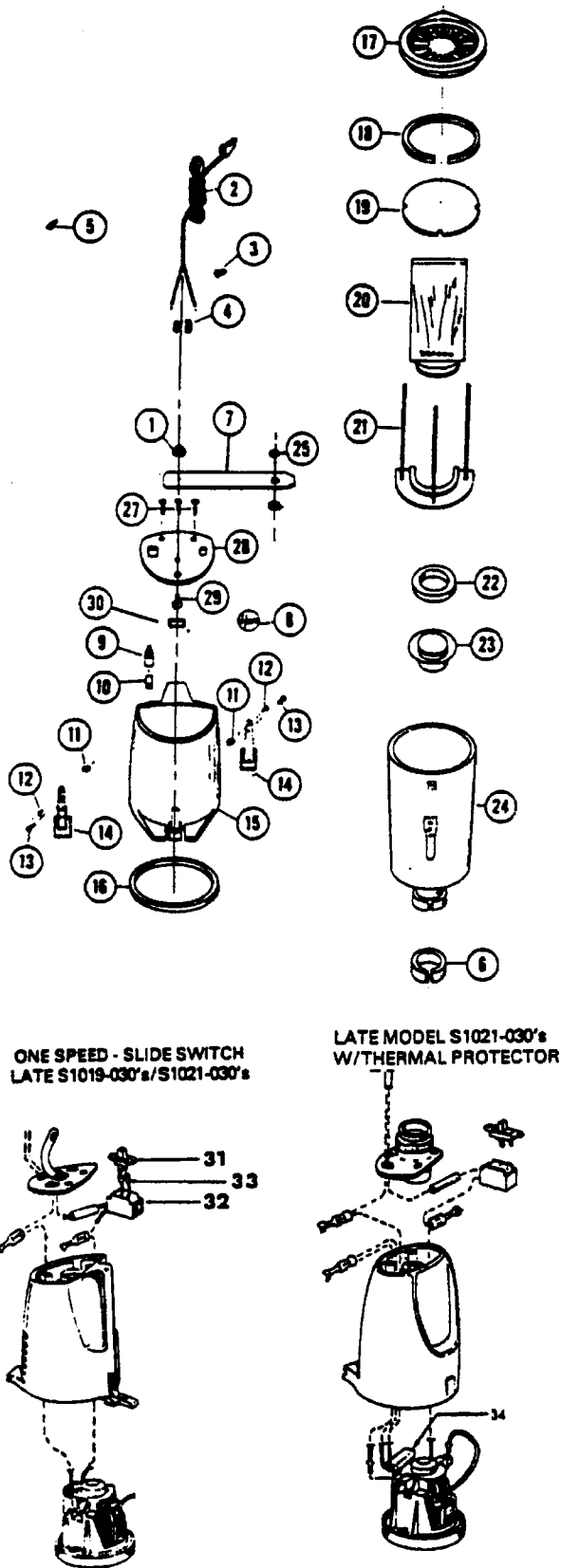


Shell

Models 2800, S1005, S1019, S1019-030, S1021, S1021-030



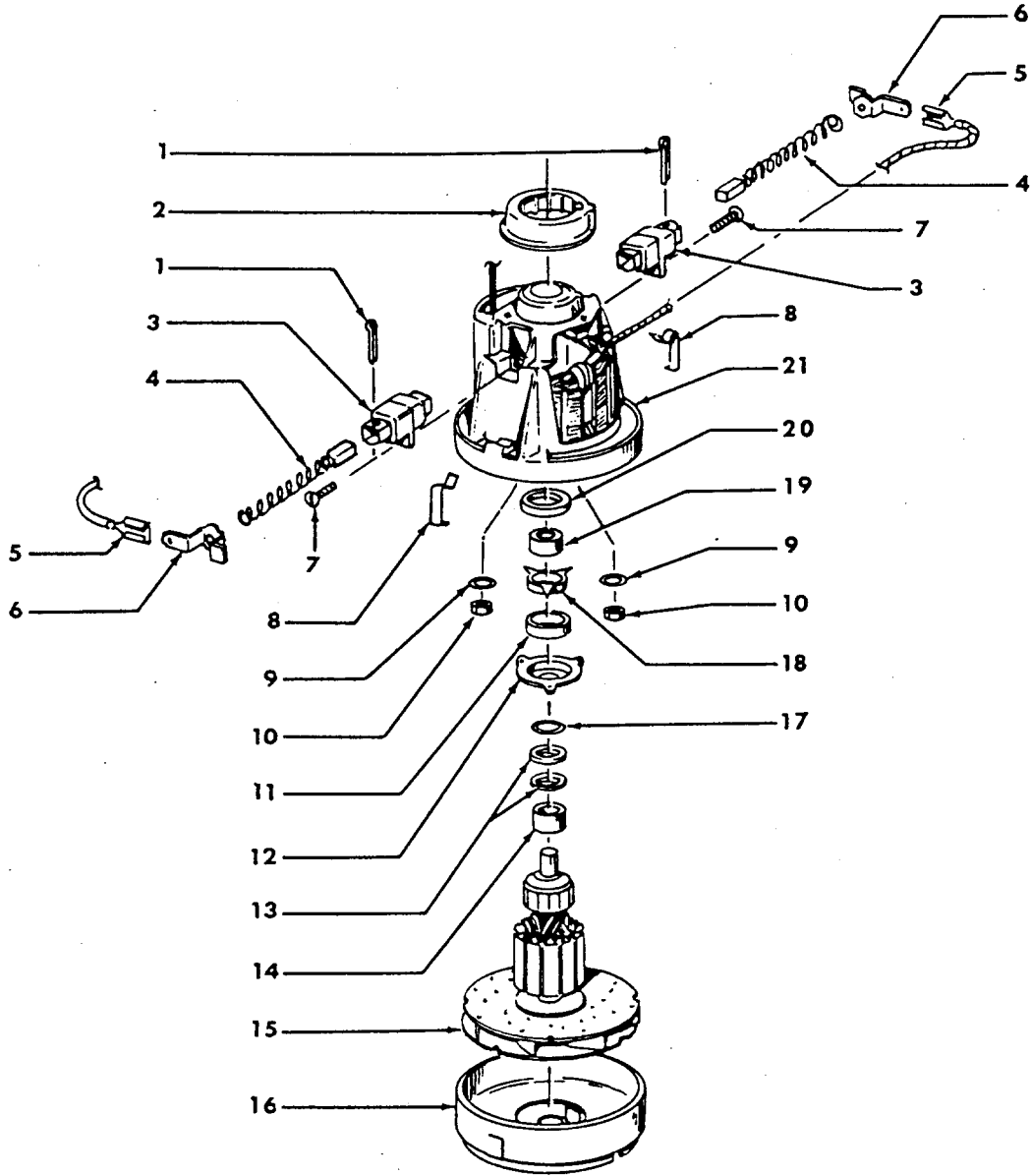
Ref. Description	Part No.	No.	No.
1	15660	*	Snap Fastener Stud
2	46383068		Attach. Cord
3	48969	*	Wire Nut
4	12226	+	Strain Relief Bushing - 2800
	163768		Strain Relief
5	160356	*	Terminal (Toggle Switch) - 2800, S1005, S1019, S1021 & Early Model S1019-030 's, S1021-030 's
6	36153009		Latch Ring
7	17222HH	+	Cord Storage Strap Comp. - 2800, S1005
	17222JM	+	Cord Storage Strap Comp.
8	16547	+	Medallion
9	12971		Switch (Toggle) - 2800, S1005, S1019, S1021 & Early Model S1019-030 's, S1021-030 's
10	15317	+	Pad (Toggle Switch) - 2800, S1005, S1019, S1021 & Early Model S1019-030 's, S1021-030 's
11	161549	+	Washer
12	16195	+	Rivet
13	12954	*	Screw
14	15331AY		Latch
15	42222062	+	Motor Housing - PH - S1019,
	S1019-030		
	42222057	+	Motor Housing w/Thermal Protector Model S1021-030, S1005
16	15315	+	Motor Gasket
17	15326BZ	+	Bulkhead - 2800
	166116AG	+	Bulkhead
18	15330	+	Bag Housing Gasket
19	15997		Secondary Filter
20	4010008G		Throw Away Bags (3 - Pk.)
21	15327	+	Bag Support Assm.
22	17295	+	Bag Sealing Collar
23	15311JM	+	Bag Gasket
24	15308HH	+	Bag Housing - Short - 2800, S1005
	42223036	+	Bag Housing - Short - PH - S1019, S1019-030
	42223037	+	Bag Housing - Short - CD - S1021, S1021-030
25	15661	*	Snap Fastener Socket
27	15738EF	*	Screw
28	42227070	+	Closure Plate Common - JM - S1021 & Early Model S1021-030 (Toggle Switch)
	42227028	+	Closure Plate - JM - 2800, S1005, S1019 & Early Model S1019-030 (Toggle Switch)
	42227114	+	Closure Plate Assm. - JM - Late Model S1019-030 's, S1021-030 's (Slide Switch) (USE 42227028)
29	16219	+	Eyelet
30	31722007	*	Insulator
31	28177005	+	Switch (Slide) Late Model - S1019-030 's, S1021-030 's
32	37922002		Terminal Shield (Slide Switch) Late Model S1019-030 's, S1021-030 's
33	27666702	*	Terminal (Slide Switch) Late Model S1019-030 's, S1021-030 's
34	28382028		Thermal Protector - S1021-030

ITEMS NOT ILLUSTRATED

19836	+	Carton-2800, S1005
58124041	+	Carton- S1021, S1021-030
56512028	+	Owner Manual - S1019, S1019-030
56512029	+	Owner Manual - S1021, S1021-030

Motor

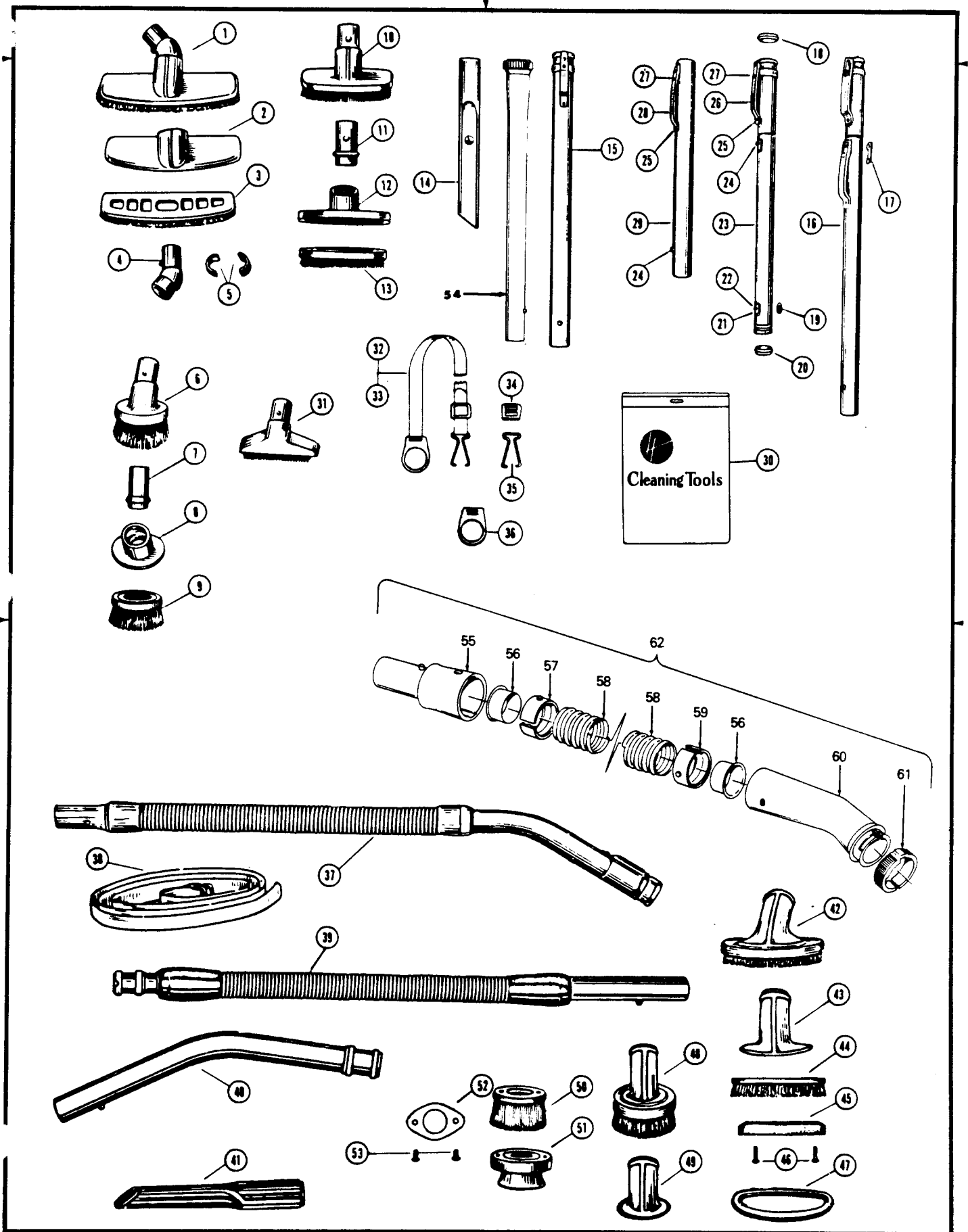
Single Speed - 2800, S1005, S1019, S1019-030, S1021, S1021-030
Two Speed - 2951, 2970, S2001, S2009



Motor

**Single Speed - 2800, S1005, S1019, S1019-030, S1021, S1021-0302610,
Two Speed - 2951, 2970, S2001, S2009**

Ref.	Part Description	No.	No.	Ref.	Part Description	No.	No.
1	49435	+	Coffer Pin (2) N/A on Model S1019-030 's & S1021-030 's equipped w/Slide Switch	21	15272	+	Motor Case & Field Assm. - Used on the Model 2800 until 6/72 (Toggle Switch)
2	15316	+	Motor Mount		163171	+	Motor Case & Field Assm. - Used on the Models 2951 & 2970 until 6/72 (Toggle Switch)
3	15275AG	+	Brush Holder (2)		163491	+	Motor Case & Field Assm. - Used on the Models 2951 & 2970 after 6/72 (Toggle Switch)
	161749AG	+	Brush Holder (2) Model S1019-030 's & S1021-030 's equipped w/Slide Switch		45312021		Motor Case & Field Assm. - Used on the Model 2800 after 6/72 and the Models S1005, S1019, S1019-030, S1021, S1021-030 (Toggle Switch)
4	17353		Motor Brush & Spring (2)		45312025		Motor Case & Field Assm. - S2001, S2009 (Toggle Switch)
	47311004		Motor Brush & Spring (2) Model S1019-030 's & S1021-030 's equipped w/Slide Switch		45312055		Motor Case & Field Assm. - Model S1019-030 's & S1021-030 's equipped w/Slide Switch
5	12227		Terminal (2)	ITEMS NOT ILLUSTRATED			
	161876	+	Terminal (2) Model S1019-030 's & S1021-030 's equipped w/Slide Switch				
6	15894	+	Motor Brush Retainer (2) N/A. on Model S1019-030 's & S1021-030 's equipped w/Slide Switch				
7	162911	+	Screw (2)				
8	15744	+	Clip (2) - Used on the following Models until 6/72 - 2800, 2951, 2970				
	163416		Clip (2)				
9	21312759	+	Washer (2)				
10	162910	+	Nut (2)				
11	12012	+	Absorbent Washer				
12	15850	+	Bearing Retainer Support				
13	15278	*	Fiber Washer (2)				
14	49344	+	Insulator				
15	44731003		Armature & Fan Assm.				
16	15293	+	Fan Housing & Bearing Assm. Used on the following Models until 6172 - 2800, 2951, 2970				
	163441		Fan Housing & Bearing Assm.				
17	21312719	*	Washer				
18	15851	+	Bearing Retainer				
19	24117209		Bearing				
20	15295	*	Felt Washer				
					168317	+	Screw (Use w/l 7094 Motor Shield & 15272/163171 Motor Casing & Field)
					17094	+	Motor Shield (Use w/l 5272 & 163171 Motor Casing & Field)
					43576019	+	Motor Assm. Comp. - Single Speed Toggle Switch
					43576021		Motor Assm. Comp. - Two Speed
					43576051		Motor Assm. Comp. - Model S1019-030 's & S1021-030 's equipped w/Slide Switch



Cleaning Tools & Hose Assembly

Hand & Stick Cleaners

Ref. No.	Part No.	Description	Ref. No.	Part No.	Description
1	13077JM	+ Bare Floor Brush	28	36152018	Tube Latch - Outer
	43414073	Floor Brush Assm.	30	58544004	+ Cleaning Tool Bag
	13155JM	+ Floor Brush Nozzle & Brush Assm. (Use w/ 3077J M)	31	43414057	Furniture Nozzle Assm.
3	13253AG	+ Floor Brush Face	32	15671JM	Carrying Strap Comp.
4	13154JM	+ Floor Brush Swivel & Collar (Use w/13077JM)	33	15667DM	+ Carrying Strap
	38644040	Swivel Connector (Use w/48473025)		15667HH	+ Carrying Strap
5	13276	Floor Brush Swivel Bushing (Use w/13154JM)		15667A	+ Carrying Strap
	33712007	Split Ring (Use w/38644040)	34	15668	+* Strap Buckle
6	161851JM	+ Dusting Brush	35	15670	Strap Hook
	43414064	Dusting Brush (One Piece)	36	15669JM	Strap Ring
7	13149JM	Nozzle Connector Tube (Use w/161851JM)	37	15584JM	+ Hose Comp.
8	13150LL	+ Dusting Brush Nozzle (Use w/161851JM)	38	48398A	+ Carrying Strap - 1001, 1002
	13263BZ	+ Brush (Use w/ 61851 JM)	39	22930	+ Hose Comp. - 1001, 1002
10	161852JM	+ Furniture Brush	40	34404	+ Extension Tube Curved
	43414016	Furniture Brush - AG	41	34547	+ Crevice Tool
11	13149JM	Connector Tube (Use w/161852JM)	42	34544A	+ Furniture Brush Comp.
12	161852JM	+ Furniture Brush Comp.	43	20486A	+ Furniture Brush Nozzle
13	13254BZ	+ Brush (Used w/161852JM)	44	31598	+ Furniture Brush Back
14	38617017	Crevice Tool	45	20493	+ Furniture Brush Support
15	43453027	Extension Tube (Aluminum)	46	47151	+* Screws
16	43458001	Extension Tube Comp.	47	34542T	+ Furniture Brush Guard
17	12589	Tube Guide	48	47672A	+ Dusting Brush Comp.
18	112845JM	+ Gasket - Outer	49	20483	+ Dusting Brush Nozzle
19	21312704	* Washer	50	31599	+ Dusting Brush Back
20	12844JM	+ Gasket - Inner	51	22762	+ Dusting Brush Guard
21	12824	+* Reinforcement Plate	52	44503	+ Skirt Retainer
22	12600	* Rivet	53	48963	+* Screws
23	12598	+ Extension Tube - Inner	54	3863801P	Extension Tube (Polystyrene)
24	12763AW	Rivet	55	38634054	Hose Connector
25	12783	+* Rivet	56	32156010	Hose Sleeve (2)
26	12846AG	Tube Latch - Inner	57	12615BZ	Hose Connector Collar
27	12772	+* Rivet	58	43431174	+ Hose
			59	36116006	Hose Connector Collar
			60	43466055	+ Hose Connector
			61	36153009	Latch Ring
			62	43434206	+ Cleaning Tool Hose Assm. Comp.