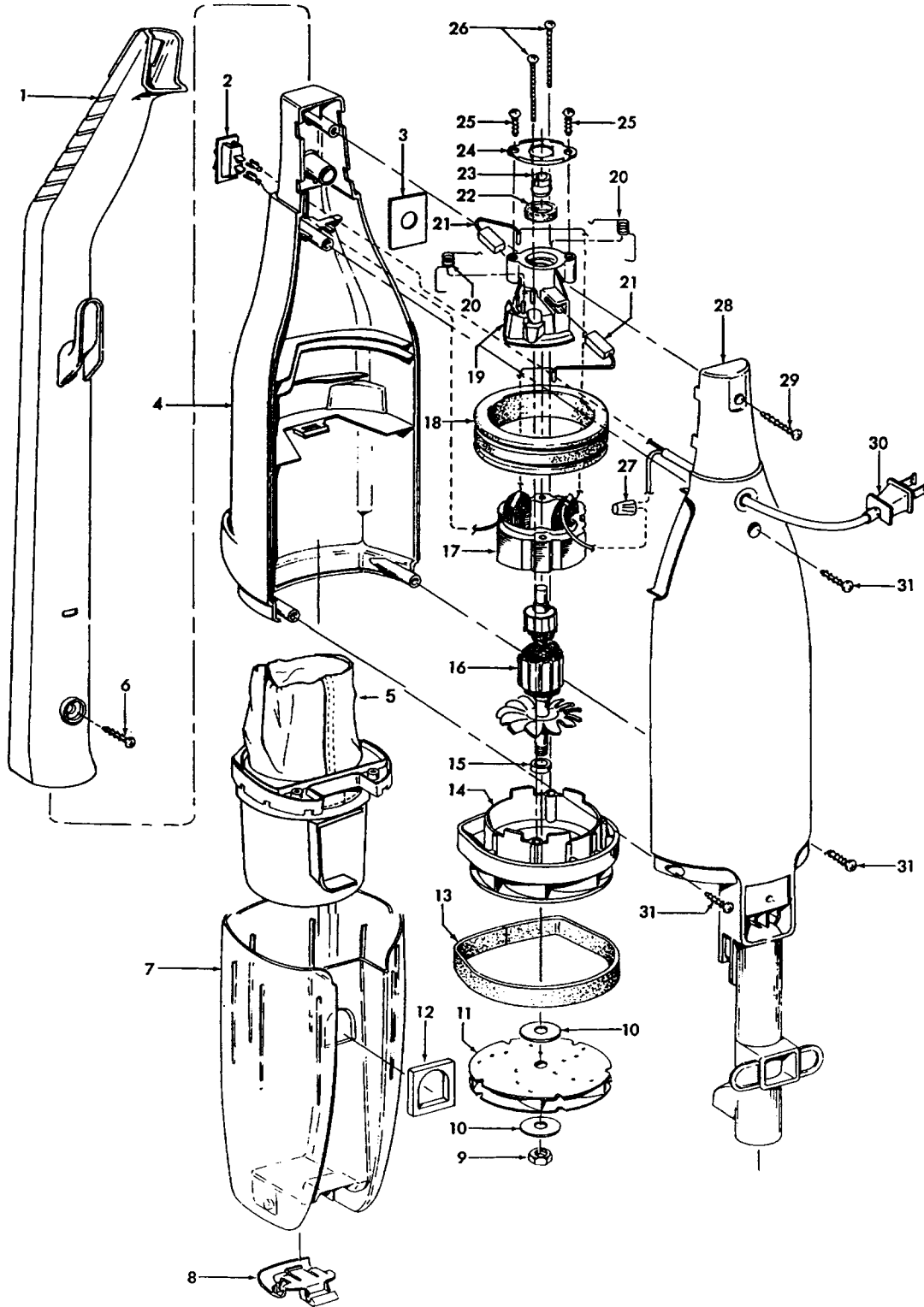


Stick Cleaner - Sprint
Hard Floor Bagless

Model S2505
Model S2509



**Stick Cleaner - Sprint
Hard Floor Bagless**

**Model S2505
Model S2509**

Ref. No.	Part No.	Description
1	39454061	Handle - ABE
2	28161063	Switch
3	34144009	Insulator
4	37222004	Front Housing - ABE - S2505
	37222026	Front Housing - JM - S2509
5	43615073	Filter Assembly- early models w/o post
	43615087	Filter Assembly - with post - Cyclonic
6	21447236	* Screw
7	43645046	+ Dirt Cup - AAN (incl. it. 8) Used with filter assembly without post (See Note)
	43645047	Dirt Cup - With Slot (incl. item 8) Used with filter assembly with post
8	36153004	Latch - AG
9	21642021	Nut
10	21312818	+ Washer (2)
11	43566012	+ Fan Assembly
	43566019	+ Fan Assembly
12	38783022	+ Seal
13	34123048	Motor Support Seal
14	42193024	Motor Housing Assembly
15	31148011	Spacer - AY
16	44731085	Armature Assembly
17	45312047	Field Assembly (incl. it. 21)
18	31195005	Motor Mount Insulator
19	37193026	Motor Brush Housing
20	38353014	Spring (2)
21	47313010	Motor Brush Assem. (includes 2 brushes and 2 crimps)

Ref. No.	Part No.	Description
22	21329108	* Washer
23	24118214	Motor Bearing
24	36134006	+ Bearing Retainer
25	214793DA	* Screw
26	21479443	* Screw (2)
27	27618508	* Wire Connector
28	37222013	Rear Housing - ABE (incl. it. 12)
29	21447236	* Screw
30	46363110	Attachment Cord - AG- 20'
	46383344	Attachment Cord - AG - 25' - S2509
31	21447072	* Screw (3)

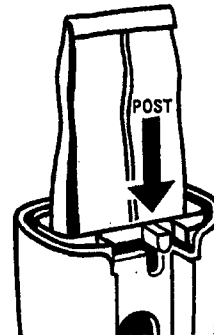
items not illustrated

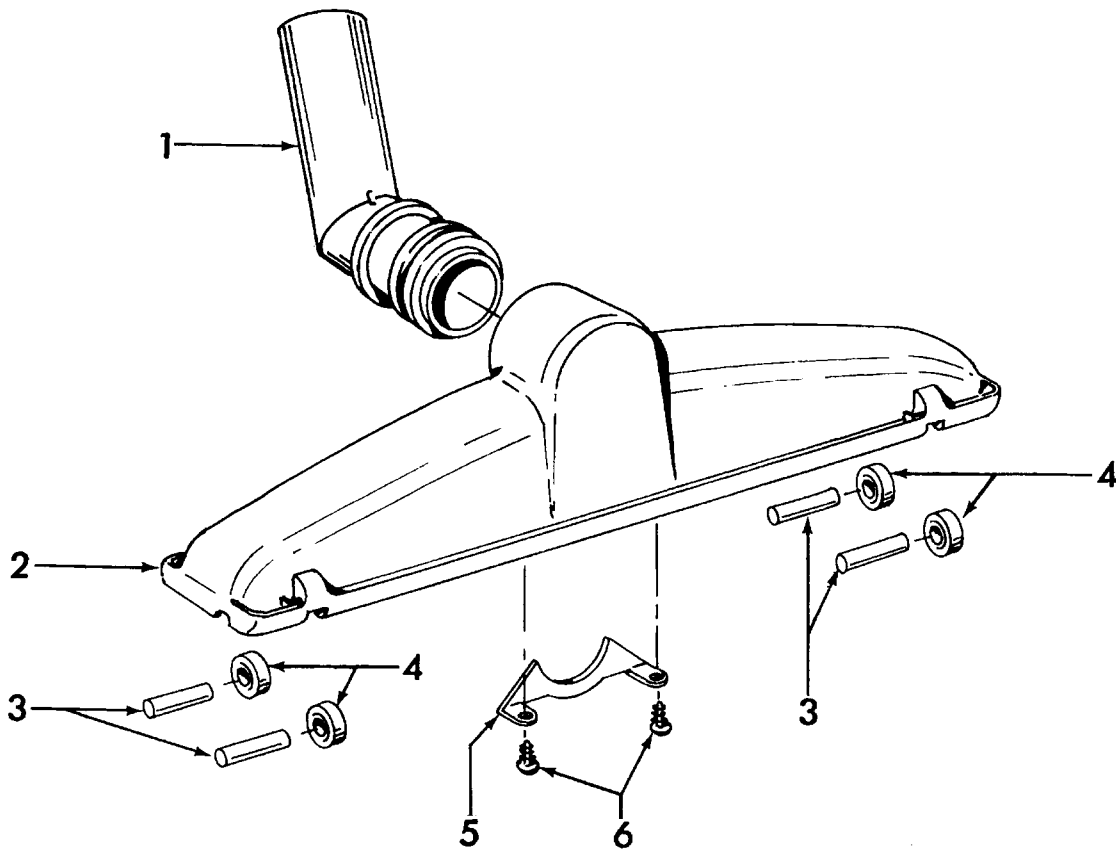
38765021	Secondary Filter
43414036	Rug & Flr. Nozzle - ABE (Pg. 76)
43414189	14" Hard Floor Brush - S2509

packaging material

56512176	Owner Manual
58134034	+ Carton
58364018	+ Cleaner Support
58242008	+ Nozzle Support

Note: When replacing early style Dirt Cup (43645046) with the late style Dirt Cup (43645047) you must also update the filter with the late style filter with post.





Ref. No.	Part No.	Description
1	38615024	Nozzle Tube - ABE
2	43414036	Rug & Fir Nozzle Assembly
3	31511004	Roller Axle (4)
4	38521018	Roller (4)
5	166650AY +	Nozzle Tube Clamp
6	166648aW +*	Screw