

Gear Housing

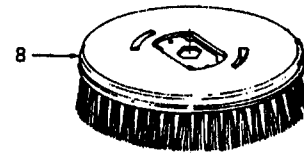
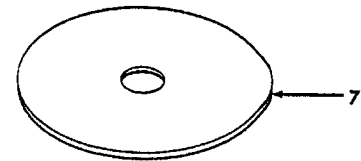
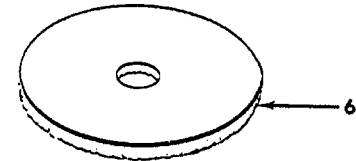
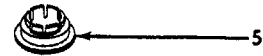
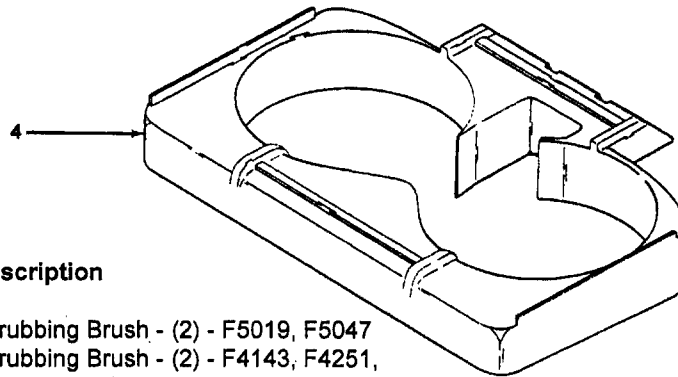
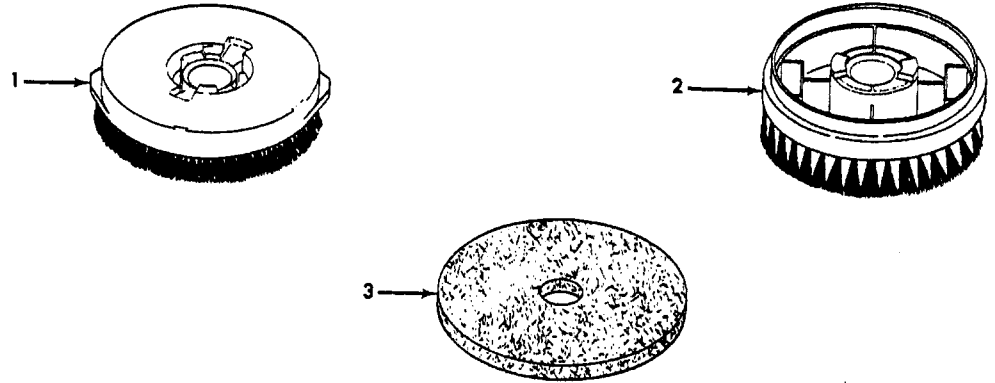
Models F5019, F5047, F5300, F5300-060

| Ref. | Part Description | No. | No. | Ref. | Part Description | No. | No. |
|------|------------------|---------------------------------------------|-----|------|------------------|-----|-------------------------------------|
| 1 | 42271065 | Hood - JX | | 20 | 163598 | * | Screw (3) |
| | 42271069 | Hood - AAM - F5047 | | 21 | 162193 | | Filter Bar |
| | 42271077 | Hood - w/ nameplate - AG - F5300, F5300-060 | | 22 | 18001 | * | Screw |
| | 52313041 | Hood Nameplate - F5300, F5300-060 | | 23 | 15911 | | Brush Stop |
| 2 | 16125AY | + Capsert (4) | | 24 | 18331 | | Brush Stop Spring |
| 3 | 15887 | * Hex Nut (2) | | 25 | 15603AG | | Foamer Nozzle |
| 4 | 161028BZ | Bevel Gear | | 26 | 18255 | | Brush Shaft & Inertia Plate - L.H. |
| 5 | 21312714 | * Washer (2) | | 27 | 38521002 | | Front Wheel (2) |
| 6 | 161328 | Brush Shaft Gear (2) | | 28 | 15505 | + | Front Wheel Shaft (2) |
| 7 | 15889 | +* Washer (2) | | 29 | 40404082 | | Rear Wheel Shaft |
| 8 | 15745BZ | Idler Gear (2) | | 30 | 49571AY | +* | Rivet (2) |
| 9 | 40404064 | Compression Spring | | 31 | 16206AY | | Handle Control Lever Spring |
| 10 | 21312715 | +* Washer (4) | | 32 | 15910AY | | Handle Control Lever |
| 11 | 15836 | * Lock Ring (4) | | 33 | 34207AG | | Foot Pad |
| 12 | 32175004 | + Caster Wheel (2) | | | 38426003 | | Foot Pad - ACC - F5300, F5300-060 |
| | 32175003 | Caster Wheel (2) | | | 16297 | +* | Screw - Self Tapping (Hood Attach.) |
| 13 | 164199AG | + Gear Housing | | | | | |
| | 42273014 | Gear Housing | | | | | |
| 14 | 36231118 | Furniture Guard | | | | | |
| | 36231119 | + Furniture Guard - ACN - F5300, F5300-060 | | | | | |
| 15 | 18254 | Brush Shaft & Inertia Plate - R.H. | | | | | |
| 16 | 15841BZ | Brush Carrier (2) | | | | | |
| 17 | 15534 | "O" Ring (2) | | | | | |
| 18 | 15808 | Squeegee Blade - AG | | | | | |
| | 39512007 | Squeegee Blade - ACC - F5300, F5300-060 | | | | | |
| 19 | 162091GA | Squeegee Blade Bracket | | | | | |

Handle & Tank - P. 48
 Motor - P. 52
 Accessories - P. 54

Brushes & Pads

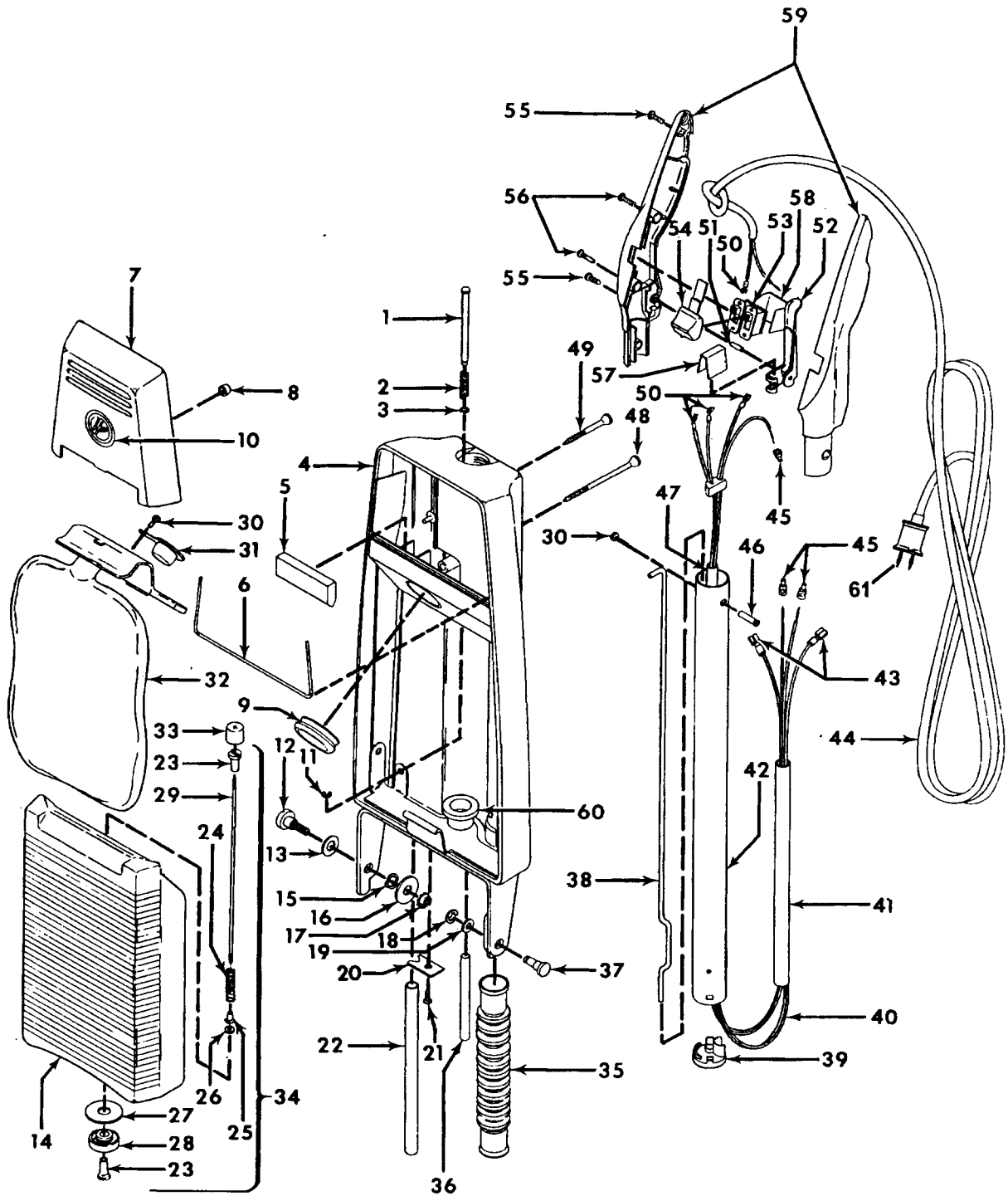
Models F3119, F4143, F4251, F4251-060, F4255, F4255-040, F4300, F4323, F5019, F5047, F5300, F5300-060



| Ref. No. | Part No. | Description |
|----------|---------------------------------|-----------------------------------------------------------------------------------------------------------------------------------------|
| 1 | 48436008 48436045 | Scrubbing Brush - (2) - F5019, F5047 Scrubbing Brush - (2) - F4143, F4251, F4251-060, F4255, F4323 |
| 2 | 48436047 15636 | Scrubbing Brush - (2) - F5300, F5300-060 Rug Shampoo Brush - (2) - F5019, F5047, F5300, F5300-060 |
| | 48437005 | Rug Shampoo Brush - (2) - F3119, F4143, F4251, F4251-060, F4255, F4300, F4323 |
| 3 | 18362 | Cleaning-Waxing Pads - Pair - F4143, F4251, F4251-060, F4255, F4300, F4323, F5019, F5047, F5300, F5300-060 |
| | 13195 | Cleaning-Waxing Pads - Pair - F4255-040 |
| 4 | 16543JX 37275005 37275018 | + Rug Shampoo Attach. Rug Shampoo Attach. - AAM - F5019, F5047 Rug Shampoo Attach. - AG - F5300, F5300-060 |
| 5 | 15844 | Pad Fastener - (2) - F4143, F4251, F4251-060, F4255, F4300, F4323, F5019, F5047, F5300, F5300-060 |
| 6 | 32172004 18360 | Pad Fastener - (2) - F4255-040 High Lustre Pads - Pair - F4255, F5019, F5047, F5300, F5300-060 (2pr.) |
| 7 | 13197 18361 | High Lustre Pads - Pair - F4255-040 Felt Buffing Pads - Pair - F4143, F4251, F4251-060, F4300, F5019, F5047, F5300, F5300-060 (2pr.) |
| | 48432014 | Felt Buffing Pads - Pair - F4255-040 |
| | 48483003 | Soft Cloth Pads - F4300, F5300, F5300-060 (2pr.) |
| 8 | 35613 48436045 | Polishing Brush - F4255-040 Scrubbing Brush - F4300 |

ITEMS NOT ILLUSTRATED

| | |
|----------|---------------------------------------------------------------|
| 40301200 | Rug and Carpet Shampoo - 32 Oz. (Optional) - F5300, F5300-060 |
| 57333001 | Rug and Carpet Shampoo - 16 Oz. - F4300, F5300, F5300-060 |
| 40303032 | Bare Floor Solution - 32 Oz. - F4300, F5300, F5300-060 |



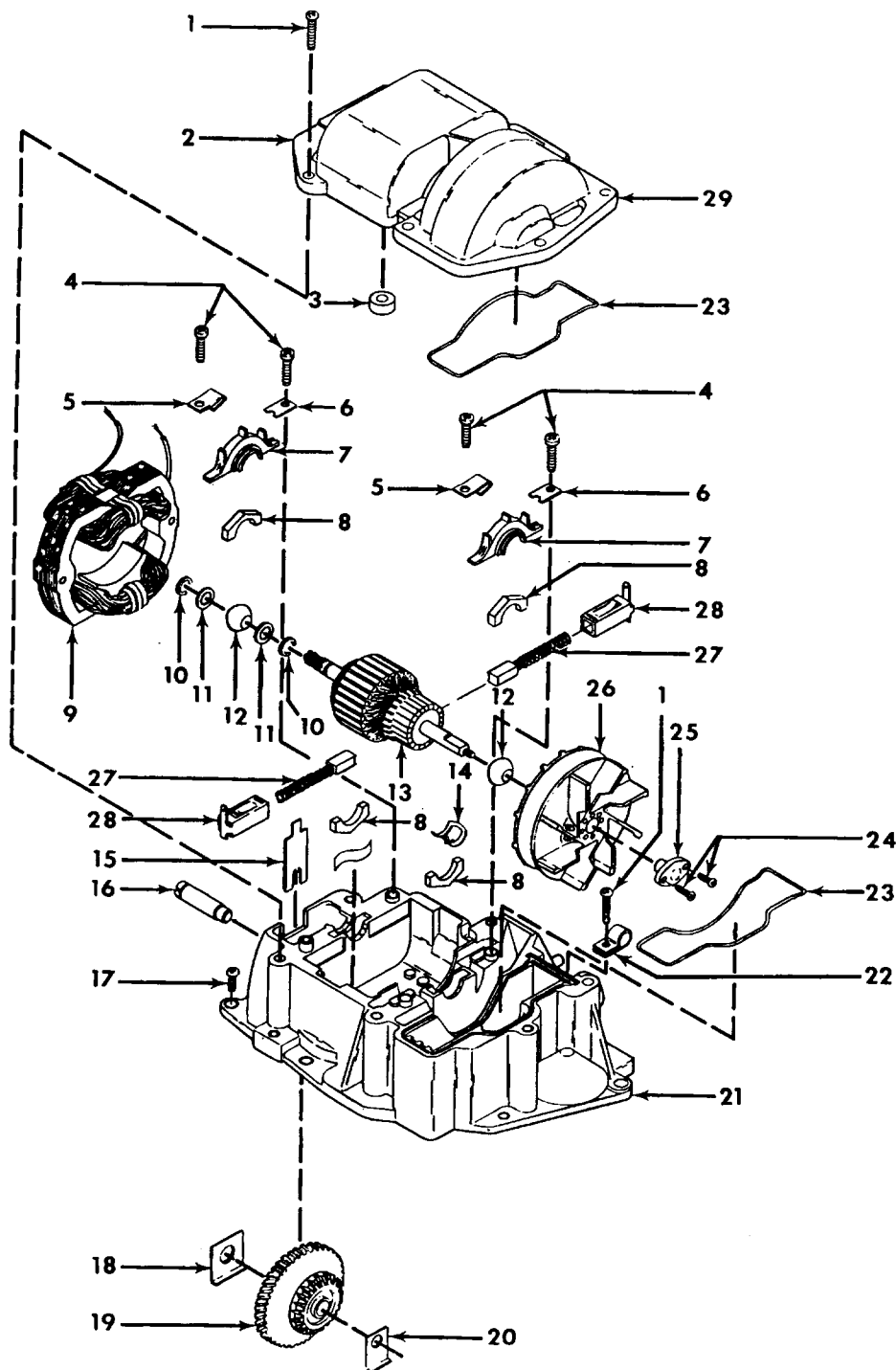
Handle & Tank

Models F5019, F5047, F5300, F5300-060

| Ref. | Part Description | No. | No. |
|------|------------------------------------------------|-----|-----|
| 1 | 16486 Push Rod | | |
| | 15535FW +* Spring | | |
| 3 | 21312722 * Washer | | |
| 4 | 42272074 Tank Housing Comp. | | |
| 5 | 16217 + Defoamer Cake | | |
| 6 | 16126 + Gasket | | |
| 7 | 42272101 Separator Cover | | |
| | 42272102 Separator Cover - AAP - F5047 | | |
| | 42272103 Separator Cover - AG - F5300, | | |
| | F5300-060 | | |
| 8 | 16125AY + Capsert | | |
| 9 | 40404011 + Tank Gasket | | |
| 10 | 51661004 Medallion | | |
| | 51661016 Medallion - F5047 | | |
| 11 | 13759 * Lock Ring | | |
| 12 | 18526 + Bail Pivot Stud | | |
| 13 | 18525 * Washer | | |
| 14 | 43646009 Tank Assem. Comp. - AAM | | |
| | (incl. Item 23 thru 32) | | |
| | 43646010 Tank Assem. Comp. - AG - F5300, | | |
| | F5300-060 | | |
| | (Incl. Items 23 thru 32) | | |
| 15 | 21347003 * Washer | | |
| 16 | 15869 * Washer | | |
| 17 | 21652005 * Nut - Hex | | |
| 18 | 13306 * Retaining Ring | | |
| 19 | 21312713 +* Washer | | |
| 20 | 15566 +* Cord Retainer | | |
| 21 | 16297 +* Screw | | |
| 22 | 16379JM Cord Cover Tubing | | |
| 23 | 15409 Tank Valve Nut (2) | | |
| 24 | 15611 Spring | | |
| 25 | 21294056 +* Eyelet | | |
| 26 | 15590 +* Washer | | |
| 27 | 21312712 Washer | | |
| 28 | 15407 Tank Valve Gasket | | |
| 29 | 15408 Tank Valve Stem | | |
| 30 | 18805 * Screw (4) | | |
| 31 | 15380JM Tank Cap | | |
| 32 | 18609JM + Tank Handle & Bag | | |
| | 43631006 Tank Handle & Bag - AAM - F5047 | | |
| | N/A Tank Handle & Bag - AG - F5300, | | |
| | F5300-060 (Use Tank Assembly | | |
| | Complete - Item 14) | | |
| 33 | 161432 + Nut Insulator | | |
| | 31562004 Nut Insulator - AG - F5300, F5300-060 | | |

| Ref. | Part Description | No. | No. |
|------|------------------------------------------------------------|-----|-----|
| 34 | 164689 Tank Valve Comp. (Incl. Item's 23 thru 29) | | |
| 35 | 19990JM + Flexible Hose | | |
| | 19990AG Flexible Hose | | |
| 36 | 16158 Detergent Tube | | |
| 37 | 15845 Ball Pivot Stud | | |
| 38 | 15532 + Valve Control Rod | | |
| 39 | 15533 + Handle End Plug | | |
| 40 | 18031 + Control Cord Assem. | | |
| 41 | 18714 + Protector Tuba | | |
| 42 | 19880JM + Handle Tube | | |
| | 31756011 Handle Tube - AX - F5300, F5300-060 | | |
| 43 | 163055 * Terminal (2) | | |
| 44 | 46363281 Attach. Cord | | |
| 45 | 48969 * Wire Nut (2) | | |
| 46 | 19462 Nut | | |
| 47 | 15541 + Insulating Tube | | |
| 48 | 15539AW + Screw (Separator Cover) | | |
| 49 | 15538 + Screw (Handle) | | |
| 50 | 27666702 * Terminal (3) | | |
| 51 | 15536 +* Control Lever Pin | | |
| 52 | 43131050 Control Lever | | |
| | 43131051 Control Lever - AG - F5300, | | |
| | F5300-060 | | |
| 53 | 15838 Switch | | |
| 54 | 38421009 Switch Knob - ACC | | |
| 55 | 12955 * Screw (2) | | |
| 56 | 21481464 + Screw (2) | | |
| 57 | 15830 * Insulator | | |
| 58 | 15601 +* Terminal Insulator | | |
| 59 | 48663208 Handle Grip - R.H. & L.H. (JX) | | |
| | 48663123 Handle Grip - R.H. & L.H. (AAP) - F5047 | | |
| | 48663208 Handle Grip - R.H. & L.H. (AG) - F5300, F5300-060 | | |
| 60 | 15565JM + Dispenser Cup | | |
| 61 | 15562 +* Rivet | | |
| | 46363338 Attachment Cord Assem. | | |

Gear Housing - P. 50
Motor - P. 52
Accessories - P. 54



Motor

Models F5019, F5047, F5300, F5300-060

| Ref. No. | Part No. | Description | Ref. No. | Part No. | Description |
|----------|----------|-------------------------------|----------|----------|---------------------------------------|
| 1 | 15738EF | *+ Screw (6) | 20 | 40404105 | Inside Thrust Clip |
| 2 | 160849AG | Motor Cover | 21 | 161029 | Motor Housing |
| 3 | 163955 | *+ Field Pad (2) | 22 | 14492 | Cord Clamp |
| 4 | 17001FW | Screw (4) | 23 | 40404108 | Gasket |
| 5 | 16499FW | + Bearing Retainer Spring (2) | 24 | 18001 | * Screw (2) |
| 6 | 17773 | *+ Bearing Retainer Clamp (2) | 25 | 161023 | Fan Nut |
| 7 | 162481 | Bearing Retainer Clamp (2) | 26 | 164686 | Fan |
| 8 | 16130 | * Washer - Absorbent (4) | 27 | 18307 | Motor Brush Assem. (2) |
| 9 | 161337 | Field Coil | 28 | 15874 | Motor Brush Holder (2) |
| 10 | 15836 | * Lock Ring (2) | 29 | 160849AG | Motor Cover |
| 11 | 21312720 | * Washer (2) | | | |
| 12 | 15605 | Motor Bearing (2) | | 58144004 | + Carton |
| 13 | 15785 | Armature | | 58144011 | Carton - F5047 |
| 14 | 17499 | *+ Bearing Shroud | | 58154039 | Carton - F5300 |
| 15 | 160342 | + Shaft Retainer | | N/A | Carton - F5300-060 (use F5300 carton) |
| 16 | 160350 | Drive Gear Shaft | | | |
| 17 | 49417AZ | *+ Screw (6) | | 17044 | + End Support |
| 18 | 40404103 | + Outside Thrust Clip | | N/A | Top Support |
| 19 | 161024 | Bevel Drive Gear | | N/A | Bottom Support |
| | | | | 56518024 | Owner Manual |
| | | | | 56518067 | + Owner Manual - F5047 |
| | | | | 56518107 | + Owner Manual - F5300, F5300-060 |

Handle & Tank - P. 48
 Gear Housing - P. 50
 Accessories - P. 54