

Motor Housing & Handle

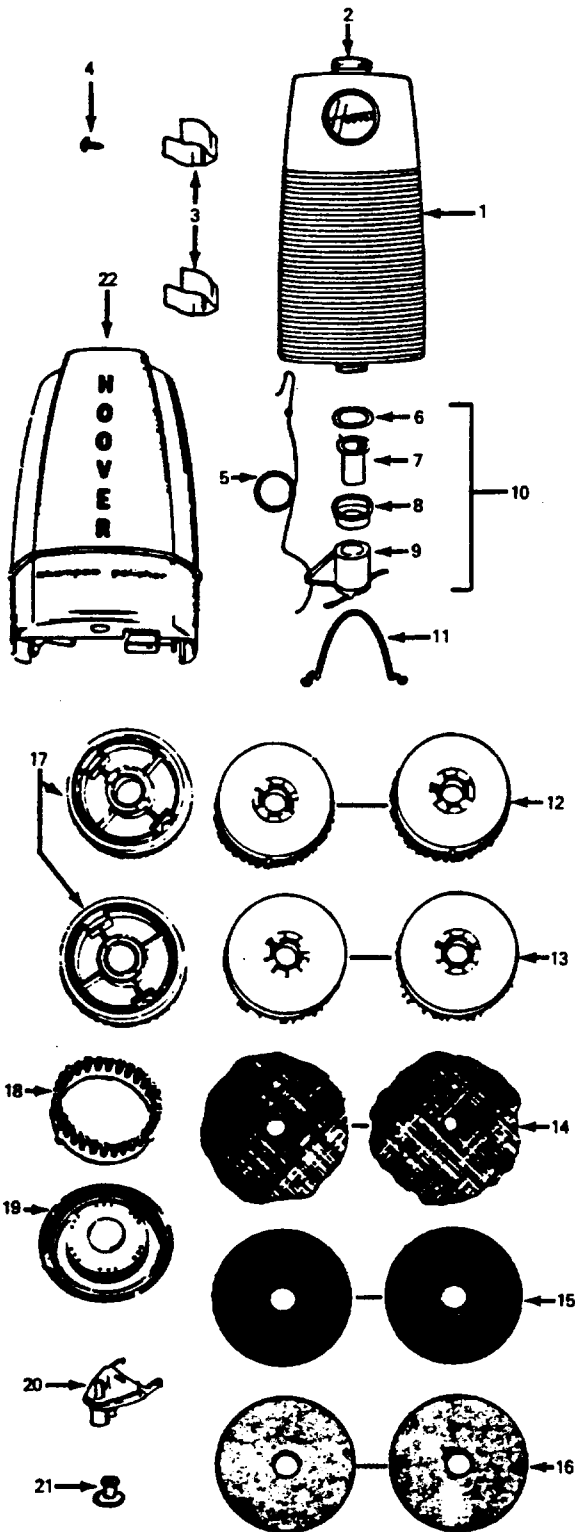
Models 5020, 5240, 5450

Ref.	Part	No.	No.	Description
1	49133A	+		Upper Handle - 5240
	35006A	+		Upper Handle - 5020, 5450
2	35434A	+		Lower Handle - 5240
	35007JM			Lower Handle - 5020, 5450
3	35004	+		Cord Support
4	35005AB	+		Cord Support
5	48294AW			Handle Bolt & Nut
6	46363338			Attachment Cord
7	48262A	+		Cord Cover Tube
8	12229JM	+		Cord Protector
9	35380			Service Plug Assem.
10	14197	+		Terminal
11	35354			Floor Polisher Brush
12	13198	+		Lambs Wool Pad - Pair
13	13194	+		Felt Polishing Pad - Pair
14	23067	+		Rug Applicator
15	23305B	+		Motor Hood
16		+		Nameplate
17	162232	+		Rivet
18	19252	+		Washer
19	23368X	+		Furniture Guard - 5240
	35011A	+		Furniture Guard - 5020, 5450
20	47779	+		Attaching Plate
21	44099	+		Screw
22	48465	+		Screw
23	162311	+		Screw - Machine
24	14062	*		Lock Washer
25	23324	+		Nameplate - 5020, 5240
	34870	+		Medallion - 5450
26	35458	+		Bail Assem. - 5240
	35008A	+		Bail - 5020, 5450
27	48447	+		Handle Control Lever Pin
28	48454	+		Bail Stud
29	35019	+		Bail Insulator
30	48482	+		Washer
31	48478	+		Washer
32	35022	+		Switch Cam
33	168317	+		Screw
34		+		Washer
35	35002AG	+		Switch Housing
36	35010	+		Switch Body
37	48470	+		Switch Insulator
38	48444	+		Switch Button
39	21765159	*		Screw
40		+		Cord Cover Clip
41	22368008	+		Screw
42	11680	+		Dust Baffle

Ref.	Part	No.	No.	Description
43	35012	+		Handle Control Lever
44	34207AG			Foot Pad
45	11700	+		Handle Stud
46	48480	+		Washer
47	48472	+		Lever Insulator
48	48483	+		Lever Spring
49	48446	+		Insulator
50	11683	+		Air Baffle
51	11466	+		Screw
52	740453	+		Nut
53	19772	*		Washer - Lock
54	11409	+		Motor Brush & Holder
55	47025	+		Carbon Brush & Spring Assem.
56	11410	+		Motor Brush Cap
57	906910	+		Set Screw - Motor Brush Holder
58	602925	+		Armature - Incl. Vent Fan
59	11971	+		Field Coil Assem. - 5240
	11675	+		Field Coil - 5020, 5450
60	46732	+		Field Bolt
61	162186	+		Lock Washer
62	14063	+		Nut
63	11970	+		Housing Assem. - 5240
64	11981	+		Worm Gear Cover - 5240
65	48963	+		Screw - 5020, 5450
66	13006	+		Washer - 5020, 5420
67	11413	+		Thrust Screw
68	902057	+		Bearing
69	11415	+		Washer
70	46851	+		Sealing Bushing
71		+		Bolt - 5020, 5450
72		+		Washer
73		+		Nut
74	11972	+		Bolt
75	12574	+		Lead Wire
76	11430	+		Worm Gear - RH
77	11431	+		Worm Gear - LH
78		+		Worm Gear Key
79	11474	+		Gear Shaft Nut
80	49435	+		Pin
81	11849	+		Worm Gear Shaft Adapter
82	49093	+		Spring
83	48562	+		Pin
84	48563	+		Pin
85	49097	+		Retainer
86	15661	*		Snap Fastener Socket
87	161260	+		Screw - Machine

Polisher Accessories

Models 5020, 5130, 5131, 5137, 5200, 5240, 5350, 5450, 5460, 5466, 5468, 5476



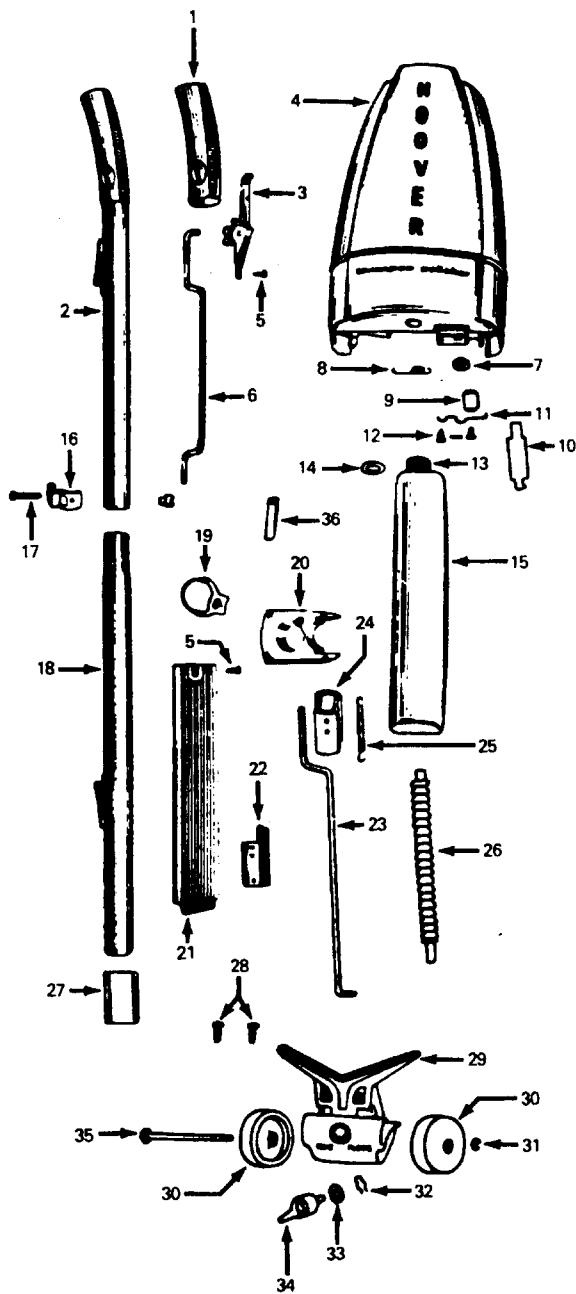
Ref. No.	Part Description	No.	No.
1	14464BA + Liquid Dispenser Tank - 1-1/2 Qt.		
	18891BZ + Liquid Dispenser Tank - 1 Qt..		
2	14486JM + Tank Cap		
3	49482JM + Clamp Spring Clip		
4	160548 +* Screw		
5	35413 + Pull Cord, Hook & Ring Assem.		
6	49539 +* Gasket		
7	35412 + Valve Body		
8	49490 + Cap		
9	35415 + Valve Sleeve & Hose Assem.		
10	43516003 + Valve Assem.		
11	35576 + Hose Guide		
12	35354 Floor Polisher Brush - Models B		
	35580 + Waxing & Scrubbing Brushes - Models A		
13	35613 Polishing Brush - Models A		
	35354 Polishing Brush - Models B		
14	13197 High Lustre Pads, Pair - Models A		
	13198 + High Lustre Pads, Pair - Models B		
15	48432014 Felt Buffing Pads, Pair - Models A		
	13194 + Felt Polishing Pads, Pair - Models B		
16	13195 C. & W. Pads, Pair - Models A		
	13196 + C. & W. Pads, Pair - Models B		
17	15116 Rug Shampoo Brush & Body - Models A		
18	35419 + Rug Shampoo Brush - Models B		
19	35418 + Rug Shampoo Body - Models B		
	35384 + Rug Shampoo Assem. - Models B		
20	15217HH + Foam Wax Dispenser - Models A		
21	13131 Plastic Fastener - Models A		
	13132 + Plastic Fastener - Models B		
22	35460BB + Detergent Tank - 5200, 5468, 5476		
	35460G + Detergent Tank - 5460, 5466		

ITEMS NOT ILLUSTRATED

35575	+ Can Clamp Lever Assem.
35656	+ Spring for 35575
23067	+ Rug Applicator - 5020, 5450
161084	Steel Wool Pads, Pair - Models A

Models A - 5130, 5131, 5137, 5200, 5350, 5460, 5466, 5468, 5476

Models B - 5020, 5240, 5450



Ref. No.	Part No.	Description
1	12230JM	+ Handle Grip
	35636CC	+ Upper Handle - 5460, 5466, 5468
	49133A	+ Upper Handle - 5240
	35006A	+ Upper Handle - 5020, 5450
	49137A	+ Handle Assem. - Upper 5130, 5131, 5137, 5350
3	35433JM	+ Control Housing - 5460, 5466, 5468
4	35460AG	+ Detergent Tank - 5460, 5466
	35460BB	+ Detergent Tank - 5468
	35460X	+ Detergent Tank - All Models
5	21465314	* Screw
6	35405	+ Upper Valve Rod
7	48831	+* Seal
8	49220	+ Spring
9	35215T	+ Tank Valve
10	49126	+ Tank Valve Depressor
11	35379	+ Valve Closure Support
12	19254	+* Screw
13	49507	+ Wax Bottle Cap - All Models
14	49506	+* Washer
15	49187	+ Wax Bottle Assem.
16	35665A	+ Cord Support Clip - 5350
	12910	+ Cord Clamp - 5130, 5131, 5137
17	48294AW	+ Handle Bolt & Nut
18	35434R	+ Handle Assem. - Lower Half - 5240, 5460, 5466
	35434CC	+ Handle Assem. - Lower Half - 5468
	35007JM	+ Lower Handle - 5020, 5130, 5131, 5137, 5350, 5450
19	49219	+ Bottle Latch
20	11902X	+ Detergent Tank Cap
	11902BB	+ Detergent Tank Cap - 5468
21	35456	+ Trim Plate
22	35454DM	+ Cap Retainer
23	612866	+ Lower Valve Rod
24	12465	+ Handle Plug
25	12984AY	+ Spring
26	17473	+ Distributor Hose
27	35430	+ Handle Insulator
28	12956	+* Screw
29	18853DN	+ Wheel Carriage & Distr. - All Models
	23348HH	+ Wheel Bracket - Only 5240
30	32175003	+ Caster Wheel
31	13306	+* Ring
32	12979	+* Ring
33	18249	+* Washer
34	17234	+ Valve Body
35	35662AY	+ Wheel Shaft - 5460, 5466, 5468
	49114	+ Wheel Shaft - 5240
36	14503	+ Insulating Tube - 5460, 5466, 5468

ITEMS NOT ILLUSTRATED

48750	+* Pin - 5460, 5466, 5468
35381	+ Distributor - 5240
35005AB	+ Cord Support - 5020, 5240, 5450
35004	+ Cord Support - 5020, 5240, 5450