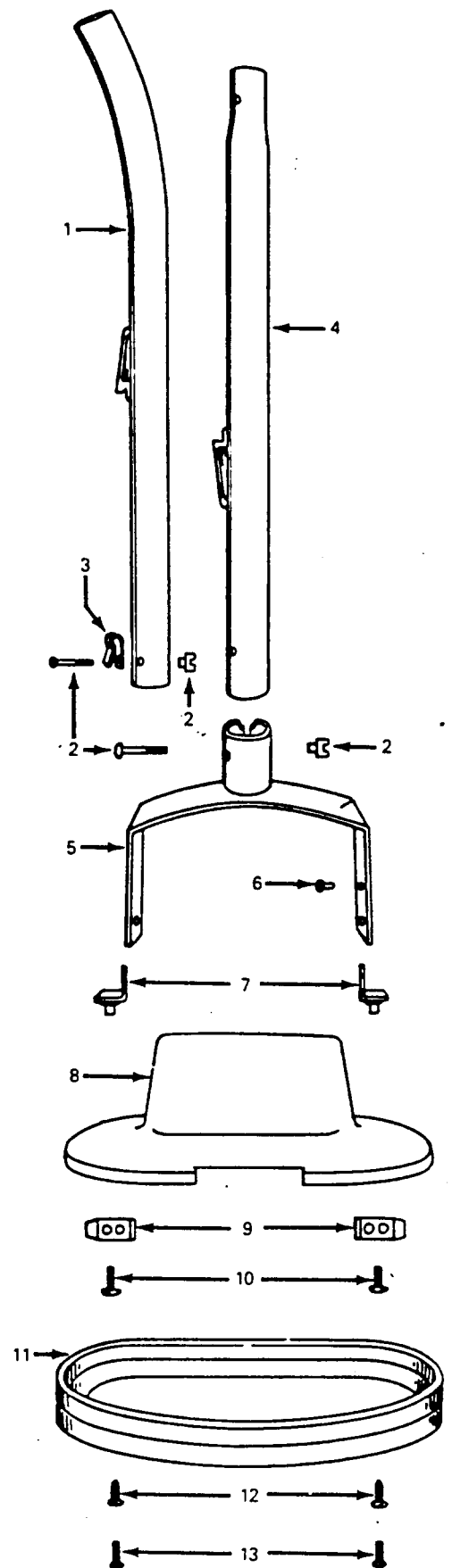
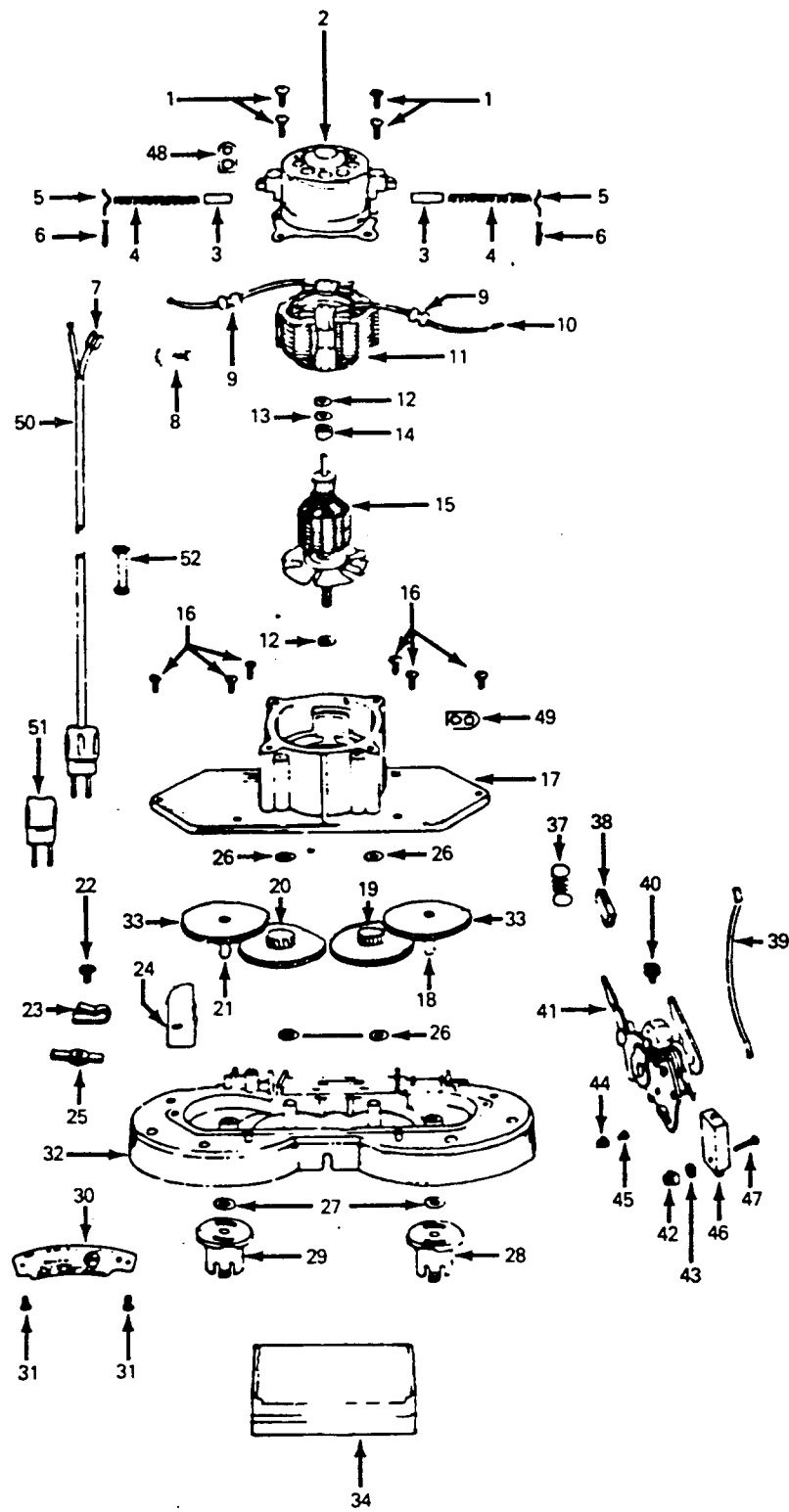


Motor & Handle

Models 5140, 5146, 5148, 5150, 5158,
5158-01, 5160, 5168, 5168-01



Motor & Handle

Models 5140, 5146, 5148, 5150, 5158,
5158-01, 5160, 5168, 5168-01

Ref.	Part Description	No.	No.
1	17001FW	*	Screw
2	42197002		Motor Cap Assem.
3	49351	+	Motor Brush
4	49423	+	Motor Brush Spring
5	49397	+	Retainer
6	49435	+	Pin
7	160356	*	Terminal
8	48969	*	Wire Nut
9	49379	+	Lead Wire Collar
10	14197	+	Terminal
11	23444		Field Assem.
12	21312720	*	Washer
13	15865	*	Washer
14	49344	+	Insulator
15	23445		Armature
16	49417AZ	+	Screw
17	12165		Gear Cover Assem.
18	168404	+	Brush Gear & Shaft - L.H.
19	35674		Idler Gear - L.H.
20	35675BZ		Idler Gear - R.H.
21	168405		Brush Gear & Shaft - R.H.
22	14378	+	Screw
23	12910		Cord Clamp
24	14367	+	Cord Insulator
25	49388AY	+	Bail Shaft - R.H.
26	21312724	*	Washer
27	21312757	*	Washer
28	17308		Brush Carrier - L.H.
29	17309		Brush Carrier - R.H.
30	17869	+	Patent Plate - 5140
	17870	+	Patent Plate - 5146
	17871	+	Patent Plate - 5148
	166113	+	Data Plate - 5150
	166118	+	Data Plate - 5160
31	49508	+	Screw
32	42273011		Gear Housing Comp.
33	38541002		Brush Gear
34	17074AG	+	Hood Adapter
37	12891		Handle Control Lever Spring
38	34207AG		Foot Pad
39	12574	+	Lead Wire by Foot
40	49429	+	Screw
41	35676	+	Bail Mtg. Bracket w/Arm
	165104		Bail Mtg. Bracket w/Switch w/o Arm 5150 thru 5168-01
	43138001	+	Bail Mtg. Bracket w/o Arm 5150 thru 5160
42	21388105	+	Nut - Special
43	21312761	*	Washer
44	14377	+	Switch Insulator
45	14360	+	Eyelet
46	19512AH		Switch - 5150 thru 5168-01
47	12892	*	Screw - Machine
48	13190	+	Lead Wire Holder
49	45517	*	Wire Holder
50	46363338		Attach. Cord
	12887HH	+	Attach. Cord - 5158-01, 5168-01
51	35380		Service Plug Assem.
52	14504	+	Bail Socket Insulator

Handle & Hood

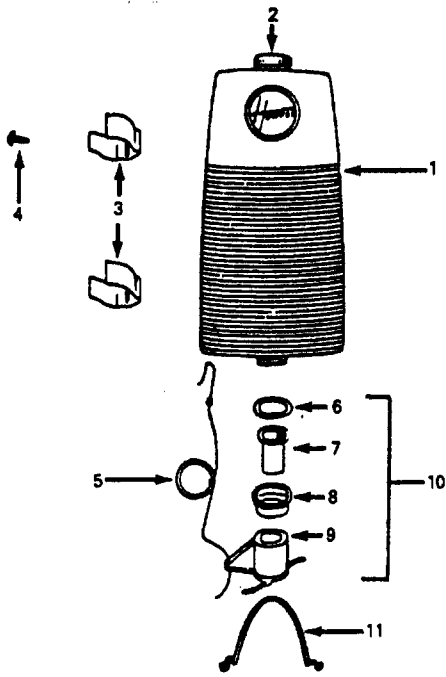
Ref. No.	Part No.	Description	
1	49137LL	+ Handle Assem. - Upper Half	
	35568JM	+ Handle Assem. - Upper Half - 5158-01, 5168-01	
2	48294AW	Handle Bolt & Nut	
3	12910	Cord Clamp	
4	35007JM	Handle - Lower Half - 5158-01, 5168-01	
	37007LL	+ Handle - Lower Half	
	17876LL	+ Bail	
	41415002	Bail Assem. Comp. 5150 thru 5168-01	
6	49433	+	Screw
7	19978BG	+	Bail Arm Retainer
8	17880DL	+	Hood Comp. - 5146, 5148, 5150, 5160
	167015DL	+	Hood Comp. - 5158
	167015EY	+	Hood Comp. - 5158-01
	167016DY	+	Hood Comp. - 5168
	167016EW	+	Hood Comp. - 5168-01
9	47779	+	Hood Attach. Plate
10	44099	+	Screw
11	17874JM		Furniture Guard
12	12738	+	Screw
13	49188	+	Screw

ITEMS NOT ILLUSTRATED

168505	+	Brush Shaft Bushing
12622	*	Plastic Washer used w/Bushing 168505

Tank Accessories

**Models 5140, 5146, 5148, 5150, 5158,
5158-01, 5160, 5168, 5168-01**



Ref. No.	Part Description	No.	No.
1	14464BZ	+	Liquid Dispenser Tank
2	14486JM	+	Tank Cap
3	49482JM	+	Clamp Spring Clip
4	160548	+*	Screw
5	35413	+	Pull Cord, Hook & Ring Assem.
6	49539	+*	Gasket
7	35412	+	Valve Body
8	49490	+	Cap
9	35415	+	Valve Sleeve & Hose Assem.
10	43516003	+	Valve Assem.
11	35576	+	Hose Guide
12	48436045		Polishing/Scrubbing Brush
13	19619AG	+	Scrubbing Brush
14	18360		High Lustre Pads - Pair
15	18361		Felt Buffing Pads - Pair
16	18362		C. & W. Pads - Pair
17	15636		Rug Shampoo Brush
18	15844		Pad Fastener
19	15217HH	+	Foam - Wax Dispenser
	15217DN	+	Foam - Wax Dispenser - 5150, 5168
	15217A	+	Foam - Wax Dispenser - 5168-01

ITEMS NOT ILLUSTRATED

18996		Steel Wool Pads - Pair
18891BZ	+	Liquid Tank

