

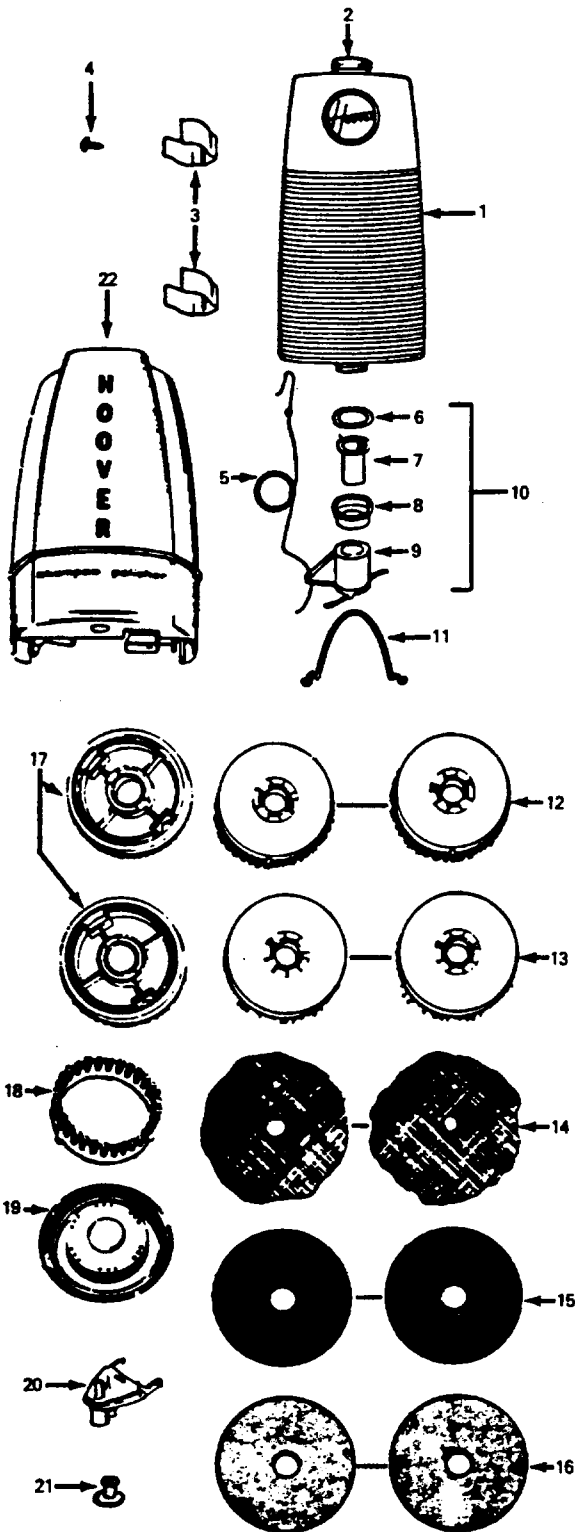
Ref.	Part Description	No.	No.
1	17001FW	*	Screw
2	49435	+*	Pin
3	49397	+*	Retainer
4	14882	+	Motor Brush Assem.
5	21312756	*	Washer
6	42197002		Motor Cap Assem.
7	160356	*	Terminal
8	35583		Shaft & Nut - R.H.
9	48969	*	Wire Nut
10	49379	+	Lead Wire Collar
11	42273011		Gear Housing Comp.
12	14793	+	Field Assem.
13	15865	*	Washer
14	49407	+*	Washer
15	49344	+*	Insulator
16	49388AY	+	Bail Shaft - R.H.
17	21312724	*	Washer
18	14794	+	Armature
19	49417AZ	+*	Screw
20	12165		Gear Cover Assem.
21	35676	+	Bail Mounting Bracket Assem.
22	49429	+*	Screw
23	35584	+	Shaft & Nut - L.H.
24	168402		Brush Shaft & Insert - R.H.
25	35675BZ		Idler Gear - R.H.
26	35674		Idler Gear - L.H.
27	168403		Brush Shaft & Gear - L.H.
28	12891		Handle Control Lever Spring
29	34207AG		Foot Pad
30	38541002		Brush Gear

ITEMS NOT ILLUSTRATED

12910			Cord Clamp
13190	+*		Lead Wire Holder
45517	*		Wire Holder
14367	+*		Cord Insulator

**Polisher Accessories**

**Models 5020, 5130, 5131, 5137, 5200, 5240, 5350, 5450, 5460, 5466, 5468, 5476**

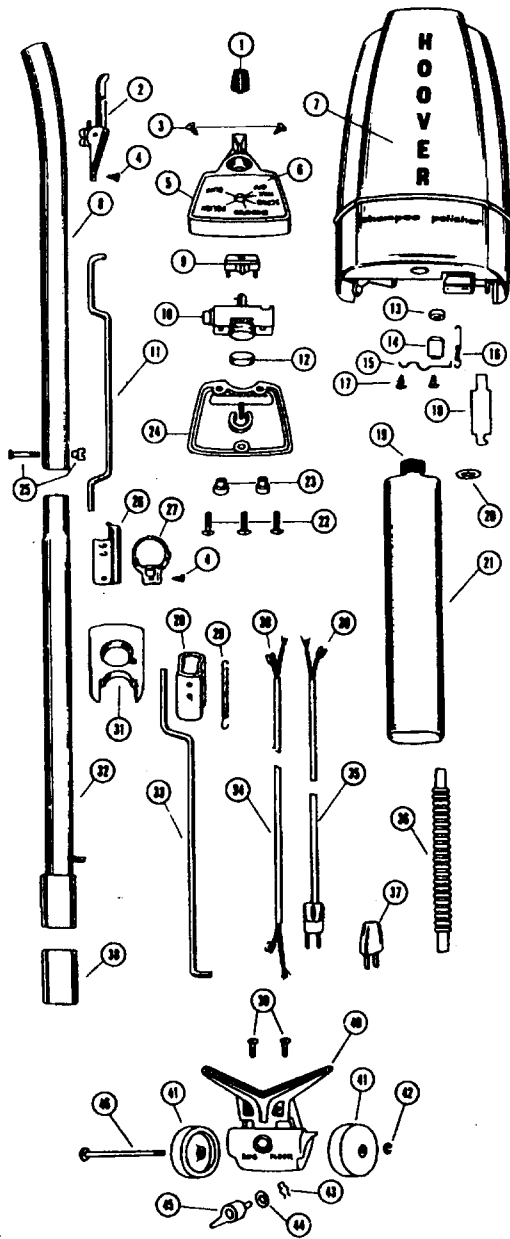


Ref. No.	Part Description	No.	No.
1	14464BA + Liquid Dispenser Tank - 1-1/2 Qt.		
	18891BZ + Liquid Dispenser Tank - 1 Qt..		
2	14486JM + Tank Cap		
3	49482JM + Clamp Spring Clip		
4	160548 +* Screw		
5	35413 + Pull Cord, Hook & Ring Assem.		
6	49539 +* Gasket		
7	35412 + Valve Body		
8	49490 + Cap		
9	35415 + Valve Sleeve & Hose Assem.		
10	43516003 + Valve Assem.		
11	35576 + Hose Guide		
12	35354 Floor Polisher Brush - Models B		
	35580 + Waxing & Scrubbing Brushes - Models A		
13	35613 Polishing Brush - Models A		
	35354 Polishing Brush - Models B		
14	13197 High Lustre Pads, Pair - Models A		
	13198 + High Lustre Pads, Pair - Models B		
15	48432014 Felt Buffing Pads, Pair - Models A		
	13194 + Felt Polishing Pads, Pair - Models B		
16	13195 C. & W. Pads, Pair - Models A		
	13196 + C. & W. Pads, Pair - Models B		
17	15116 Rug Shampoo Brush & Body - Models A		
18	35419 + Rug Shampoo Brush - Models B		
19	35418 + Rug Shampoo Body - Models B		
	35384 + Rug Shampoo Assem. - Models B		
20	15217HH + Foam Wax Dispenser - Models A		
21	13131 Plastic Fastener - Models A		
	13132 + Plastic Fastener - Models B		
22	35460BB + Detergent Tank - 5200, 5468, 5476		
	35460G + Detergent Tank - 5460, 5466		

**ITEMS NOT ILLUSTRATED**

35575	+ Can Clamp Lever Assem.
35656	+ Spring for 35575
23067	+ Rug Applicator - 5020, 5450
161084	Steel Wool Pads, Pair - Models A

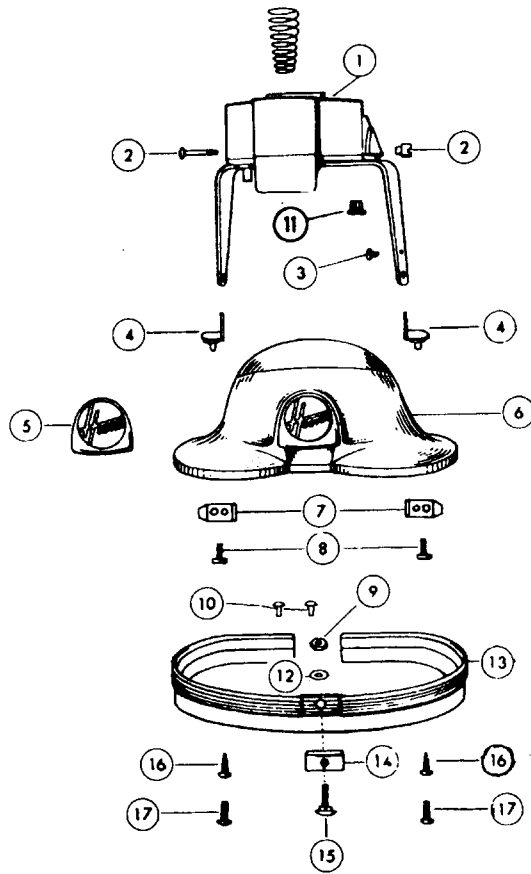
Models A - 5130,5131, 5137,5200,5350, 5460, 5466,5468,5476  
 Models B - 5020, 5240, 5450



Ref.	Part Description	No.	No.
1	13743A	+	Control Knob
	35433JM	+	Control Housing - 5476
3	14863	+*	Screw
4	21465314	*	Screw
5	14820A	+	Speed Control Box
6	14835	+	Indicator Plate
7	35460BB	+	Detergent Tank - 5476
8	15921LL	+	Upper Handle Assem. - 5476
	14787A	+	Upper Handle - 5200
9	14821	+	Spacer
10	36935	+	Speed Control Unit
11	35405	+	Upper Valve Rod
12	163434	+	Pressure Pad
13	48831	+*	Seal
14	35215T	+	Tank Valve
15	35379	+	Valve Closure Support
16	49220	+	Spring
17	19254	+*	Screw
18	49126	+	Tank Valve Depressor
19	49507	+	Wax Bottle Cap
20	49506	+*	Washer
21	49187	+	Wax Bottle Assem.
22	14865	+*	Screw
23	12226	+	Strain Relief Bushing
24	14839LL	+	Control Box Bottom
25	48294AW		Handle Bolt & Nut
26	35454DM	+	Cap Retainer - 5476
27	49219CC	+	Latch Assem.
28	12465	+	Handle Plug
29	12984AY		Spring
30	160356	*	Terminal
31	11902X	+	Detergent Tank Cap
32	35434CC	+	Handle Assem. - Lower Half - 5476
	35007JM		Lower Handle - 5200
33	612866	+	Lower Valve Rod
34	15943T	+	Cord - 5476
	14830T	+	Cord - 5200
35	14786T	+	Attach. Cord
36	17473		Distributor Hose
37	35380		Service Plug Assem.
38	35430	+	Handle Insulator - 5476
39	12956	*	Screw
40	18853DN	+	Wheel Carriage & Distr. - 5476
41	32175003		Caster Wheel
42	13306	*	Ring
43	12979	*	Ring
44	18249	+*	Washer
45	17234JM	+	Valve Body
46	35662AY	+	Wheel Shaft

ITEMS NOT ILLUSTRATED

12910	Cord Clamp - 5200
-------	-------------------



Ref. No.	Part No.	Description
1	35644CC	+ Bail - 5476
	35605A	+ Bail Assem. - 5200
2	48294AW	Handle Bolt & Nut
3	49433	+* Screw
4	19978BG	+ Bail Arm Retainer
5	35581	+ Nameplate
6	23450CC	+ Hood Comp.
7	47779	+ Hood Attach. Plate
8	44099	+* Screw
9	15673	* Nut - Hex
10	49571AY	+ Rivet - 5476
11	14491	+ Snap Bushing
12	12236	+* Washer
13	23469A	+ Furniture Guard - 5476
	23401A	+ Furniture Guard - 5200 (Wide)
14	49403	+ Furniture Guard Retainer
15	12548	+ Carriage Bolt
16	12738	+* Screw
17	49188	+* Screw

ITEMS NOT ILLUSTRATED

14503	+ Insulating Tube
14504	+ Bail Socket Insulator - 5200