

Gear & Motor Housing

Model F2101, F2300

| Ref. No. | Part No. | Description |
|----------|----------|------------------------------------|
| 1 | 41415002 | Bail Assembly - AAP |
| 2 | 48294AW | Handle Bolt & Nut (2) |
| 3 | 14504 | + Bail Socket Insulator |
| 4 | 12910 | Attach. Cord Clamp |
| 5 | 35568JM | + Handle Assem. - Upper - F2101 |
| | 48643005 | Handle Assem. - Upper - AX - F2300 |
| 6 | 35007JM | Handle - Lower Half - F2101 |
| | 48631184 | Handle - Lower Half - AX - F2300 |
| 7 | 46363281 | + Attach. Cord - AAP |
| | 46363338 | Attach. Cord - AG |
| 8 | 12227 | Insulated Terminal |
| 9 | 17001FW | Screw - Self Tapping (4) |
| 10 | 13190 | +* Lead Wire Holder |
| 11 | 42197002 | Motor Cap Assem. |
| 12 | 46116001 | Lead Wire - White |
| 13 | 47311005 | Motor Brush (2) (Inc. item 14) |
| 14 | 38311009 | + Motor Brush Spring (2) |
| 15 | 49379 | + Lead Wire Collar (2) |
| 16 | 45517 | Lead Wire Holder |
| 17 | 23444 | Field Assem. Comp. - F2101 |
| | 45314011 | Field Assem. Comp - F2300 |
| 18 | 12653 | + Baffle |
| 19 | 21312720 | * Washer (5) |
| 20 | 31148006 | Spacer |
| 21 | 23445 | Armature |
| 22 | 21447007 | * Screw - Self Tapping (5) |
| 23 | 12165 | Gear Cover Assem. |
| 24 | 168402 | Brush Shaft & Insert Assem. |
| 25 | 38541002 | Brush Gear (2) |
| 26 | 35675BZ | Idler Gear - RH |
| 27 | 36131030 | + Retainer - BZ |
| 28 | 21312724 | * Washer (2) |
| 29 | 49571AY | +* Rivet - Tubular (2) |
| 30 | 21312788 | +* Washer (2) |
| 31 | 31523008 | Wheel Shaft - AY (2) |
| 32 | 32175025 | Wheel - AG (2) |
| 33 | 21312756 | * Washer - GA (2) |
| 34 | 21447020 | * Screw - Self Tapping (4) |
| 35 | 35613 | Polishing Brush (2) |
| | 48436046 | Polishing Brush (2) - F2300 |

| Ref. No. | Part No. | Description | No. | No. |
|----------|----------|---|-----|-----|
| 36 | 48432014 | Polishing Pad - Pair (Incl. Pad Fasteners) | | |
| | 48483002 | Soft Cloth Pad - Pair (Incl. Pad Fasteners) | | |
| 37 | 32172004 | Polishing Pad Fastener (2) | | |
| 38 | 35583 | Shaft Nut - RH | | |
| 39 | 35584 | + Shaft Nut - LH | | |
| 40 | 36231132 | Furniture Guard - AAP - F2101 | | |
| | 36231152 | Furniture Guard - ACN - F2300 | | |
| 41 | 42273010 | Gear Housing Comp. - AG (Incl. Items 31,32) | | |
| 42 | 35674 | Idler Gear - LH | | |
| 43 | 12891 | Handle Control Lever Spring | | |
| 44 | 165104 | Bail Mounting Bracket w/Switch (Incl. Items 43,45,46,47,48,49,50) | | |
| 45 | 21388105 | +* Nut - Special | | |
| 46 | 21312761 | * Washer | | |
| 47 | 12892 | * Screw - Machine | | |
| 48 | 19512AH | Switch Assem. | | |
| 49 | 14360 | +* Eyelet | | |
| 50 | 14377 | +* Switch Insulator | | |
| 51 | 34207AG | Handle Cont. Lever Foot Pad - F2101 | | |
| | 38426003 | Handle Cont. Lever Foot Pad - F2300 | | |
| 52 | 168403 | Brush Shaft & Insert Assem. | | |
| 53 | 42271011 | Hood Comp. - AAM - F2101 | | |
| | 42271012 | Hood Comp. w/ nameplate - AG - F2300 | | |

PACKAGING MATERIAL

| | |
|----------|-----------------------------|
| 58142114 | + Carton |
| 58142132 | Carton - F2300 |
| 58347001 | Bottom Support |
| 56518106 | Owner Manual - F2101, F2300 |

ITEMS NOT ILLUSTRATED

| | |
|----------|--------------------------|
| 39454072 | Handle Grip - AG - F2300 |
| 52313040 | Hood Nameplate - F2300 |

ACCESSORIES - F2101

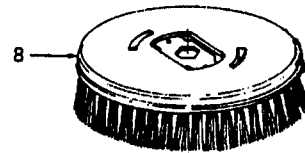
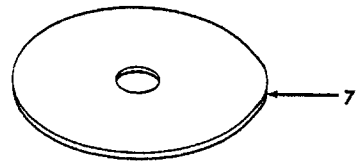
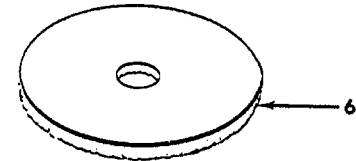
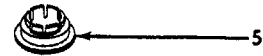
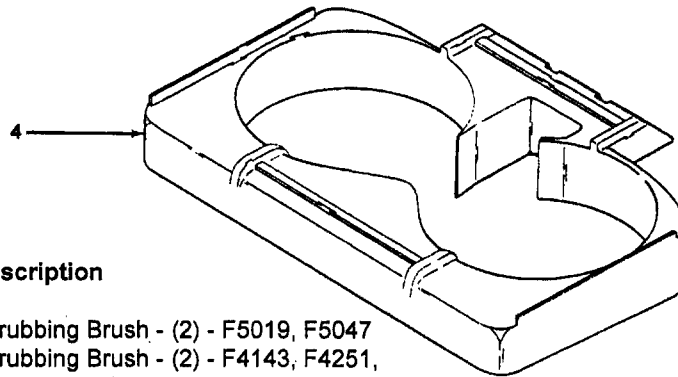
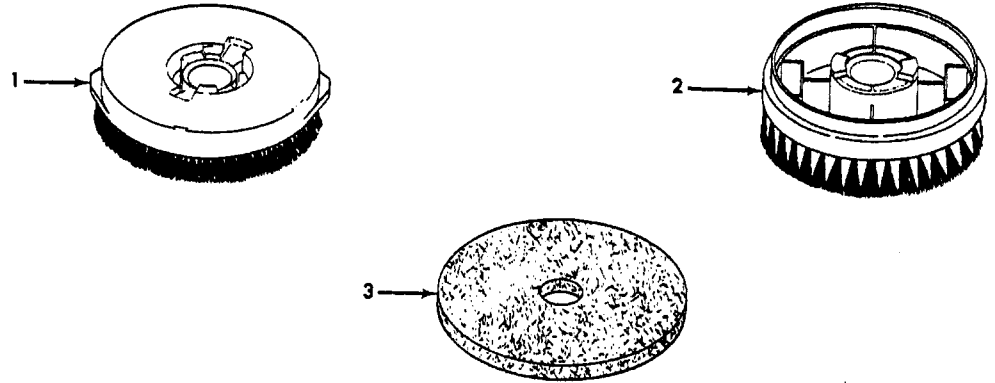
| | |
|----------|------------------------------|
| 13195 | Cleaning - Waxing Pads - Pr. |
| 13197 | High Lustre Pads - Pr. |
| 48432014 | Felt Buffing Pads - Pr. |
| 15116 | Rug Shampoo Brush - (2) |

ACCESSORIES - F2300

| | |
|----------|------------------------------|
| 48436046 | Polishing Brush (2) |
| 48432014 | Felt Buffing Pads - Pair |
| 48483002 | Soft Cloth Pads - Pair |
| 40303032 | Bare Floor Solution - 32 oz. |

Brushes & Pads

Models F3119, F4143, F4251, F4251-060, F4255, F4255-040, F4300, F4323, F5019, F5047, F5300, F5300-060



| Ref. No. | Part No. | Description |
|----------|---------------------------------|---|
| 1 | 48436008 48436045 | Scrubbing Brush - (2) - F5019, F5047 Scrubbing Brush - (2) - F4143, F4251, F4251-060, F4255, F4323 |
| 2 | 48436047 15636 | Scrubbing Brush - (2) - F5300, F5300-060 Rug Shampoo Brush - (2) - F5019, F5047, F5300, F5300-060 |
| | 48437005 | Rug Shampoo Brush - (2) - F3119, F4143, F4251, F4251-060, F4255, F4300, F4323 |
| 3 | 18362 | Cleaning-Waxing Pads - Pair - F4143, F4251, F4251-060, F4255, F4300, F4323, F5019, F5047, F5300, F5300-060 |
| | 13195 | Cleaning-Waxing Pads - Pair - F4255-040 |
| 4 | 16543JX 37275005 37275018 | + Rug Shampoo Attach. Rug Shampoo Attach. - AAM - F5019, F5047 Rug Shampoo Attach. - AG - F5300, F5300-060 |
| 5 | 15844 | Pad Fastener - (2) - F4143, F4251, F4251-060, F4255, F4300, F4323, F5019, F5047, F5300, F5300-060 |
| 6 | 32172004 18360 | Pad Fastener - (2) - F4255-040 High Lustre Pads - Pair - F4255, F5019, F5047, F5300, F5300-060 (2pr.) |
| 7 | 13197 18361 | High Lustre Pads - Pair - F4255-040 Felt Buffing Pads - Pair - F4143, F4251, F4251-060, F4300, F5019, F5047, F5300, F5300-060 (2pr.) |
| | 48432014 | Felt Buffing Pads - Pair - F4255-040 |
| | 48483003 | Soft Cloth Pads - F4300, F5300, F5300-060 (2pr.) |
| 8 | 35613 48436045 | Polishing Brush - F4255-040 Scrubbing Brush - F4300 |

ITEMS NOT ILLUSTRATED

| | |
|----------|---|
| 40301200 | Rug and Carpet Shampoo - 32 Oz. (Optional) - F5300, F5300-060 |
| 57333001 | Rug and Carpet Shampoo - 16 Oz. - F4300, F5300, F5300-060 |
| 40303032 | Bare Floor Solution - 32 Oz. - F4300, F5300, F5300-060 |