

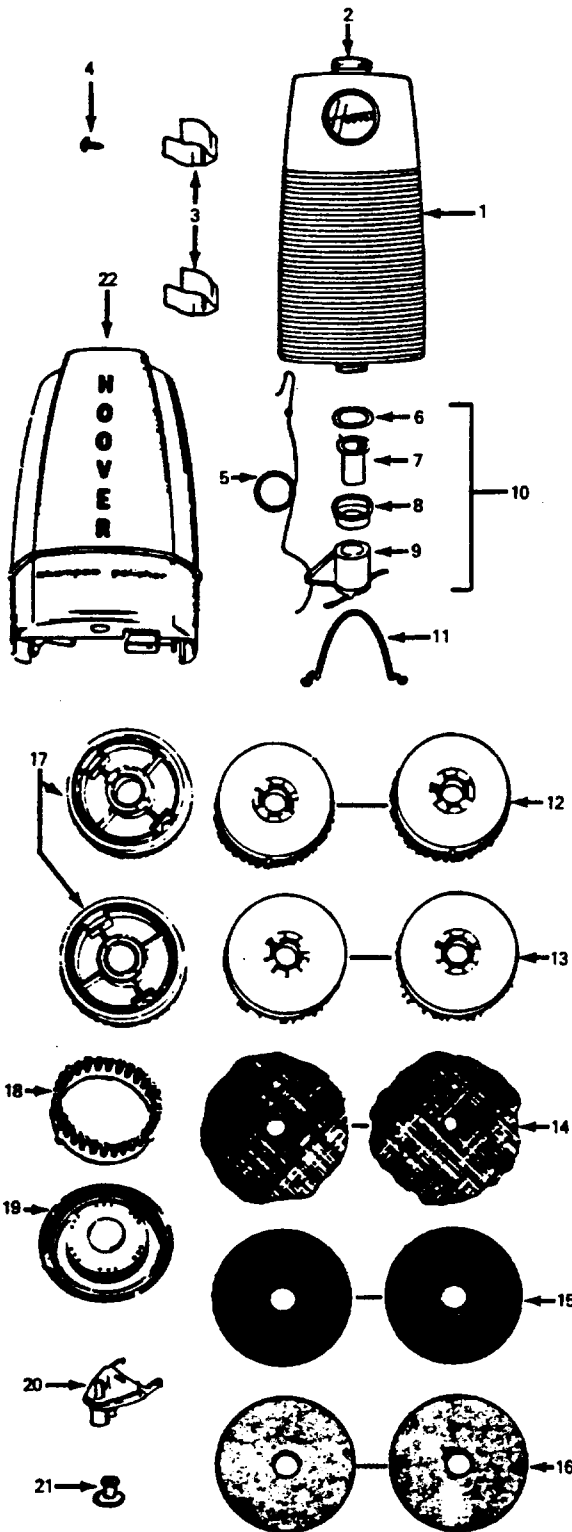
Ref.	Part Description	No.	No.
1	17001FW	*	Screw
2	49435	+*	Pin
3	49397	+*	Retainer
4	14882	+	Motor Brush Assem.
5	21312756	*	Washer
6	42197002		Motor Cap Assem.
7	160356	*	Terminal
8	35583		Shaft & Nut - R.H.
9	48969	*	Wire Nut
10	49379	+	Lead Wire Collar
11	42273011		Gear Housing Comp.
12	14793	+	Field Assem.
13	15865	*	Washer
14	49407	+*	Washer
15	49344	+*	Insulator
16	49388AY	+	Bail Shaft - R.H.
17	21312724	*	Washer
18	14794	+	Armature
19	49417AZ	+*	Screw
20	12165		Gear Cover Assem.
21	35676	+	Bail Mounting Bracket Assem.
22	49429	+*	Screw
23	35584	+	Shaft & Nut - L.H.
24	168402		Brush Shaft & Insert - R.H.
25	35675BZ		Idler Gear - R.H.
26	35674		Idler Gear - L.H.
27	168403		Brush Shaft & Gear - L.H.
28	12891		Handle Control Lever Spring
29	34207AG		Foot Pad
30	38541002		Brush Gear

ITEMS NOT ILLUSTRATED

12910			Cord Clamp
13190	+*		Lead Wire Holder
45517	*		Wire Holder
14367	+*		Cord Insulator

**Polisher Accessories**

**Models 5020, 5130, 5131, 5137, 5200, 5240, 5350, 5450, 5460, 5466, 5468, 5476**



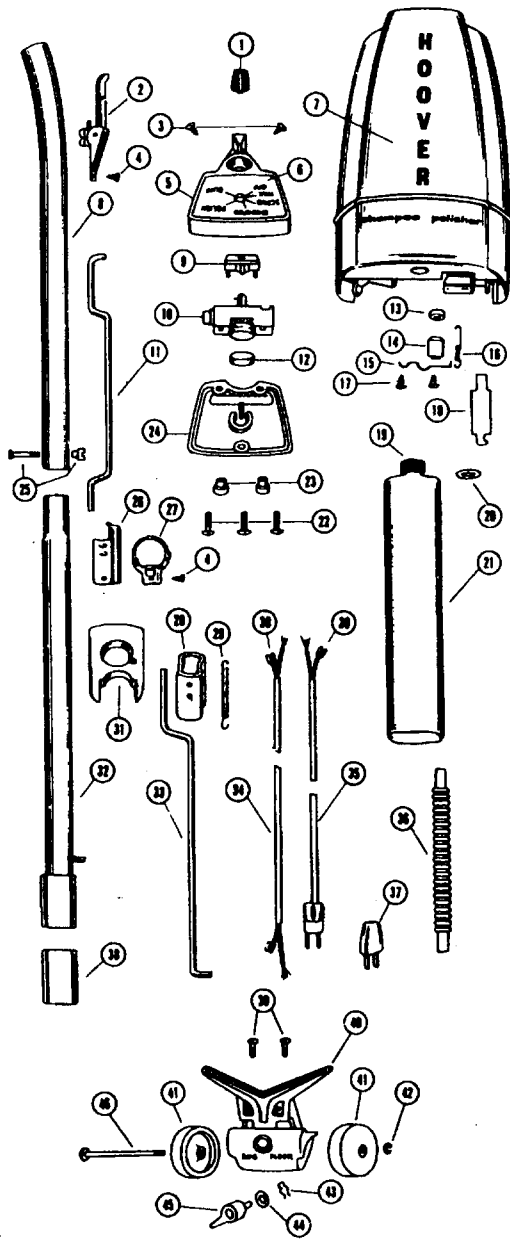
Ref. No.	Part Description	No.	No.
1	14464BA	+	Liquid Dispenser Tank - 1-1/2 Qt.
	18891BZ	+	Liquid Dispenser Tank - 1 Qt..
2	14486JM	+	Tank Cap
3	49482JM	+	Clamp Spring Clip
4	160548	+*	Screw
5	35413	+	Pull Cord, Hook & Ring Assem.
6	49539	+*	Gasket
7	35412	+	Valve Body
8	49490	+	Cap
9	35415	+	Valve Sleeve & Hose Assem.
10	43516003	+	Valve Assem.
11	35576	+	Hose Guide
12	35354		Floor Polisher Brush - Models B
	35580	+	Waxing & Scrubbing Brushes - Models A
13	35613		Polishing Brush - Models A
	35354		Polishing Brush - Models B
14	13197		High Lustre Pads, Pair - Models A
	13198	+	High Lustre Pads, Pair - Models B
15	48432014		Felt Buffing Pads, Pair - Models A
	13194	+	Felt Polishing Pads, Pair - Models B
16	13195		C. & W. Pads, Pair - Models A
	13196	+	C. & W. Pads, Pair - Models B
17	15116		Rug Shampoo Brush & Body - Models A
18	35419	+	Rug Shampoo Brush - Models B
19	35418	+	Rug Shampoo Body - Models B
	35384	+	Rug Shampoo Assem. - Models B
20	15217HH	+	Foam Wax Dispenser - Models A
21	13131		Plastic Fastener - Models A
	13132	+	Plastic Fastener - Models B
22	35460BB	+	Detergent Tank - 5200, 5468, 5476
	35460G	+	Detergent Tank - 5460, 5466

**ITEMS NOT ILLUSTRATED**

35575	+	Can Clamp Lever Assem.
35656	+	Spring for 35575
23067	+	Rug Applicator - 5020, 5450
161084		Steel Wool Pads, Pair - Models A

Models A - 5130,5131, 5137,5200,5350, 5460, 5466,5468,5476

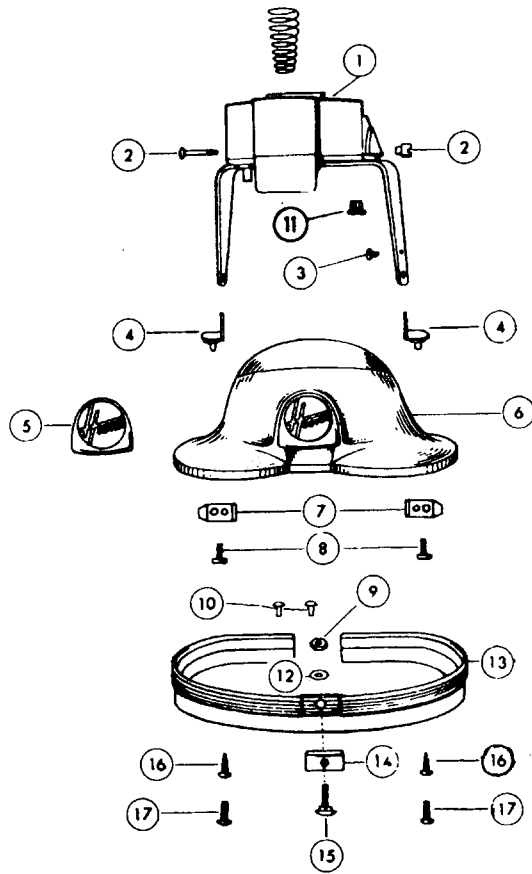
Models B - 5020, 5240, 5450



Ref. No.	Part Description	No.	No.
1	13743A	+	Control Knob
	35433JM	+	Control Housing - 5476
3	14863	+*	Screw
4	21465314	*	Screw
5	14820A	+	Speed Control Box
6	14835	+	Indicator Plate
7	35460BB	+	Detergent Tank - 5476
8	15921LL	+	Upper Handle Assem. - 5476
	14787A	+	Upper Handle - 5200
9	14821	+	Spacer
10	36935	+	Speed Control Unit
11	35405	+	Upper Valve Rod
12	163434	+	Pressure Pad
13	48831	+*	Seal
14	35215T	+	Tank Valve
15	35379	+	Valve Closure Support
16	49220	+	Spring
17	19254	+*	Screw
18	49126	+	Tank Valve Depressor
19	49507	+	Wax Bottle Cap
20	49506	+*	Washer
21	49187	+	Wax Bottle Assem.
22	14865	+*	Screw
23	12226	+	Strain Relief Bushing
24	14839LL	+	Control Box Bottom
25	48294AW		Handle Bolt & Nut
26	35454DM	+	Cap Retainer - 5476
27	49219CC	+	Latch Assem.
28	12465	+	Handle Plug
29	12984AY		Spring
30	160356	*	Terminal
31	11902X	+	Detergent Tank Cap
32	35434CC	+	Handle Assem. - Lower Half - 5476
	35007JM		Lower Handle - 5200
33	612866	+	Lower Valve Rod
34	15943T	+	Cord - 5476
	14830T	+	Cord - 5200
35	14786T	+	Attach. Cord
36	17473		Distributor Hose
37	35380		Service Plug Assem.
38	35430	+	Handle Insulator - 5476
39	12956	*	Screw
40	18853DN	+	Wheel Carriage & Distr. - 5476
41	32175003		Caster Wheel
42	13306	*	Ring
43	12979	*	Ring
44	18249	+*	Washer
45	17234JM	+	Valve Body
46	35662AY	+	Wheel Shaft

ITEMS NOT ILLUSTRATED

12910	Cord Clamp - 5200
-------	-------------------



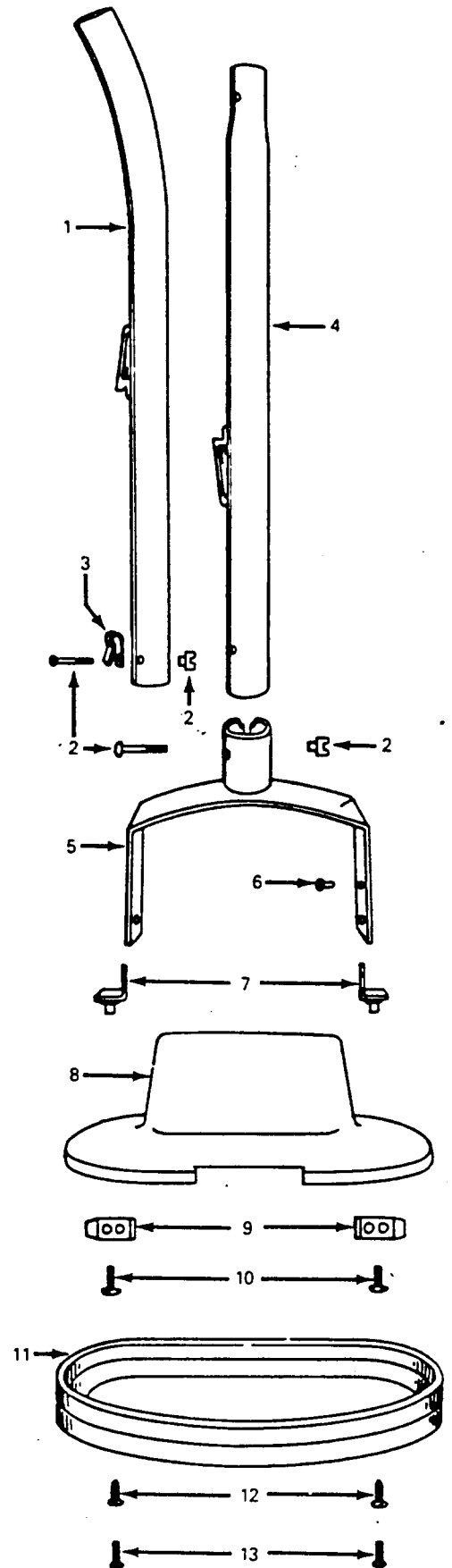
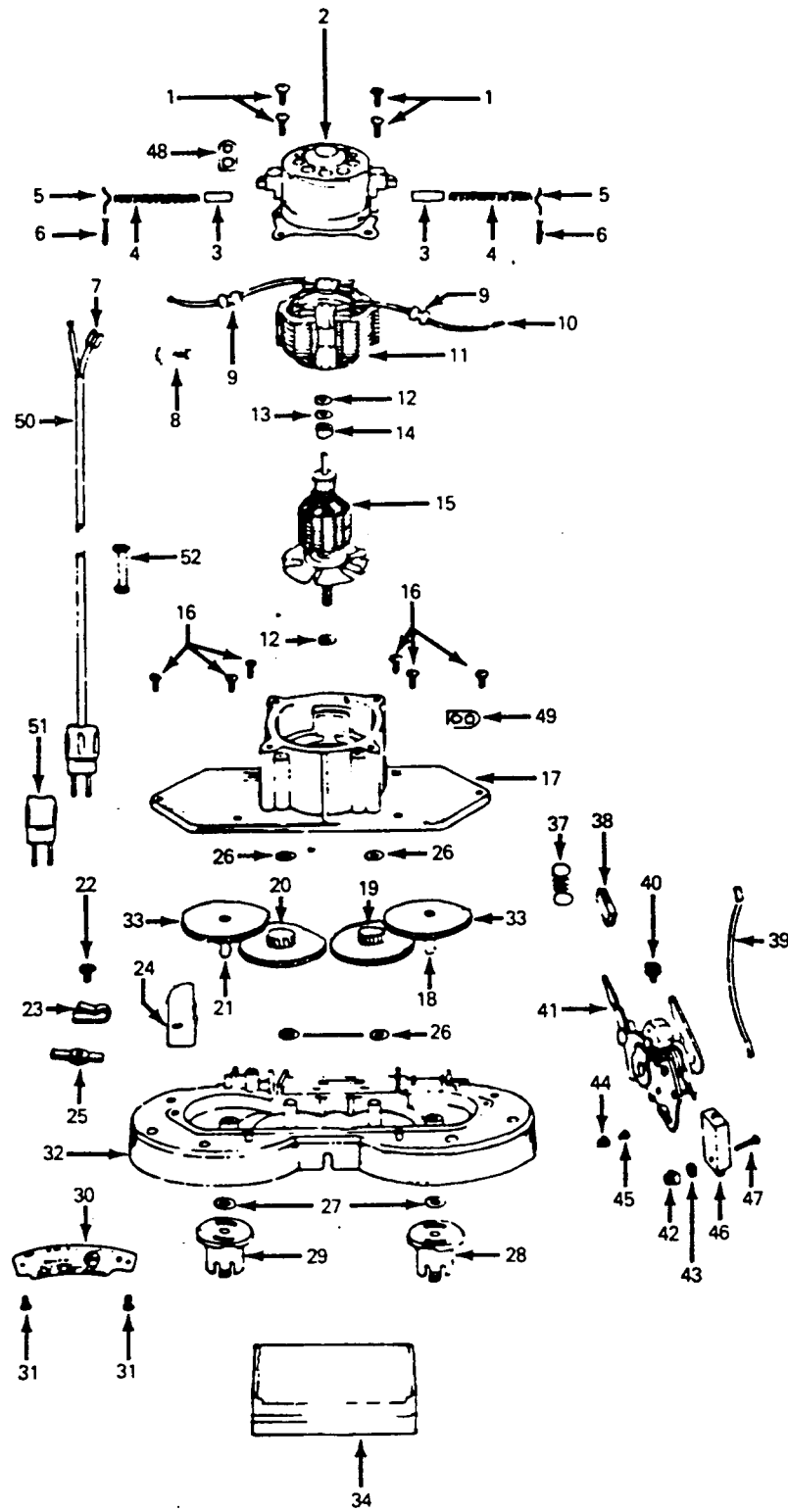
Ref. No.	Part No.	Description
1	35644CC	+ Bail - 5476
	35605A	+ Bail Assem. - 5200
2	48294AW	Handle Bolt & Nut
3	49433	+* Screw
4	19978BG	+ Bail Arm Retainer
5	35581	+ Nameplate
6	23450CC	+ Hood Comp.
7	47779	+ Hood Attach. Plate
8	44099	+* Screw
9	15673	* Nut - Hex
10	49571AY	+ Rivet - 5476
11	14491	+ Snap Bushing
12	12236	+* Washer
13	23469A	+ Furniture Guard - 5476
	23401A	+ Furniture Guard - 5200 (Wide)
14	49403	+ Furniture Guard Retainer
15	12548	+ Carriage Bolt
16	12738	+* Screw
17	49188	+* Screw

ITEMS NOT ILLUSTRATED

14503	+ Insulating Tube
14504	+ Bail Socket Insulator - 5200

# Motor & Handle

Models 5140, 5146, 5148, 5150, 5158,  
5158-01, 5160, 5168, 5168-01



# Motor & Handle

Models 5140, 5146, 5148, 5150, 5158,  
5158-01, 5160, 5168, 5168-01

Ref.	Part Description	No.	No.
1	17001FW	*	Screw
2	42197002		Motor Cap Assem.
3	49351	+	Motor Brush
4	49423	+	Motor Brush Spring
5	49397	+	Retainer
6	49435	+	Pin
7	160356	*	Terminal
8	48969	*	Wire Nut
9	49379	+	Lead Wire Collar
10	14197	+	Terminal
11	23444		Field Assem.
12	21312720	*	Washer
13	15865	*	Washer
14	49344	+	Insulator
15	23445		Armature
16	49417AZ	+	Screw
17	12165		Gear Cover Assem.
18	168404	+	Brush Gear & Shaft - L.H.
19	35674		Idler Gear - L.H.
20	35675BZ		Idler Gear - R.H.
21	168405		Brush Gear & Shaft - R.H.
22	14378	+	Screw
23	12910		Cord Clamp
24	14367	+	Cord Insulator
25	49388AY	+	Bail Shaft - R.H.
26	21312724	*	Washer
27	21312757	*	Washer
28	17308		Brush Carrier - L.H.
29	17309		Brush Carrier - R.H.
30	17869	+	Patent Plate - 5140
	17870	+	Patent Plate - 5146
	17871	+	Patent Plate - 5148
	166113	+	Data Plate - 5150
	166118	+	Data Plate - 5160
31	49508	+	Screw
32	42273011		Gear Housing Comp.
33	38541002		Brush Gear
34	17074AG	+	Hood Adapter
37	12891		Handle Control Lever Spring
38	34207AG		Foot Pad
39	12574	+	Lead Wire by Foot
40	49429	+	Screw
41	35676	+	Bail Mtg. Bracket w/Arm
	165104		Bail Mtg. Bracket w/Switch w/o Arm 5150 thru 5168-01
	43138001	+	Bail Mtg. Bracket w/o Arm 5150 thru 5160
42	21388105	+	Nut - Special
43	21312761	*	Washer
44	14377	+	Switch Insulator
45	14360	+	Eyelet
46	19512AH		Switch - 5150 thru 5168-01
47	12892	*	Screw - Machine
48	13190	+	Lead Wire Holder
49	45517	*	Wire Holder
50	46363338		Attach. Cord
	12887HH	+	Attach. Cord - 5158-01, 5168-01
51	35380		Service Plug Assem.
52	14504	+	Bail Socket Insulator

# Handle & Hood

Ref. No.	Part No.	Description	
1	49137LL	+ Handle Assem. - Upper Half	
	35568JM	+ Handle Assem. - Upper Half - 5158-01, 5168-01	
2	48294AW	Handle Bolt & Nut	
3	12910	Cord Clamp	
4	35007JM	Handle - Lower Half - 5158-01, 5168-01	
	37007LL	+ Handle - Lower Half	
	17876LL	+ Bail	
	41415002	Bail Assem. Comp. 5150 thru 5168-01	
6	49433	+	Screw
7	19978BG	+	Bail Arm Retainer
8	17880DL	+	Hood Comp. - 5146, 5148, 5150, 5160
	167015DL	+	Hood Comp. - 5158
	167015EY	+	Hood Comp. - 5158-01
	167016DY	+	Hood Comp. - 5168
	167016EW	+	Hood Comp. - 5168-01
9	47779	+	Hood Attach. Plate
10	44099	+	Screw
11	17874JM		Furniture Guard
12	12738	+	Screw
13	49188	+	Screw

# ITEMS NOT ILLUSTRATED

168505	+	Brush Shaft Bushing
12622	*	Plastic Washer used w/Bushing 168505