

Motor & Housing

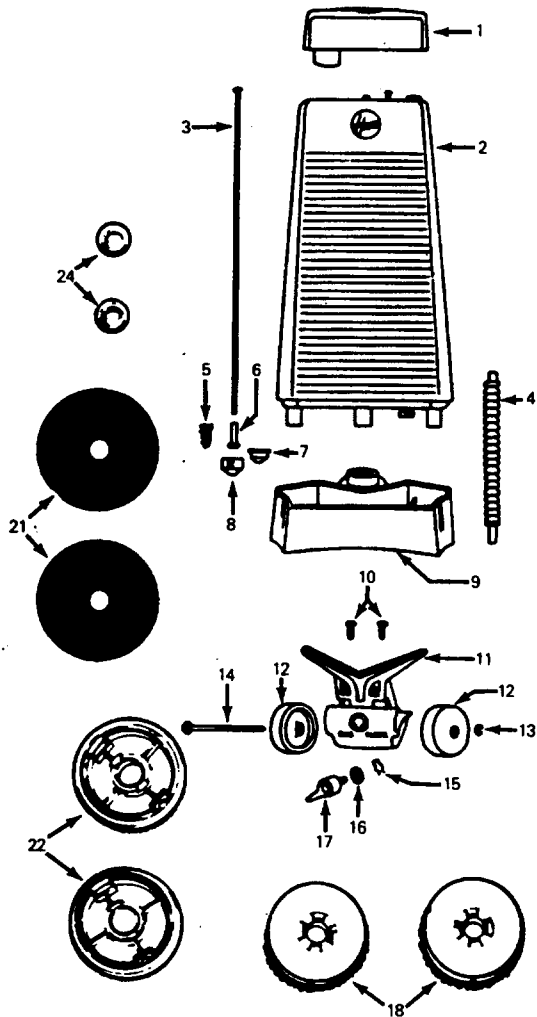
Models F4005, F4005-001, F4005-101, F4005-002

| Ref. | Part Description | No. | No. |
|------|------------------|--------------------------------|-----|
| 1 | 17001FW | * Screw | |
| 2 | 42197002 | Motor Cap Assem. | |
| | 42197003 | + Motor Cap Assem. - F4005-002 | |
| 3 | 49351 | + Motor Brush | |
| | 47311005 | Motor Brush - F4005-002 | |
| 4 | 49423 | + Motor Brush Spring | |
| | 38311009 | + Motor Brush Spring | |
| 5 | 49397 | +* Retainer | |
| | | Not Applicable - F4005-002 | |
| 6 | 49435 | +* Pin | |
| | | Not Applicable - F4005-002 | |
| 7 | 160356 | * Terminal | |
| | 161876 | + Terminal - F4005-002 | |
| 8 | 48969 | * Wire Nut | |
| 9 | 49379 | + Lead Wire Collar | |
| 10 | 14197 | +* Terminal | |
| | 15450 | +* Terminal - F4005-002 | |
| 11 | 23444 | Field Assem. | |
| | 45315004 | + Field Assem. - F4005-002 | |
| 12 | 21312720 | +* Washer | |
| 13 | 15865 | * Washer | |
| 14 | 49344 | +* Insulator | |
| | 31148006 | Insulator - F4005-002 | |
| 15 | 23445 | Armature | |
| | 44731012 | Armature - F4005-002 | |
| 16 | 49417AZ | +* Screw | |
| 17 | 12165 | Gear Cover Assem. | |
| 18 | 168403 | Brush Shaft & Insert - L.H. | |
| 19 | 35674 | Idler Gear - L.H. | |
| 20 | 35675BZ | Idler Gear - R.H. | |
| 21 | 168402 | Brush Shaft & Insert - R.H. | |
| 22 | 14378 | +* Screw | |
| 23 | 12910 | Cord Clamp | |
| 24 | 14367 | + Cord Insulator | |
| 25 | 49388AY | + Bail Shaft - R.H. | |
| 26 | 21312724 | Washer | |
| 27 | 21312756 | * Washer | |
| 28 | 35584 | + Shaft & Nut - L.H. | |
| 29 | 35583 | Shaft & Nut - R.H. | |
| 30 | 52374001 | Data Plate | |
| | | Not Applicable - F4005-002 | |
| 31 | 49508 | +* Screw | |
| | | Not Applicable - F4005-002 | |

| Ref. | Part Description | No. | No. |
|------|------------------|--|-----|
| 32 | 42273011 | Gear Housing Comp. | |
| | 42273005 | + Gear Housing Comp. - F4005-002 | |
| 34 | 17074AG | Hood Adapter | |
| 37 | 12891 | Handle Control Lever Spring | |
| 38 | 34207AG | Foot Pad | |
| 39 | 12574 | + Lead Wire by Foot | |
| 40 | 49429 | +* Screw | |
| 41 | 165104 | Bail Mtg. Bracket w/Switch | |
| | 43138001 | + Bail Mtg. Bracket Only | |
| | 165103 | + Bail Mtg. Bracket w/Switch - F4005-002 | |
| | 36428079 | Bail Mtg. Bracket Only - F4005-002 | |
| 42 | 21388105 | +* Nut - Special | |
| 43 | 21312761 | * Washer | |
| 44 | 14377 | +* Switch Insulator | |
| 45 | 14360 | +* Eyelet | |
| 46 | 19512AH | Switch | |
| | 163676 | + Switch - F4005-002 | |
| 47 | 12892 | * Screw - Machine | |
| 48 | 13190 | +* Lead Wire Holder | |
| 49 | 45517 | * Wire Holder | |
| 50 | 46363338 | Attach. Cord | |
| | 46563010 | Attach. Cord - F4005-002 | |
| 51 | 35380 | Service Plug Assem. | |
| | | Not Applicable - F4005-002 | |
| 52 | 14504 | + Bail Socket Insulator | |
| 53 | 38541002 | Brush Gear | |

ITEMS NOT ILLUSTRATED

| | |
|----------|--|
| 14199 | +* Nut (Switch/Bail Mtg. Bracket) - F4005-002 |
| 160548 | +* Screw (Gear Hsg./Ground Wire) - F4005-002 |
| 160929 | +* Lockwasher (Gear Hsg./Motor Cap) - F4005-002 |
| 161498 | +* Screw (Switch/Bail Mtg. Bracket) - F4005-002 |
| 165763 | +* Screw (Mtr. Cap/Ground Wire) - F4005-002 |
| 46116001 | + Lead Wire - White (Switch/Mtr. Brg.) - F4005-002 |
| 46148001 | + Ground Wire (Gear Hsg./Mtr. Cap) - F4005-002 |



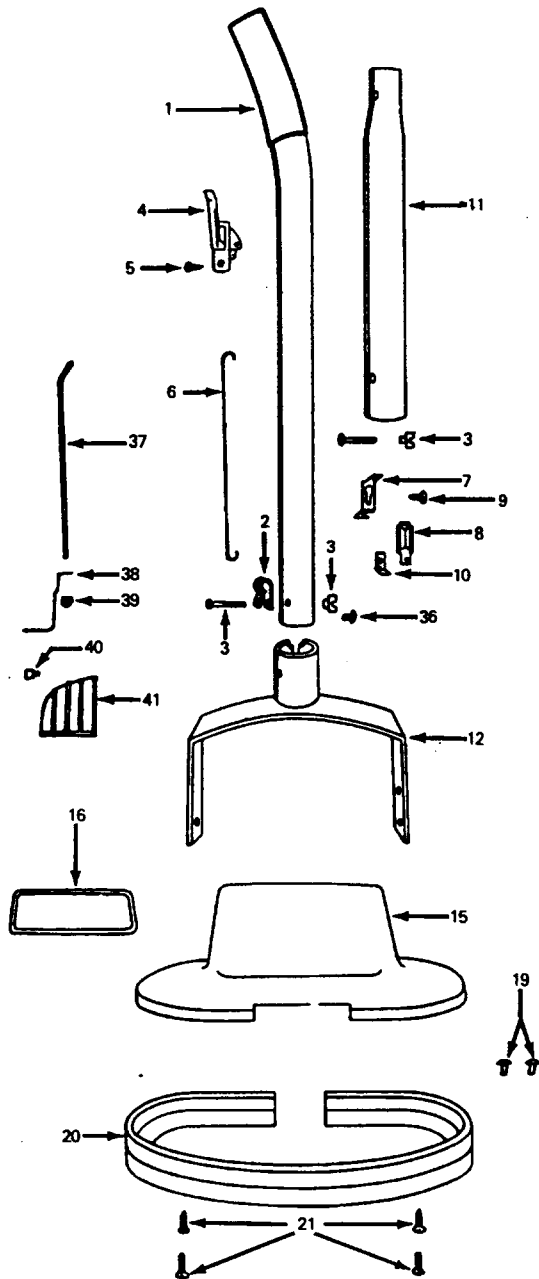
| Ref. | Part Description | No. | No. |
|------|------------------|---|-----|
| 1 | 17084JM | Tank Cap | |
| 2 | 43632028 | Tank Complete | |
| 3 | 19717 | Valve Rod | |
| 4 | 17473 | Distributor Hose | |
| 5 | 17314 | Valve Spring | |
| 6 | 14341 | Valve Rod End | |
| 7 | 15796 | Tank Cap Liner | |
| 8 | 37911006 | Valve Cap | |
| 9 | 17083JM | + Tank Support | |
| | 169421FN | + Tank Support - F4005-001 | |
| | 17083JM | + Tank Support - F4005-101, F4005-002 | |
| 10 | 12956 | * Screw | |
| 11 | 17285BG | + Wheel Carriage & Distributor | |
| | 36432002 | + Wheel Carriage & Distributor | |
| | 36432017 | + Wheel Carriage & Distributor | |
| 12 | 32175003 | Caster Wheel | |
| | 32175004 | + Caster Wheel - JJ | |
| 13 | 13306 | * Ring | |
| 14 | 35662AY | + Wheel Shaft | |
| 15 | 12979 | * Ring | |
| 16 | 18249 | +* Washer | |
| 17 | 17234DD | + Valve Body | |
| 18 | 35613 | Polishing Brush | |
| 21 | 18362 | C. & W. Pads - Pair | |
| 22 | 15116 | Rug Shampoo Brush | |
| 24 | 13131 | Plastic Fastener (Black - Prior to Nov. 1978) | |
| | 32172004 | Plastic Fastener (White - After Nov. 1978) | |

ITEMS NOT ILLUSTRATED

| | |
|----------|--|
| 18360 | High Lustre Pads |
| 37911052 | + Plug - JM - F4005-001, F4005-1 01, F4005-002 |

Handle, Hood & Bail

Models F4005, F4005-001, F4005-101, F4005-002



| | | |
|----|----------|--------------------------------------|
| 1 | 19510LL | + Handle & Cap |
| | 48648022 | Handle Comp. - Upper Half |
| | | F4005-001, F4005-101 |
| | 48641005 | + Handle - Upper Half - F4005-002 |
| | 48648029 | + Handle Comp. Upper Half F4005- 002 |
| 2 | 12910 | Cord Clamp |
| 3 | 48294AW | Handle Bolt & Nut |
| 4 | 43138005 | Control Housing |
| 5 | 17942 | Screw |
| 6 | 17331 | + Control Lever Rod |
| 7 | 162069AY | + Valve Rod Bracket |
| 8 | 17251 | + Cap Detent Bracket |
| 9 | 17942 | * Screw |
| 10 | 18559 | + Tank Stop |
| 11 | 17330JM | Handle - Lower Half |
| 12 | 41415002 | Bail Assem. |
| 15 | 166699FN | + Hood Comp. - F4005-001 |
| | 42271060 | Hood - JX |
| 16 | 17293DN | + Nameplate |
| 19 | 49571AY | + Rivet - F4005-002 |
| 20 | 17292JM | + Furniture Guard |
| 21 | 12738 | +* Screw |
| 36 | 17252 | +* Rivet |
| 37 | 162068 | Control Rod - Threaded End |
| 38 | 162069AY | + Valve Control Bracket |
| 39 | 162067 | + Nut |
| 40 | 12763AW | * Rivet |
| 41 | 161450JM | + Tank Cap Lock |

ITEMS NOT ILLUSTRATED

| | |
|---------|--------------|
| 16125AY | + Capsert |
| 19461 | + Handle Cap |