

Motor & Housing

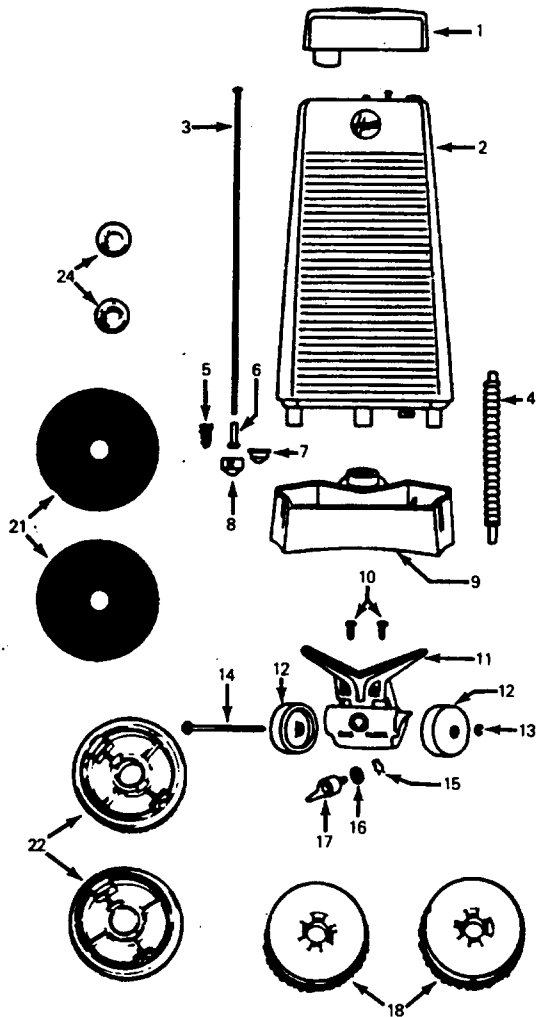
Models F4005, F4005-001, F4005-101, F4005-002

Ref.	Part Description	No.	No.
1	17001FW	* Screw	
2	42197002	Motor Cap Assem.	
	42197003	+ Motor Cap Assem. - F4005-002	
3	49351	+ Motor Brush	
	47311005	Motor Brush - F4005-002	
4	49423	+ Motor Brush Spring	
	38311009	+ Motor Brush Spring	
5	49397	+* Retainer	
		Not Applicable - F4005-002	
6	49435	+* Pin	
		Not Applicable - F4005-002	
7	160356	* Terminal	
	161876	+ Terminal - F4005-002	
8	48969	* Wire Nut	
9	49379	+ Lead Wire Collar	
10	14197	+* Terminal	
	15450	+* Terminal - F4005-002	
11	23444	Field Assem.	
	45315004	+ Field Assem. - F4005-002	
12	21312720	+* Washer	
13	15865	* Washer	
14	49344	+* Insulator	
	31148006	Insulator - F4005-002	
15	23445	Armature	
	44731012	Armature - F4005-002	
16	49417AZ	+* Screw	
17	12165	Gear Cover Assem.	
18	168403	Brush Shaft & Insert - L.H.	
19	35674	Idler Gear - L.H.	
20	35675BZ	Idler Gear - R.H.	
21	168402	Brush Shaft & Insert - R.H.	
22	14378	+* Screw	
23	12910	Cord Clamp	
24	14367	+ Cord Insulator	
25	49388AY	+ Bail Shaft - R.H.	
26	21312724	Washer	
27	21312756	* Washer	
28	35584	+ Shaft & Nut - L.H.	
29	35583	Shaft & Nut - R.H.	
30	52374001	Data Plate	
		Not Applicable - F4005-002	
31	49508	+* Screw	
		Not Applicable - F4005-002	

Ref.	Part Description	No.	No.
32	42273011	Gear Housing Comp.	
	42273005	+ Gear Housing Comp. - F4005-002	
34	17074AG	Hood Adapter	
37	12891	Handle Control Lever Spring	
38	34207AG	Foot Pad	
39	12574	+ Lead Wire by Foot	
40	49429	+* Screw	
41	165104	Bail Mtg. Bracket w/Switch	
	43138001	+ Bail Mtg. Bracket Only	
	165103	+ Bail Mtg. Bracket w/Switch - F4005-002	
	36428079	Bail Mtg. Bracket Only - F4005-002	
42	21388105	+* Nut - Special	
43	21312761	* Washer	
44	14377	+* Switch Insulator	
45	14360	+* Eyelet	
46	19512AH	Switch	
	163676	+ Switch - F4005-002	
47	12892	* Screw - Machine	
48	13190	+* Lead Wire Holder	
49	45517	* Wire Holder	
50	46363338	Attach. Cord	
	46563010	Attach. Cord - F4005-002	
51	35380	Service Plug Assem.	
		Not Applicable - F4005-002	
52	14504	+ Bail Socket Insulator	
53	38541002	Brush Gear	

ITEMS NOT ILLUSTRATED

14199	+* Nut (Switch/Bail Mtg. Bracket) - F4005-002
160548	+* Screw (Gear Hsg./Ground Wire) - F4005-002
160929	+* Lockwasher (Gear Hsg./Motor Cap) - F4005-002
161498	+* Screw (Switch/Bail Mtg. Bracket) - F4005-002
165763	+* Screw (Mtr. Cap/Ground Wire) - F4005-002
46116001	+ Lead Wire - White (Switch/Mtr. Brg.) - F4005-002
46148001	+ Ground Wire (Gear Hsg./Mtr. Cap) - F4005-002



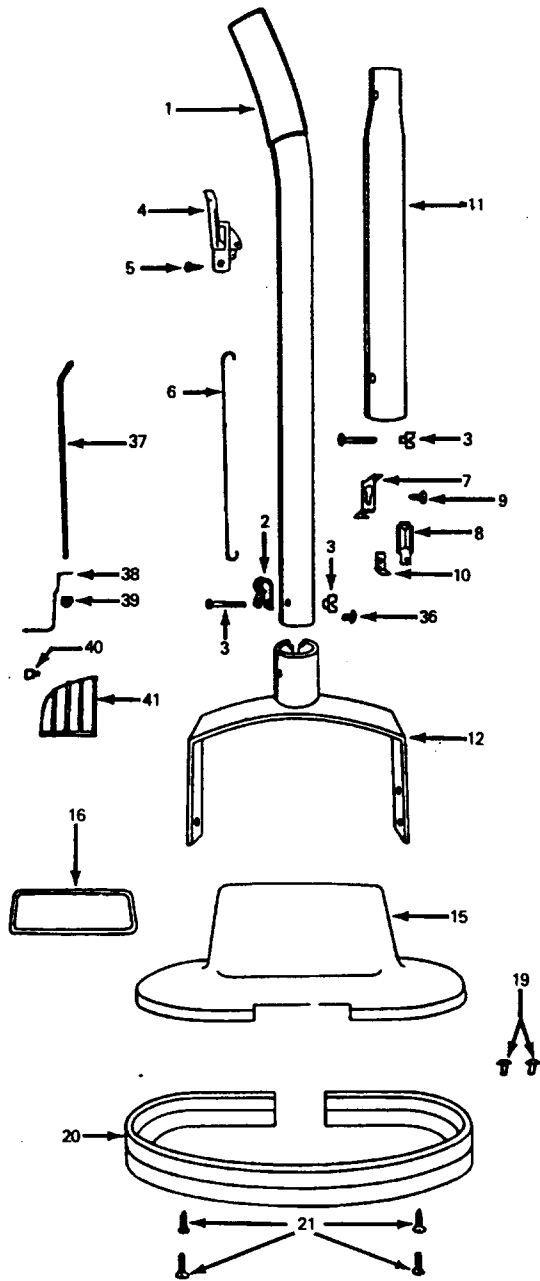
Ref.	Part Description	No.	No.
1	17084JM	Tank Cap	
2	43632028	Tank Complete	
3	19717	Valve Rod	
4	17473	Distributor Hose	
5	17314	Valve Spring	
6	14341	Valve Rod End	
7	15796	Tank Cap Liner	
8	37911006	Valve Cap	
9	17083JM	+ Tank Support	
	169421FN	+ Tank Support - F4005-001	
	17083JM	+ Tank Support - F4005-101, F4005-002	
10	12956	* Screw	
11	17285BG	+ Wheel Carriage & Distributor	
	36432002	+ Wheel Carriage & Distributor	
	36432017	+ Wheel Carriage & Distributor	
12	32175003	Caster Wheel	
	32175004	+ Caster Wheel - JJ	
13	13306	* Ring	
14	35662AY	+ Wheel Shaft	
15	12979	* Ring	
16	18249	+* Washer	
17	17234DD	+ Valve Body	
18	35613	Polishing Brush	
21	18362	C. & W. Pads - Pair	
22	15116	Rug Shampoo Brush	
24	13131	Plastic Fastener (Black - Prior to Nov. 1978)	
	32172004	Plastic Fastener (White - After Nov. 1978)	

ITEMS NOT ILLUSTRATED

18360	High Lustre Pads
37911052	+ Plug - JM - F4005-001, F4005-1 01, F4005-002

Handle, Hood & Bail

Models F4005, F4005-001, F4005-101, F4005-002



1	19510LL	+ Handle & Cap
	48648022	Handle Comp. - Upper Half
		F4005-001, F4005-101
	48641005	+ Handle - Upper Half - F4005-002
	48648029	+ Handle Comp. Upper Half F4005- 002
2	12910	Cord Clamp
3	48294AW	Handle Bolt & Nut
4	43138005	Control Housing
5	17942	Screw
6	17331	+ Control Lever Rod
7	162069AY	+ Valve Rod Bracket
8	17251	+ Cap Detent Bracket
9	17942	* Screw
10	18559	+ Tank Stop
11	17330JM	Handle - Lower Half
12	41415002	Bail Assem.
15	166699FN	+ Hood Comp. - F4005-001
	42271060	Hood - JX
16	17293DN	+ Nameplate
19	49571AY	+ Rivet - F4005-002
20	17292JM	+ Furniture Guard
21	12738	+* Screw
36	17252	+* Rivet
37	162068	Control Rod - Threaded End
38	162069AY	+ Valve Control Bracket
39	162067	+ Nut
40	12763AW	* Rivet
41	161450JM	+ Tank Cap Lock

ITEMS NOT ILLUSTRATED

16125AY	+ Capsert
19461	+ Handle Cap