

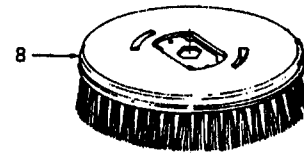
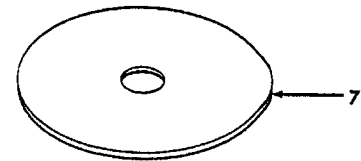
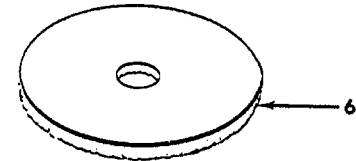
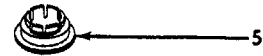
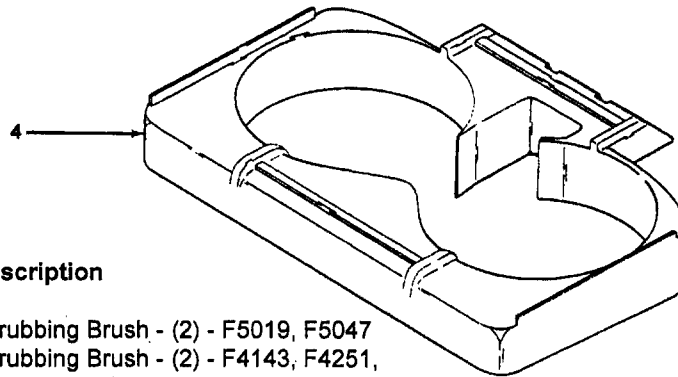
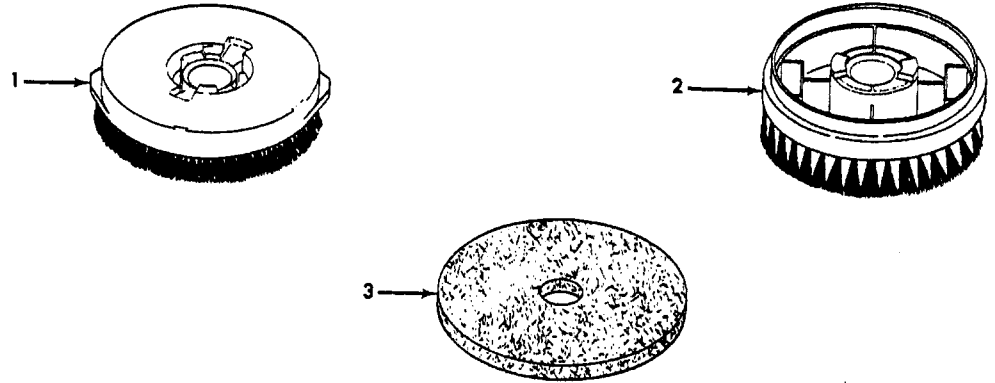
Gear & Motor Housings

Models F4143, F4251, F4323

Ref.	Part Description	No.	No.
1	12165 Gear Cover Assem.		
	49417AZ +* Screw (4)		
3	168405 Brush Shaft & Insert - R.H.		
4	38541002 Brush Gear (2)		
5	14378 +* Sems Unit		
6	12910 Cord Clamp		
7	49388AY + Bail Shaft - R.H.		
8	14367 Cord Insulator		
9	35675BZ Idler Gear - R.H.		
10	21312724 * Washer		
11	42273011 Gear Housing Comp.		
12	17292JM + Furniture Guard		
13	17074AG + Hood Adapter		
14	21312757 * Washer (2)		
15	17309 Brush Carrier - R.H.		
16	12738 +* Screw (Hood - 4) - Use on Hoods w/Capserts		
	21447020 Screw (Hood - 4) - Use on Hoods w/o Capserts		
17	160014 * Lock Ring (2)		
18	38521025 Caster Wheel (2)		
	38521026 Caster Wheel - AG (2) - F4251		
19	35662AY + Wheel Shaft		
20	36432017 + Wheel Carriage & Distributor (Incl. Item 22)		
	36432015 + Wheel Carriage & Distributor - F4323		
21	12956 * Screw (2)		
22	37911052 + Plug		
23	17308 Brush Carrier - L. H.		
24	49571AY +* Rivet (2)		
25	14377 +* Switch Insulator		
26	14360 +* Eyelet		
27	21388105 +* Nut - Special		
28	21312761 * Washer		
29	35674 Idler Gear - L.H.		
30	12892 * Screw - Machine		
31	19512AH Switch		
32	12891 Handle Control Lever Spring		
33	168404 + Brush Shaft & Insert - L.H.		
34	49429 +* Screw		
35	34207AG Foot Pad		
36	165104 Bail Mounting Bracket w/Switch (Incl. Items 25,26,27,28,30,31,32)		
37	16125AY + Capsert (4)		
38	13190 +* Lead Wire Holder		
39	38311009 + Motor Brush Spring (2)		
40	47311005 Motor Brush (2)		
41	14197 +* Terminal		
42	23444 Field		
43	12653 + Baffle		
44	21312720 * Washer (3)		
45	15865 * Washer		
46	49344 +* Insulator		
47	23445 Armature		
48	49379 + Lead Wire Collar		
49	48969 * Wire Nut		
50	45517 * Wire Holder		
51	17001FW * Screw		
52	12574 + Lead Wire - By Foot		
53	161876 +* Terminal		
54	42197002 Motor Cap Assem.		
55	42271060 Hood		
	42271072 + Hood - JP - U4323		
	42271058 Hood- KH -F4251		

Brushes & Pads

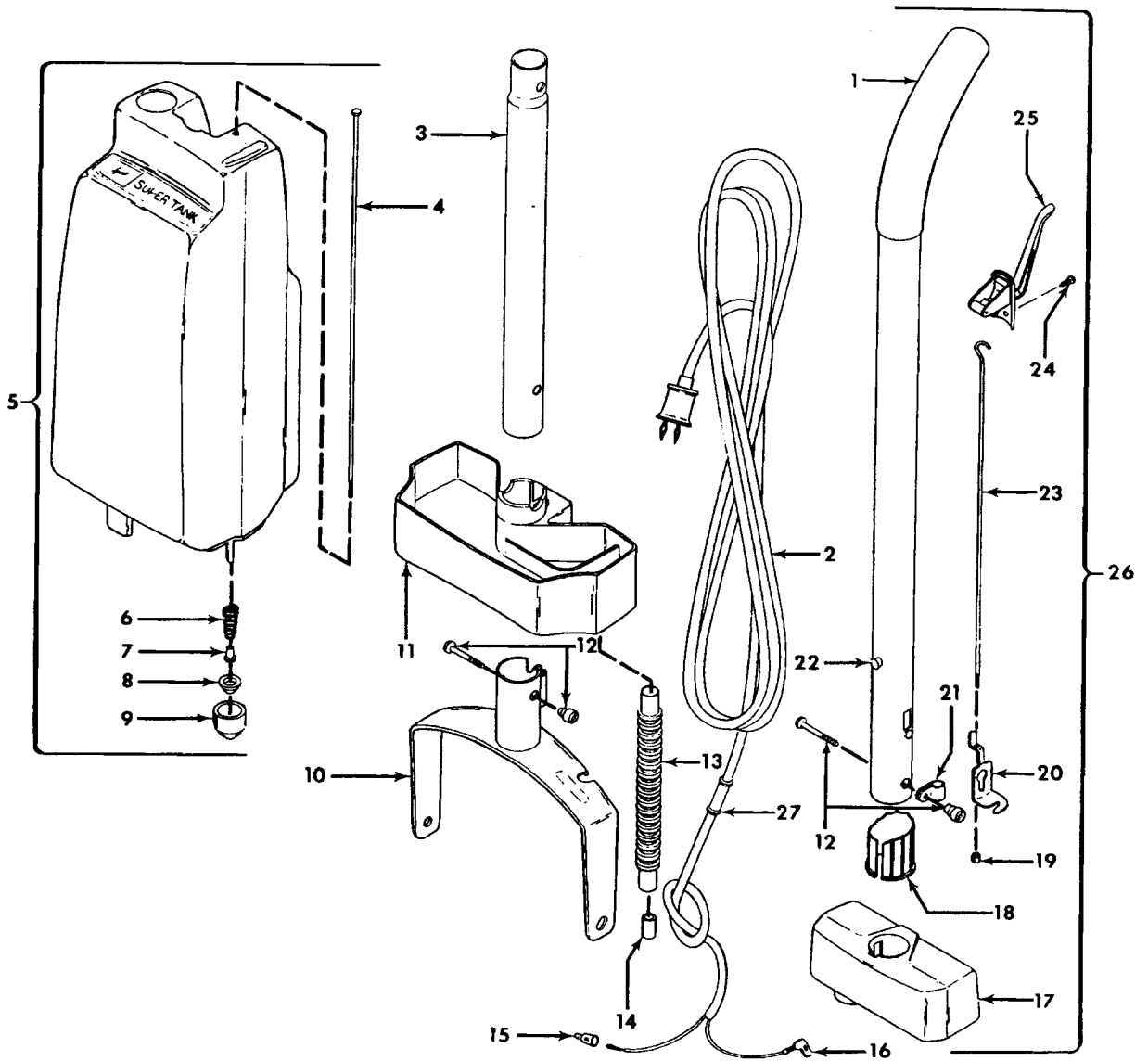
Models F3119, F4143, F4251, F4251-060, F4255, F4255-040, F4300, F4323, F5019, F5047, F5300, F5300-060



Ref. No.	Part No.	Description
1	48436008 48436045	Scrubbing Brush - (2) - F5019, F5047 Scrubbing Brush - (2) - F4143, F4251, F4251-060, F4255, F4323
2	48436047 15636	Scrubbing Brush - (2) - F5300, F5300-060 Rug Shampoo Brush - (2) - F5019, F5047, F5300, F5300-060
	48437005	Rug Shampoo Brush - (2) - F3119, F4143, F4251, F4251-060, F4255, F4300, F4323
3	18362	Cleaning-Waxing Pads - Pair - F4143, F4251, F4251-060, F4255, F4300, F4323, F5019, F5047, F5300, F5300-060
	13195	Cleaning-Waxing Pads - Pair - F4255-040
4	16543JX 37275005 37275018	+ Rug Shampoo Attach. Rug Shampoo Attach. - AAM - F5019, F5047 Rug Shampoo Attach. - AG - F5300, F5300-060
5	15844	Pad Fastener - (2) - F4143, F4251, F4251-060, F4255, F4300, F4323, F5019, F5047, F5300, F5300-060
6	32172004 18360	Pad Fastener - (2) - F4255-040 High Lustre Pads - Pair - F4255, F5019, F5047, F5300, F5300-060 (2pr.)
7	13197 18361	High Lustre Pads - Pair - F4255-040 Felt Buffing Pads - Pair - F4143, F4251, F4251-060, F4300, F5019, F5047, F5300, F5300-060 (2pr.)
	48432014	Felt Buffing Pads - Pair - F4255-040
	48483003	Soft Cloth Pads - F4300, F5300, F5300-060 (2pr.)
8	35613 48436045	Polishing Brush - F4255-040 Scrubbing Brush - F4300

ITEMS NOT ILLUSTRATED

40301200	Rug and Carpet Shampoo - 32 Oz. (Optional) - F5300, F5300-060
57333001	Rug and Carpet Shampoo - 16 Oz. - F4300, F5300, F5300-060
40303032	Bare Floor Solution - 32 Oz. - F4300, F5300, F5300-060



Handle & Tank

Models F4143, F4251, F4251-060, F4255, F4255-040, F4300, F4323

Ref.	Part Description	No.	No.
1	12230JM + Handle Grip - JM		
	39454072 Handle Grip - AG - F4300		
2	46383068 Attachment Cord		
3	17330JM Handle - Lower Half		
	32284026 Handle - Lower Half - AX - F4300		
4	19717 Valve Rod		
5	43632023 Tank Comp. - BZ - F4251, F4251-060 (Incl. It. 4,6,7,8,9)		
	43632028 Tank Comp. - ACN - (Incl. It 4,6,7,8,9)		
6	17314 Valve Spring		
7	14341 Valve Rod End		
8	15796 Tank Cap Liner		
9	37911006 Valve Cap		
10	165102JM + Bail Assem.		
	41415002 Bail Assem. - F4255, F4255-040, F4300		
11	17083JM + Tank Support		
	36431020 Tank Supp. -AAM- F4255, F4255-040		
	36431024 Tank Support - AG - F4300		
12	48294AW Handle Bolt & Nut (2)		
13	17473 Distributor Hose		
14	162180 Plug		
15	48969 * Wire Nut		
16	161876 + Terminal Flag		
17	17084JM Tank Cap		
	37274054 + Tank Cap - AAP - F4255, F4255-040		
	37274056 Tank Cap - AG - F4300		
18	161450JM + Tank Cap Lock		
	161450DC + Tank Cap Lock - F4251, F4251-060, F4255, F4255-040		
	36143005 Tank Cap Lock - AG - F4300		
19	162067 + Nut		
20	162069AY + Valve Rod Bracket		

Ref.	Part Description	No.	No.
21	12910 Cord Clamp		
22	17252 +* Rivet		
23	162068 Valve Control Rod		
24	17942 * Screw		
25	43138005 Control Housing		
26	48648022 Handle Comp. - AAP - Upper Half - (Incl. It 12 & 17 thru 25)		
27	14504 + Bail Socket Insulator		
	164330 + Carton - Common		
	58142116 Carton - F4255		
	53142106 + Carton - F4251-060		
	58142120 + Carton - F4255-040		
	58142039 + Carton - F4143		
	58142131 Carton - F4300		
	58343007 + End Support - -Common		
	58347001 Bottom Support - Common		
	58385007 + Carton Support - Common		
	56518060 + Owner Manual		
	56518105 Owner Manual - F4300		

ACCESSORIES - PAGE 54
GEAR & MOTOR HOUSING - F4251-060, F4255, F4255-060, F4300 - P. 57
F4143, F4251, F4323 - P. 44