

Gear & Motor Housing

Models F4251-060, F4255, F4255-040, F4300

Ref.	Part Description	No.	No.	Ref.	Part Description	No.	No.
1	42271073	Hood Comp. - AAM		26	43486003	Distributor Assem. - AG	
	42271058	Hood Comp. - KH - F4251-060		27	36231132	Furniture Guard - AAP	
	42271029	Hood w/ nameplate - AG - F4300			36231131	+ Furniture Guard - JM	
2	46383068	Attach. Cord - AAP			36231152	Furniture Guard - ACN - F4300	
	46363338	Attach. Cord - AG - F4300		28	21447020	* Screw - Self Tapping (4)	
3	12227	Insulated Terminal		29	21312757	* Washer - GA (2)	
4	13190	+* Lead Wire Holder			21312756	* Washer - GA (2) - F4255-040	
5	49379	+ Lead Wire Collar (2)		30	17309	Brush Carrier - RH	
6	47311005	Motor Brush (2) (Inc. item 7)			35583	Shaft Nut - RH - F4255-040	
7	38311009	+ Motor Brush Spring (2)		31	17308	Brush Carrier - LH	
8	42197002	Motor Cap Assem.			35584	+ Shaft Nut - LH - F4255-040	
9	23444	Field Assem. Comp.		32	21447003	* Screw - Self Tapping (2)	
	45314011	Field Assem. Comp - F4300		33	12891	Handle Control Lever Spring	
10	12653	+ Baffle		34	165104	Bail Mounting Bracket w/Switch (Incl. Items 33,35,36,37,38,39,40)	
11	21312720	* Washer (5)		35	21388105	+* Nut - Special	
12	31148006	Spacer		36	21312761	* Washer	
13	23445	Armature		37	12892	* Screw - Machine	
14	21447007	* Screw - Self Tapping (5)		38	19512AH	Switch Assem.	
15	12165	Gear Cover Assem.		39	14360	+* Eyelet	
16	168405	Brush Shaft & Insert Assem.		40	14377	+* Switch Insulator	
	168402	Brush Shaft & Insert Assem. - F4255-040		41	34207AG	Handle Control Lever Foot Pad	
17	38541002	Brush Gear (2)		42	168404	+ Brush Shaft & Insert Assem.	
18	35675BZ	Idler Gear - RH			168403	Brush Shaft & Insert Assem. - F4255-040	
19	21312724	* Washer (2)		43	35674	Idler Gear - LH	
20	36131030	+ Retainer - BZ		44	45517	Lead Wire Holder	
21	42273011	Gear Housing Comp. - AG (Incl. Items 22,23,26,32)		45	46116001	Lead Wire - White	
22	31523008	Wheel Shaft - AY (2)		46	17001FW	Screw - Self Tapping (4)	
23	32175025	Wheel - AG (2)					
24	49571AY	+* Rivet - Tubular (2)					
25	21312788	+ Washer (2)					

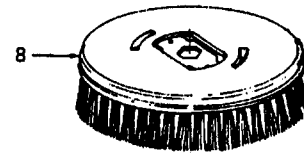
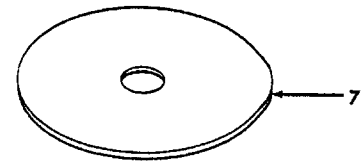
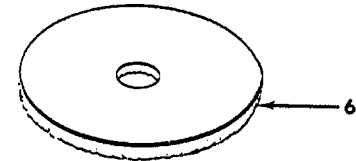
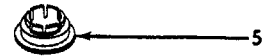
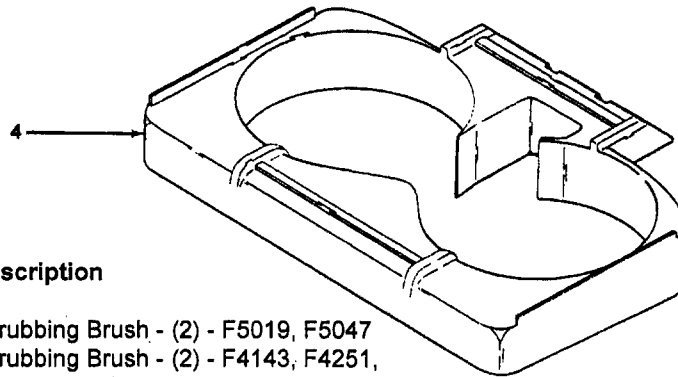
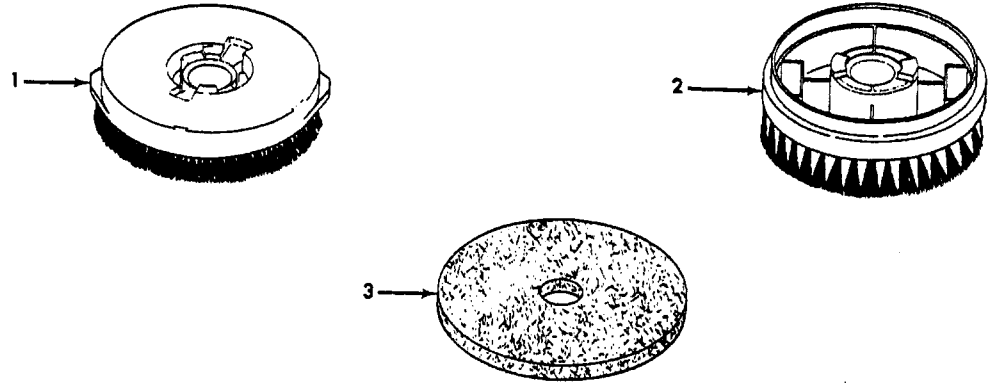
ITEMS NOT ILLUSTRATED

52313009 Hood Nameplate - F4300

ACCESSORIES - P. 54
HANDLE & TANK - P. 46

Brushes & Pads

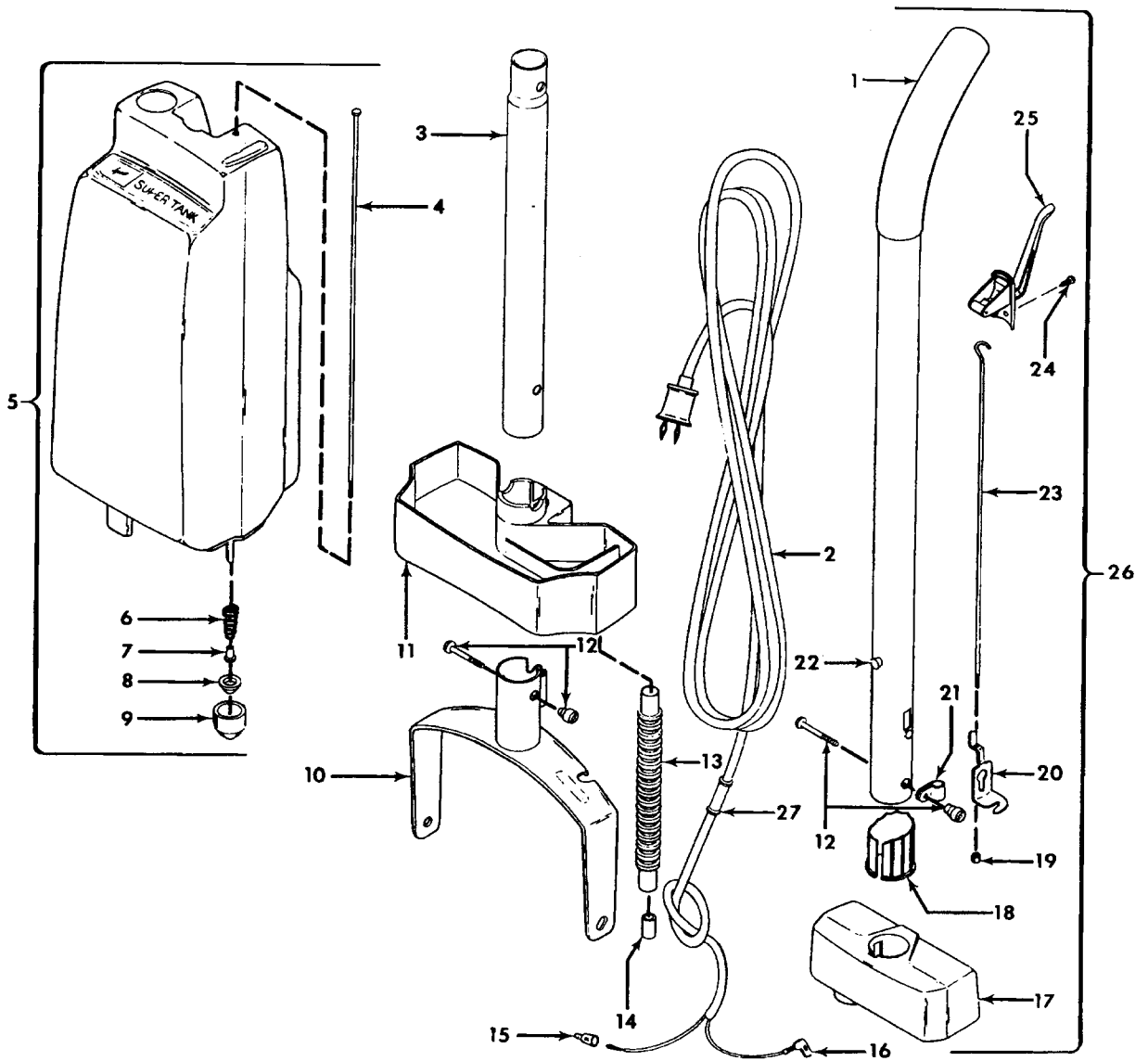
Models F3119, F4143, F4251, F4251-060, F4255, F4255-040, F4300, F4323, F5019, F5047, F5300, F5300-060



Ref. No.	Part No.	Description
1	48436008 48436045	Scrubbing Brush - (2) - F5019, F5047 Scrubbing Brush - (2) - F4143, F4251, F4251-060, F4255, F4323
2	48436047 15636	Scrubbing Brush - (2) - F5300, F5300-060 Rug Shampoo Brush - (2) - F5019, F5047, F5300, F5300-060
	48437005	Rug Shampoo Brush - (2) - F3119, F4143, F4251, F4251-060, F4255, F4300, F4323
3	18362	Cleaning-Waxing Pads - Pair - F4143, F4251, F4251-060, F4255, F4300, F4323, F5019, F5047, F5300, F5300-060
	13195	Cleaning-Waxing Pads - Pair - F4255-040
4	16543JX 37275005 37275018	+ Rug Shampoo Attach. Rug Shampoo Attach. - AAM - F5019, F5047 Rug Shampoo Attach. - AG - F5300, F5300-060
5	15844	Pad Fastener - (2) - F4143, F4251, F4251-060, F4255, F4300, F4323, F5019, F5047, F5300, F5300-060
6	32172004 18360	Pad Fastener - (2) - F4255-040 High Lustre Pads - Pair - F4255, F5019, F5047, F5300, F5300-060 (2pr.)
7	13197 18361	High Lustre Pads - Pair - F4255-040 Felt Buffing Pads - Pair - F4143, F4251, F4251-060, F4300, F5019, F5047, F5300, F5300-060 (2pr.)
	48432014	Felt Buffing Pads - Pair - F4255-040
	48483003	Soft Cloth Pads - F4300, F5300, F5300-060 (2pr.)
8	35613 48436045	Polishing Brush - F4255-040 Scrubbing Brush - F4300

ITEMS NOT ILLUSTRATED

40301200	Rug and Carpet Shampoo - 32 Oz. (Optional) - F5300, F5300-060
57333001	Rug and Carpet Shampoo - 16 Oz. - F4300, F5300, F5300-060
40303032	Bare Floor Solution - 32 Oz. - F4300, F5300, F5300-060



Handle & Tank

Models F4143, F4251, F4251-060, F4255, F4255-040, F4300, F4323

Ref.	Part Description	No.	No.
1	12230JM + Handle Grip - JM		
	39454072 Handle Grip - AG - F4300		
2	46383068 Attachment Cord		
3	17330JM Handle - Lower Half		
	32284026 Handle - Lower Half - AX - F4300		
4	19717 Valve Rod		
5	43632023 Tank Comp. - BZ - F4251, F4251-060 (Incl. It. 4,6,7,8,9)		
	43632028 Tank Comp. - ACN - (Incl. It 4,6,7,8,9)		
6	17314 Valve Spring		
7	14341 Valve Rod End		
8	15796 Tank Cap Liner		
9	37911006 Valve Cap		
10	165102JM + Bail Assem.		
	41415002 Bail Assem. - F4255, F4255-040, F4300		
11	17083JM + Tank Support		
	36431020 Tank Supp. -AAM- F4255, F4255-040		
	36431024 Tank Support - AG - F4300		
12	48294AW Handle Bolt & Nut (2)		
13	17473 Distributor Hose		
14	162180 Plug		
15	48969 * Wire Nut		
16	161876 + Terminal Flag		
17	17084JM Tank Cap		
	37274054 + Tank Cap - AAP - F4255, F4255-040		
	37274056 Tank Cap - AG - F4300		
18	161450JM + Tank Cap Lock		
	161450DC + Tank Cap Lock - F4251, F4251-060, F4255, F4255-040		
	36143005 Tank Cap Lock - AG - F4300		
19	162067 + Nut		
20	162069AY + Valve Rod Bracket		

Ref.	Part Description	No.	No.
21	12910 Cord Clamp		
22	17252 +* Rivet		
23	162068 Valve Control Rod		
24	17942 * Screw		
25	43138005 Control Housing		
26	48648022 Handle Comp. - AAP - Upper Half - (Incl. It 12 & 17 thru 25)		
27	14504 + Bail Socket Insulator		
	164330 + Carton - Common		
	58142116 Carton - F4255		
	53142106 + Carton - F4251-060		
	58142120 + Carton - F4255-040		
	58142039 + Carton - F4143		
	58142131 Carton - F4300		
	58343007 + End Support - -Common		
	58347001 Bottom Support - Common		
	58385007 + Carton Support - Common		
	56518060 + Owner Manual		
	56518105 Owner Manual - F4300		

ACCESSORIES - PAGE 54
GEAR & MOTOR HOUSING - F4251-060, F4255, F4255-060, F4300 - P. 57
F4143, F4251, F4323 - P. 44