

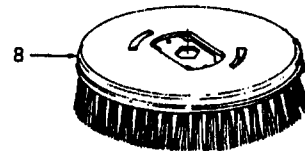
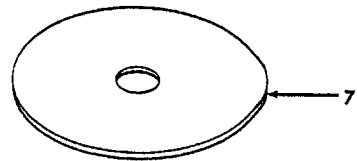
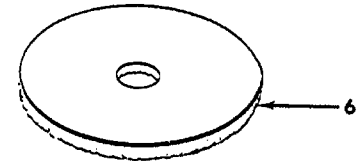
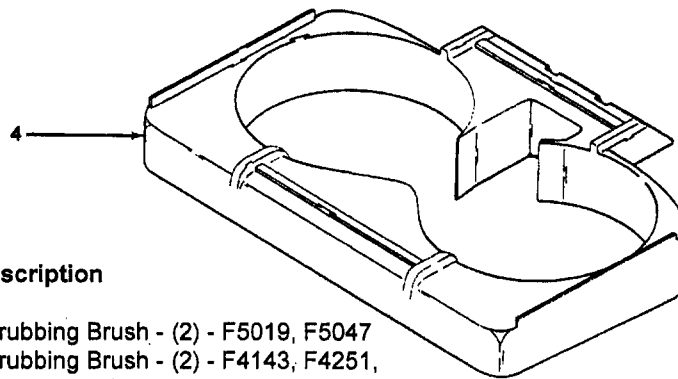
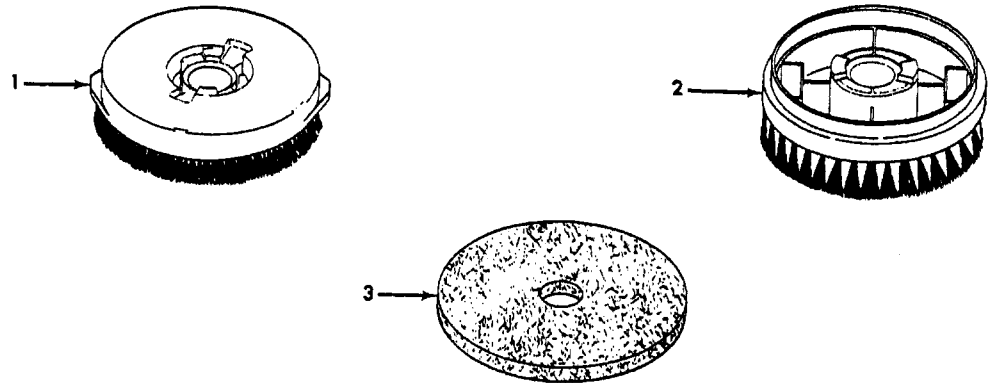
Gear & Motor Housings

Models F3119

Ref.	Part	No.	No.	Ref.	Part	No.	No.
Description				Description			
1	12165			29	35674		
	49417AZ	+*	Gear Cover Assem.	30	12892	*	Idler Gear - L. H,
3	168405		Screw (4)	31	19512AH		Screw - Machine
4	38541002		Brush Shaft & Insert - R.H.	32	12891		Switch
5	14378	+*	Brush Gear (2)	33	168404	+	Handle Control Lever Spring
6	12910		Sems Unit	34	49429	+*	Brush Shaft & Insert - L.H.
7	49388AY	+	Cord Clamp	35	34207AG		Screw
8	14367	+	Bail Shaft - R.H.	36	165104		Foot Pad
9	35675BZ		Cord Insulator				Bail Mounting Bracket w/Switch
10	21312724	*	Idler Gear - R.H,				(Incl. Items 25,26,27,28,30,31,32,34,
11	42273011		Washer	37	16125AY	+	35,36)
12	17292JM	+	Gear Housing Comp.	38	13190	+*	Capsert (4)
13	17074AG	+	Furniture Guard	39	38311009	+	Lead Wire Holder
14	21312757	*	Hood Adapter	40	47311005	+	Motor Brush Spring (2)
15	17309		Washer (2)	41	14197	+*	Motor Brush (2)
16	12738	+*	Brush Carrier - R.H.	42	23444		Terminal
17	160014	*	Screw (Hood - 4)	43	12653	+	Field
18	38521025		Lock Ring (2)	44	21312720	*	Baffle
19	35662AY	+	Caster Wheel (2)	45	15865	*	Washer (3)
20	36432017	+	Wheel Shaft	46	49344	+*	Washer
			Wheel Carriage & Distributor	47	23445		Insulator
			(Incl. Item 22)	48	49379	+	Armature
21	12956	*	Screw (2)	49	48969	+	Lead Wire Collar
22	37911052	+	Plug	50	45517	*	Wire Nut
23	17308		Brush Carrier - L.H.	51	17001FW	*	Wire Holder
24	49571AY	+	Rivet (2)	52	12574	+	Screw
25	14377	+*	Switch Insulator	53	161876	+*	Lead Wire - By Foot
26	14360	+*	Eyelet	54	42197002		Terminal
27	21388105	+*	Nut - Special	55	42271055	+	Motor Cap Assem.
28	21312761	*	Washer				+ Hood - JX

Brushes & Pads

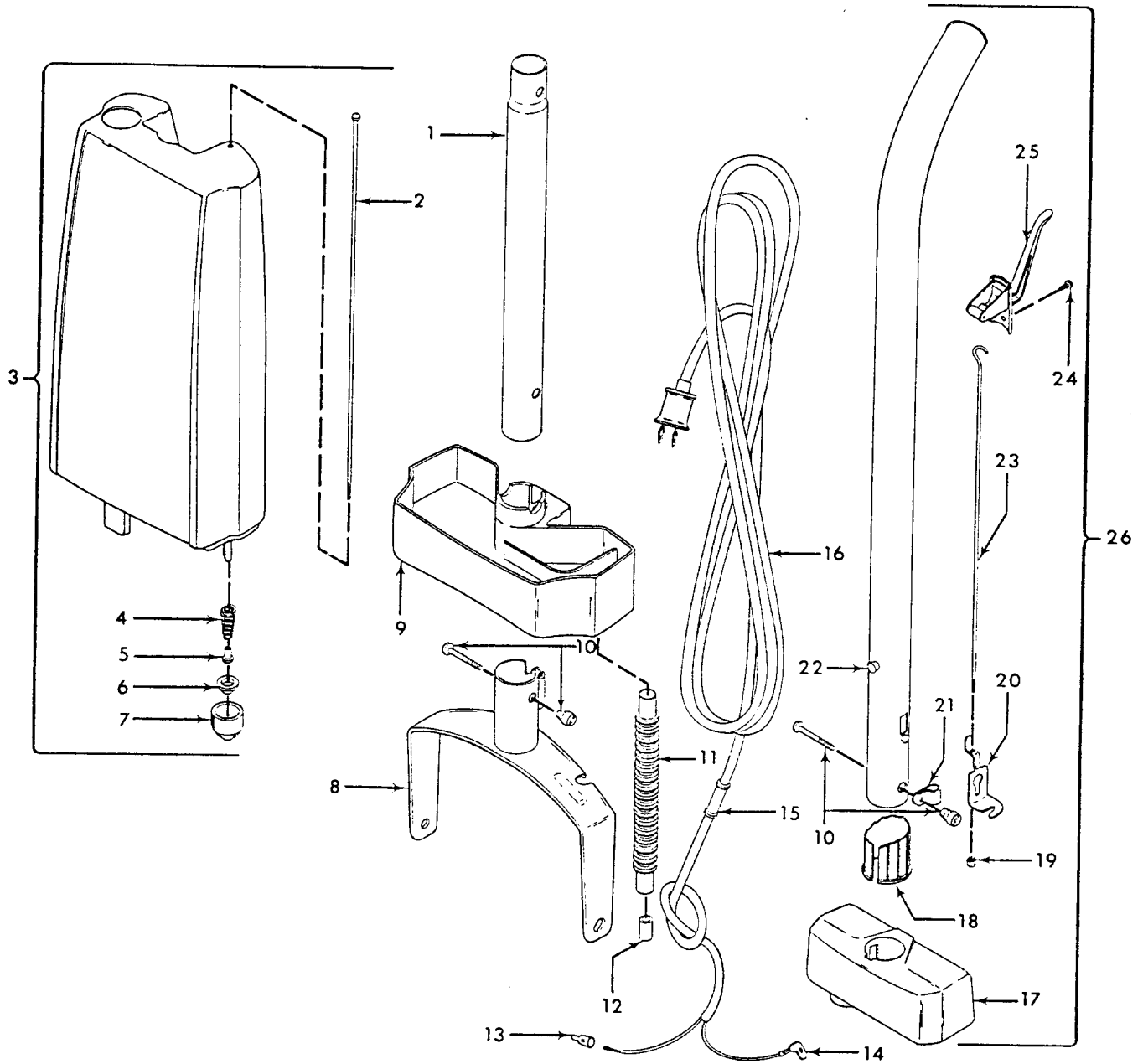
Models F3119, F4143, F4251, F4251-060, F4255, F4255-040, F4300, F4323, F5019, F5047, F5300, F5300-060



Ref. No.	Part No.	Description
1	48436008 48436045	Scrubbing Brush - (2) - F5019, F5047 Scrubbing Brush - (2) - F4143, F4251, F4251-060, F4255, F4323
2	48436047 15636	Scrubbing Brush - (2) - F5300, F5300-060 Rug Shampoo Brush - (2) - F5019, F5047, F5300, F5300-060
	48437005	Rug Shampoo Brush - (2) - F3119, F4143, F4251, F4251-060, F4255, F4300, F4323
3	18362	Cleaning-Waxing Pads - Pair - F4143, F4251, F4251-060, F4255, F4300, F4323, F5019, F5047, F5300, F5300-060
	13195	Cleaning-Waxing Pads - Pair - F4255-040
4	16543JX 37275005 37275018	+ Rug Shampoo Attach. Rug Shampoo Attach. - AAM - F5019, F5047 Rug Shampoo Attach. - AG - F5300, F5300-060
5	15844	Pad Fastener - (2) - F4143, F4251, F4251-060, F4255, F4300, F4323, F5019, F5047, F5300, F5300-060
6	32172004 18360	Pad Fastener - (2) - F4255-040 High Lustre Pads - Pair - F4255, F5019, F5047, F5300, F5300-060 (2pr.)
7	13197 18361	High Lustre Pads - Pair - F4255-040 Felt Buffing Pads - Pair - F4143, F4251, F4251-060, F4300, F5019, F5047, F5300, F5300-060 (2pr.)
	48432014	Felt Buffing Pads - Pair - F4255-040
	48483003	Soft Cloth Pads - F4300, F5300, F5300-060 (2pr.)
8	35613 48436045	Polishing Brush - F4255-040 Scrubbing Brush - F4300

ITEMS NOT ILLUSTRATED

40301200	Rug and Carpet Shampoo - 32 Oz. (Optional) - F5300, F5300-060
57333001	Rug and Carpet Shampoo - 16 Oz. - F4300, F5300, F5300-060
40303032	Bare Floor Solution - 32 Oz. - F4300, F5300, F5300-060



Handle & Tank

Models F3119

Ref.	Part	No.	No.
Description			
1	17330JM	Handle - Lower Half	
2	19717	Valve Rod	
3	43632028	Tank Complete	
4	17314	Valve Spring	
5	14341	Valve Rod End	
6	15796	Tank Cap Liner	
7	37911006	Valve Cap	
8	41415002	Bail Assem.	
9	17083JM	+ Tank Support - JX	
10	48294AW	Handle Bolt & Nut (2)	
11	17473	Distributor Hose	
12	162180	Plug	
13	48969	* Wire Nut	
14	161876	+ Terminal Flag	
15	14504	+ Bail Socket Insulator	
16	46383068	Attach. Cord	
17	17084JM	Tank Cap	

Ref.	Part	No.	No.
Description			
18	161450JM	+ Tank Cap Lock	
19	162067	+ Nut	
20	162069AY	+ Valve Rod Bracket	
21	12910	Cord Clamp	
22	17252	+* Rivet	
23	162068	Control Rod	
24	17942	* Screw	
25	43138005	Control Housing	
26	48648022	Handle Comp. Upper Half	
	164330	+ Carton - Common	
	58343007	+ End Support - Common	
	58347001	Bottom Support - Common	
	58385007	+ Carton Support - Common	
	56518022	+ Owner Manual	