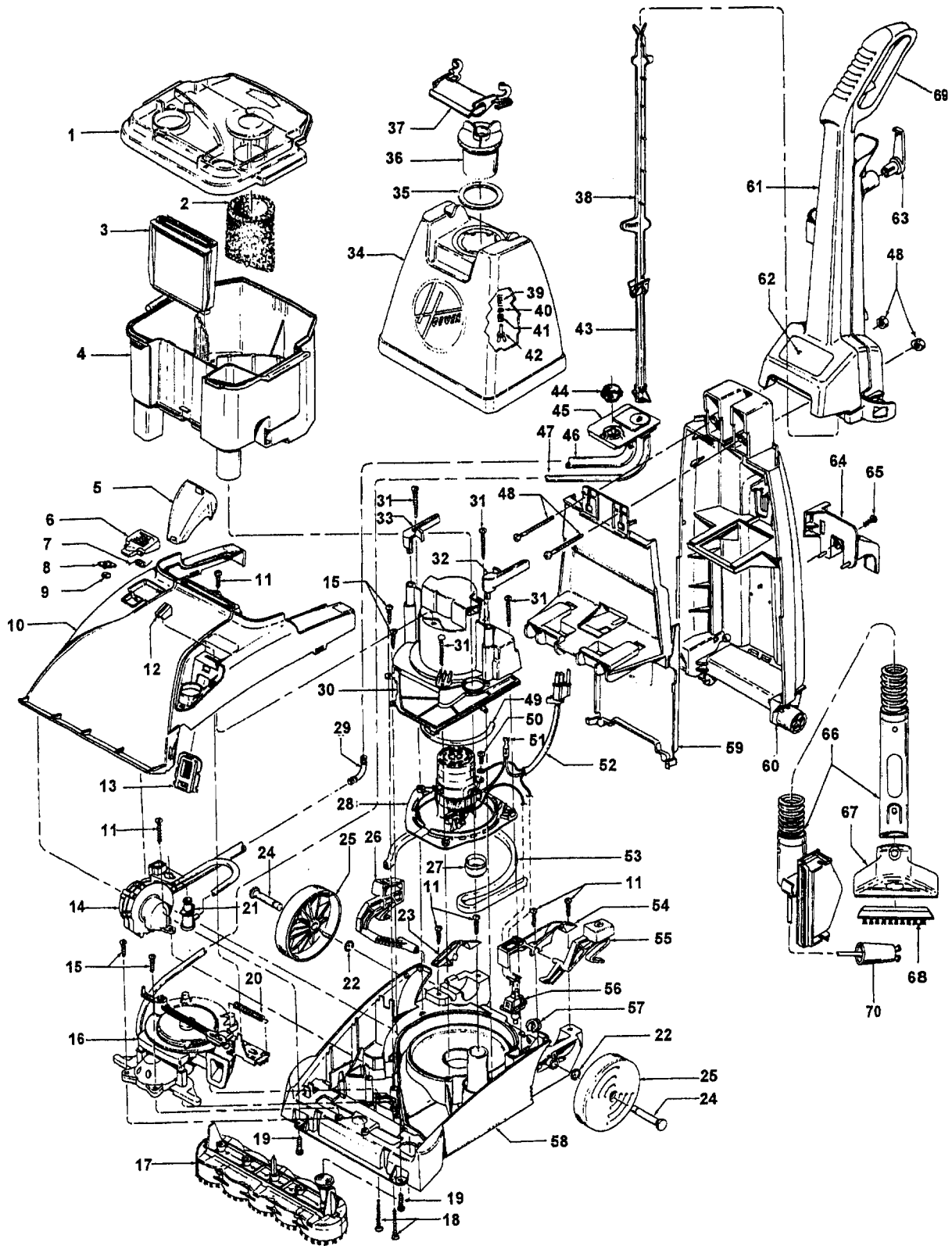


Upright Extractor

Models F5843-900, F5853-900, F5857-900, F5857-990 *, F5858-900, F5858-910, ***F5858-920.
F5860-900, F5860-990 **, F5861-900, F5861-990 *, F5863-900, F5863-990, F5886-900



Upright Extractor

Models F5843-900, F5853-900, F5857-900, F5857-990 *, F5858-900, F5858-910, *F5858-920, F5860-900, F5860-990 **, F5861-900, F5861-990 *, F5863-900, F5863-990, F5886-900**

Ref. No.	Part No.	Description	Ref. No.	Part No.	Description
1	42272111	Recovery Tank Lid Assem. (Incl. It. 2)	52	46583012	Cord - 33' - (use with GS Motor)
2	43611041	Tank Filter		46583044	Cord - 33' - (use with Hoover Motor)
3	38661002	Duct		46583056	Cord - 30' - (use with 12 Amp Motor)
4	38777066	Recovery Tank (Incl. items 1, 3)	53	38781048	Motor Base Seal
5	39383106	Lens	54	36131086	Trunnion Cover - LH
6	37257105	Door (Incl. It. 8, 9) - F5857-900, -990	55	38434025	Switch Actuator Lever
	37257106	Door (Incl. It. 8, 9) - F5853-900, F5860-900	56	28218048	Push ON/OFF Switch
	37257205	Door (Incl. It. 8, 9) - F5861-900, -990	57	36172016	Cord Retainer
	37257208	Door (Incl. It. 8, 9) - F5863-900, -990	58	37272088	Main Body
	37257209	Door (Incl. It. 8, 9) - F5858-900		37272090	Main Body - F5843-900, F5858-910, F5886-900
	37257279	Door (Incl. It. 8, 9) - F5858-910	59	37276001	Handle Cover
	37257102	Door (Incl. It. 8, 9) - ABW - F5843-900	60	39466033	Lower Handle
	37257297	Door (Incl. It. 8, 9) - AG - F5886-900	61	48663181	Upper Handle Assem. (Incl. It. 38, 63, 69)
7	38351017	Spring -Access Door	62	N/A	Nameplate - Upper Handle
8	38783021	Seal	63	39442039	Cord Wrap
9	21362006	* Speed Nut	64	41426030	Tank Rack (Incl. item 65)
10		Note: All Hoods include items 6, 7, 8, and 9	65	21447003	* Screw Self-Tapping
	37271072	Hood - AFC - F5861-900, F5861-990	66	40309007	Hose Assembly (Incl. It. 64, 67, 68, 70)
	37271036	Hood - ABY - F5853-900, F5860-900/990	67	38613040	Nozzle Body (w/ release tab)
	37271088	Hood - ABM- F5857-900, F5857-990	68	48445003	Brush Back Assem.
	37271041	+ Hood - ACF - F5863-900, F5863-990	69	39458005	Handle Lever Guard
	37271065	Hood - Slate Gray - F5858-900	70	43513010	Connector Coupler Sleeve Assem.
	37271072	Hood - AFC - F5858-910			
	37271100	Hood - ABW - F5843-900			
	37271096	Hood - AG - F5886-900			
11	21447020	* Screw - Self Tapping (5)			
12	38421093	Indicator Knob			
13	43613009	Screen Assembly			
14	43582003	Pump Assembly (Incl. It. 21)			
15	21447217	* Screw - Self Tapping (5)			
16	43191001	Turbine and Gear Assem. (Incl. It. 20)			
17	48437022	Brush Block Assem.			
18	21479438	* Screw (2)			
19	21447072	* Screw - Self Tapping (2)			
20	38333009	Spring			
21	43523004	Quick Disconnect Assembly			
22	160017	* Retaining Ring (2)			
23	36131085	Trunnion Cover - RH			
24	32434007	Rear Axle (2)			
25	38522076	Rear Wheel (2)			
26	38458042	Handle Release Lever			
27	38784063	Standpipe Seal			
28	40309008	Motor Kit - Inc. Hoover Motor, Motor Cover and lead wire. Replaces GS Motor's Motor - Hoover Motor			
	43576202	Motor Brush (Hoover Motor ONLY)			
	41311016	+ Motor - 12 Amp - Ametek - F5858-910			
	27212051	Motor - 12 Amp - Hoover - F5843-900, F5886-900			
	43576197	Elbow Connector			
29	33241001	Motor Cover			
30	40309006	* Screw - Self Tapping (4)			
31	21447232	Tank Release Latch - LH			
32	36151029	Tank Release Latch - RH			
33	36151019	Solution Tank- Inc. It. 35,36,37,39,40,41,42			
34	42272134	Gasket			
35	38784062	Solution Tank Cap			
36	42272002	Solution Tank Handle			
37	39457016	Control Rod - Upper			
38	38458031	Spring - Solution Tank			
39	38312014	+* Washer -Brass - used on early models only			
40	21312518	Valve Seal			
41	38784061	Valve Stem - Solution Tank			
42	38717009	Control Rod - Lower			
43	38458033	Solution Tank Seal			
44	38784060	Reservoir Assem. (Incl. It. 44)			
45	43516008	Tubing Assem. (Incl. It. 29,46,47)			
46, 47	40309002	Handle Hardware			
48	40201149	Motor Seal			
49	34113004	+ Screw - Self Tapping			
50	21447240	Insulated Terminal			
51	12227				

Items Not Illustrated

48417003	Bare Floor Cleaning Tool - All models except F5886-900
39514001	Nozzle Clean Out Tool - All models except F5858-910
43412003	Sprayer - F5857-900, F5860-990
48439002	Turbine Nozzle - F5886-900
51638054	Handle Release Label - F5858-900, F5858-910
51638055	* Handle Release Label
51865024	* On / Off Label
51639117	Door Label - Uph. & Stair Cing. Conn. - F5843-900, F5858-900, F5858-910
51639124	* Door Label - Uph. & Stair Cing Conn.
51855032	Agitator Speed Label
38719027	Float Retainer - Recovery Tank Lid
25661016	Float - Recovery Tank Lid
38784070	Seal - Float Retainer

Accessories

57333016	Carpet Cleaning Solution - 16 Oz. - Pre-Cleaner Solution - 16 Oz.
40302016	Bare Floor Cleaner - 32 Oz.
40303032	Carpet Cleaning Solution - 64 Oz.
40301064	

Packaging Material

56518090	Owner Manual
56518119	Owner Manual - F5843-900, F5858-900, F5858-910
58176023	Carton - Common
58313006	Handle Protector
58315006	Rear Support
58332024	+ Bottom Rear Support
58364017	Mid Support
58461019	Front / Rear Support

* Model F5857-990 , F5861-990 are identical to models F5857-900, F5861-900 respectively except for addition of one 64 Oz. bottle of Carpet/Upholstry Cleaner.

** Model F5860-990 is identical to model U5860-990 except for the addition of one 64 Oz. bottle of Carpet /Uph Cleaner, one 16 Oz. Pre Cleaner with sprayer, and one Car Cleaning Tool (38613028)

***Model F5858-920 is identical to the model F5858-900 except for the addition of one 32 oz. bottle of Pre Cleaner w/ sprayer.